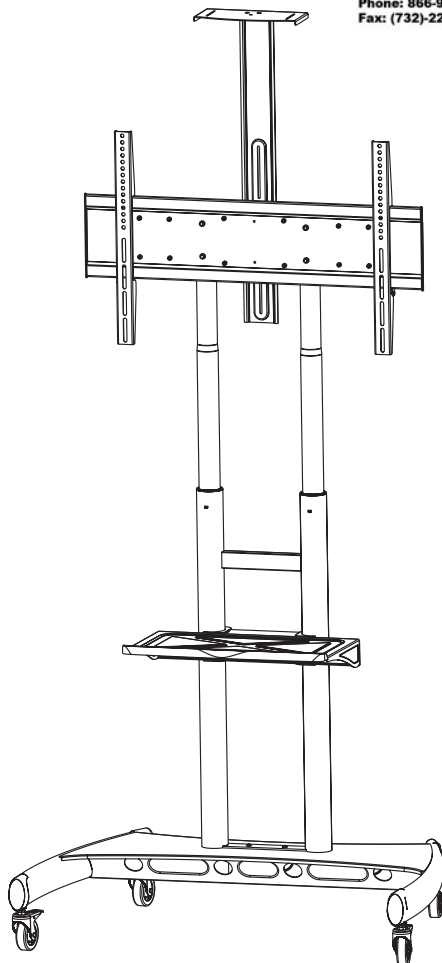


Flat Panel Series Mobile Stand Instructions



205 Westwood Ave, Long Branch, NJ 07740
Phone: 866-94 BOARDS (26273) / (732)-222-1511
Fax: (732)-222-7088 | E-mail: sales@touchboards.com



For TVs between: 55" - 80"
Maximum load capacity: 200 lbs. / 90.9 kg
AV shelf maximum load: 25 lbs. / 11.4 kg
Camera tray maximum load: 10 lbs. / 4.5 kg
VESA: 200x200 - 800x500mm

Table of Contents

Table of Contents and Warnings 2

Part List 3

Assembly and Installation

Post assembly to base installation 4

Install telescopic mounting poles 5

AV shelf assembly and installation 6

Installation of interface 6

VESA mounting patterns 7

Selection of TV mounting patterns 8-9

Mounting TV on pole interface 10

Camera tray installation. 11

Cable and wires installation. 12




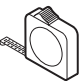




Tools Required

- Phillips Screwdriver

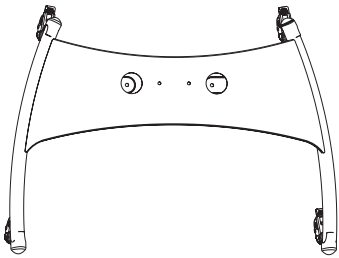
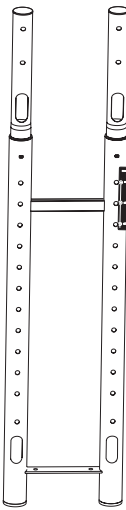
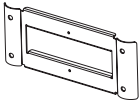
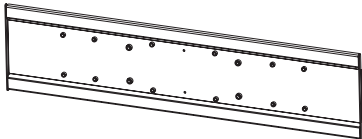


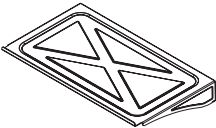



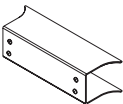


WARNING!

Severe personal injury and property damage can result from improper installation. Read instructions carefully before beginning.

- If you do not understand the instructions or have any concerns please contact a qualified local installer.
- Do not install or assemble if the product or hardware is damaged or missing, if you require replacement parts contact your local dealer.
- This product fits most 55"- 80" LCD/plasma screens; maximum weight for the display is 200 lbs./ 90.9kg; AV shelf max load: 25 lbs./ 11.4 kg; Video tray max load: 10 lbs./ 4.5 kg
- Do not use this product for anything other than what it was originally designed.
- This product contains moving parts, please use caution.
- The manufacturer disclaims any liability for the modifications, improper installation and installation exceeding maximum weight capacity. The manufacturer will not be liable for any damages arising out of the use of, or inability to use the product.

							
Tightening Direction	Loosening Direction	Phillips Screwdriver	Metre Rule	Adjustment	By Hand	Hex Wrench	+ Tightening - Loosening

Part List

F x1 	G x1 	J x1 		
H x1 	K x1 	L x1 		
M x1 	N x1 	PL x1 L 	PR x1 R 	Q x1 
R x2 	S x2 			



A1 x4
M8x25mm



B1 x4
M6x25mm



C1 x4
M5x25mm



D1 x4



E1 x4



A2 x2
M8x20mm



B2 x2
M8x20mm



C2 x4
M8x60mm



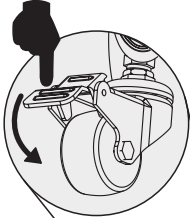
D2 x1
M5



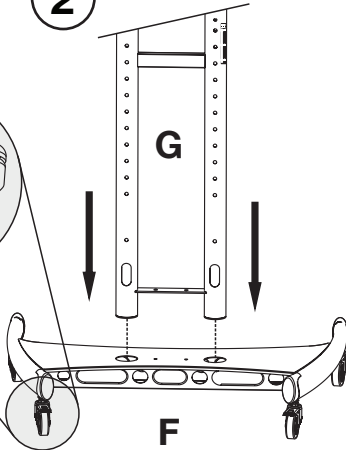
E2 x1
M6

1 Post assembly to base installation

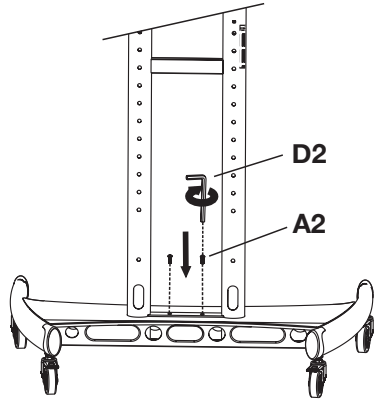
1




2



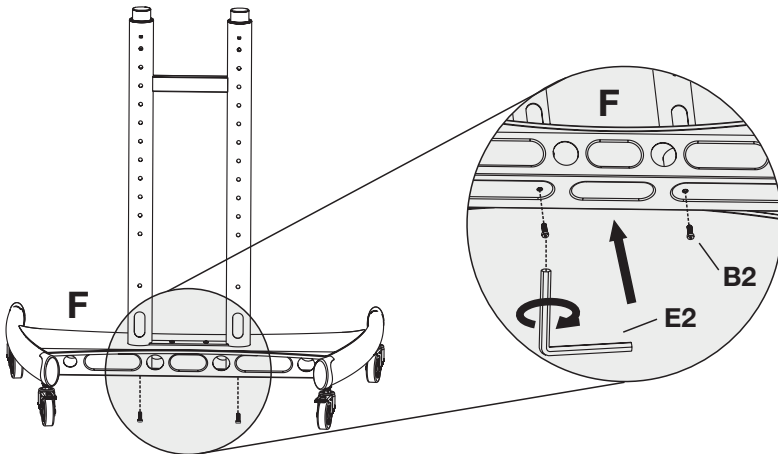
3



Note:
Make sure cables management windows are facing the rear of base.

Caution: 
Ensure screws are secured firmly.

4



2 Install telescopic mounting poles

- 1 Unscrew fastening screw on right lower poles assembly by using E2 (6mm Allen Wrench) from hardware pouch. Put screw aside. As shown in Fig-1.
- 2 Use both hands to grip upper pole right, twist and pull upper pole upward until your desired height. Then twist upper pole again toward plunger holes direction and engaged spring ball into the plunger hole and set. Secure screw firmly as shown in Fig-2.
- 3 Repeat step 2 on left pole assembly
- 4 To re-set height, two people are required. One person to hold up the TV while the second simply unscrews the 2 x fastening screws on left and right lower poles by using E2 (6mm Allen Wrench) and put screws aside. Using both thumbs to depress the 2 spring balls and person holding the TV lower down or raises up the TV to desired height and let plunger set into holes. Secure 2x fastening screws firmly. As shown in fig-2.

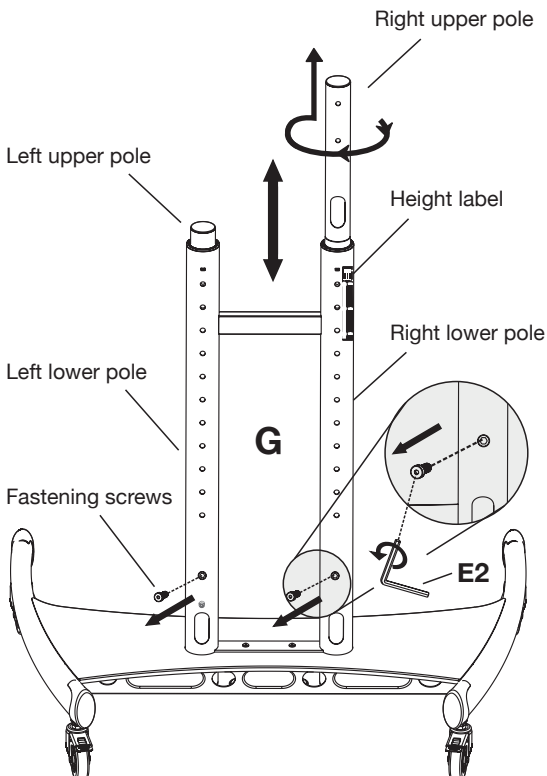


Figure 1

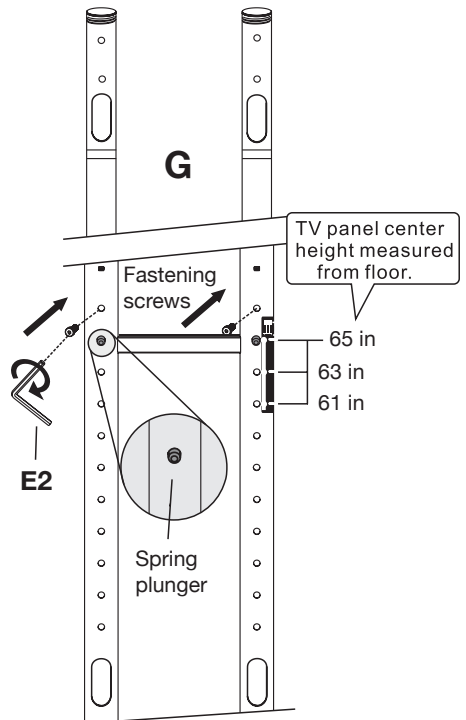
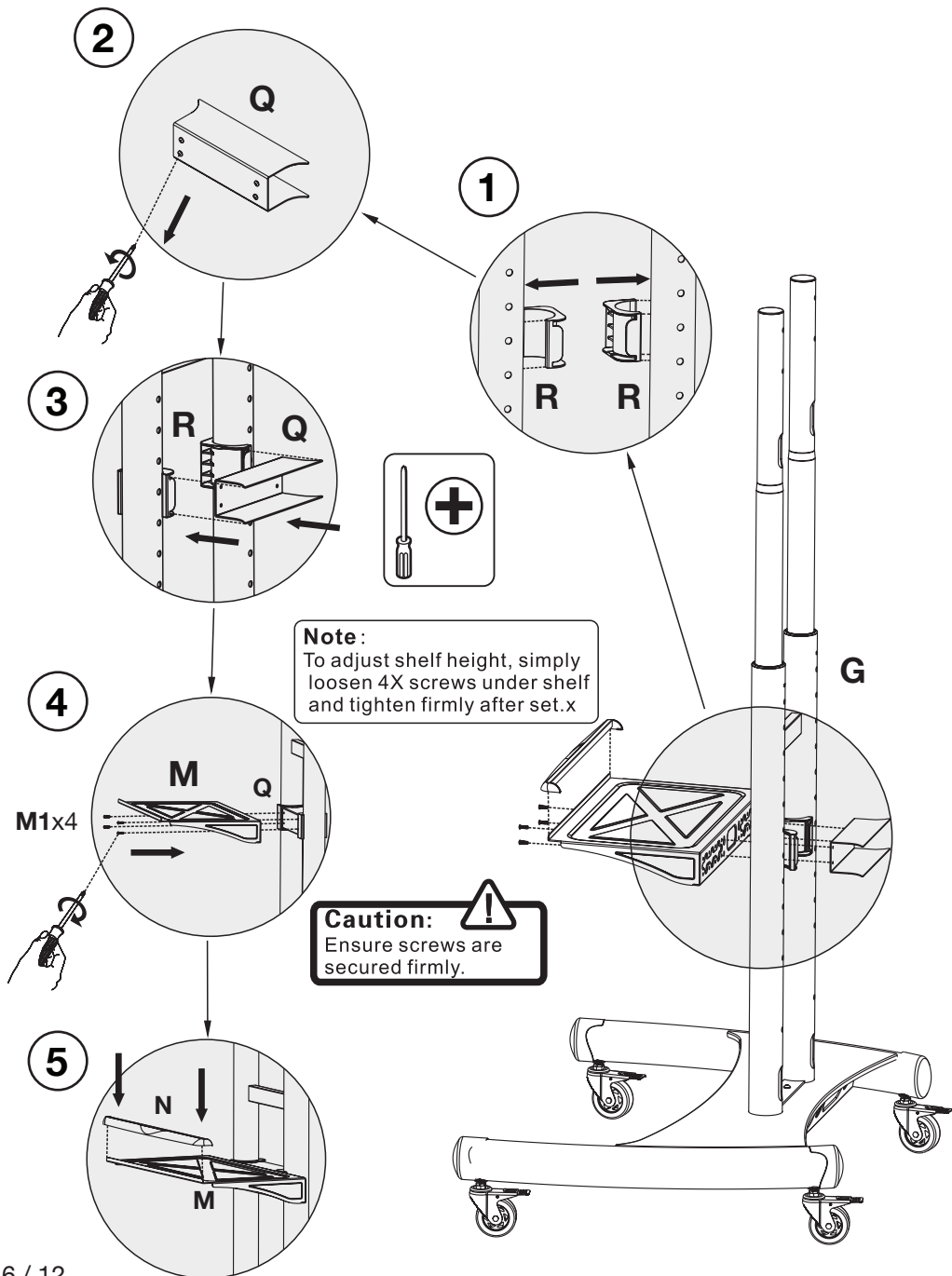
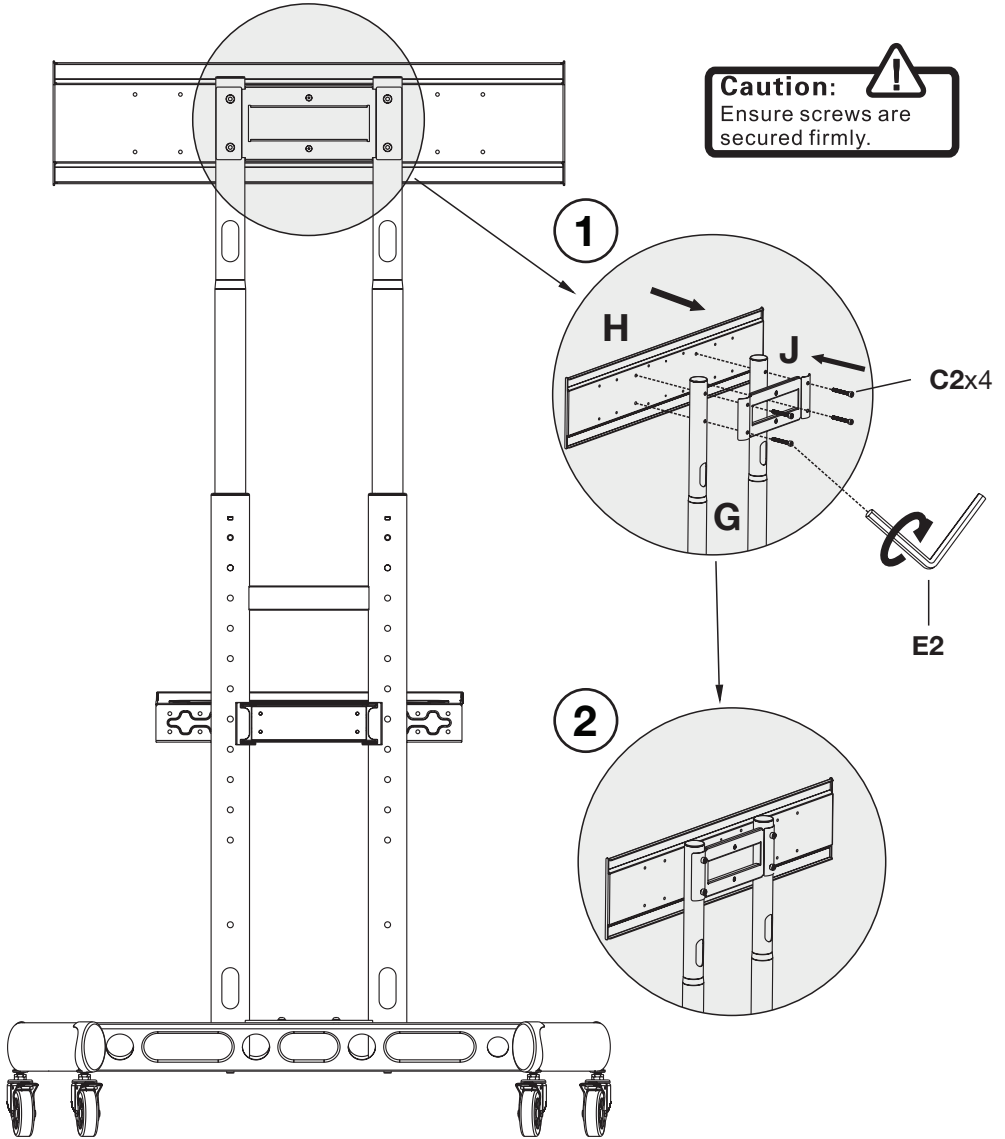


Figure 2

3 AV Shelf assembly and installation

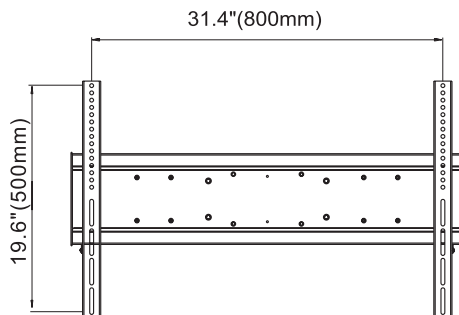
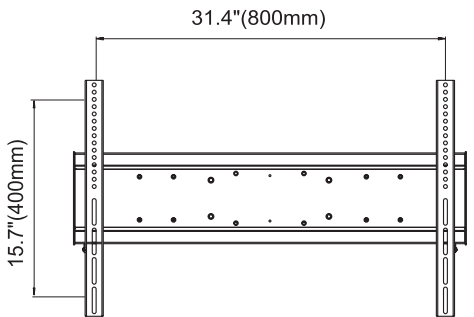
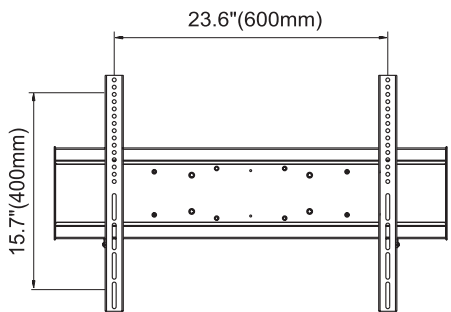
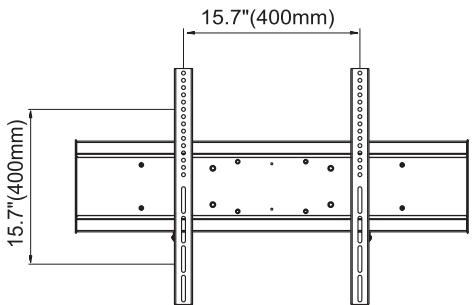
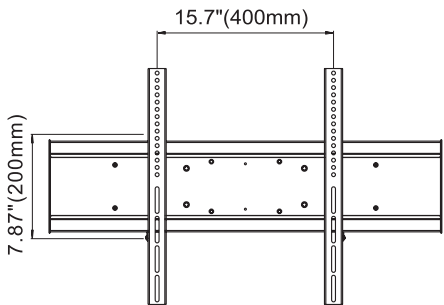
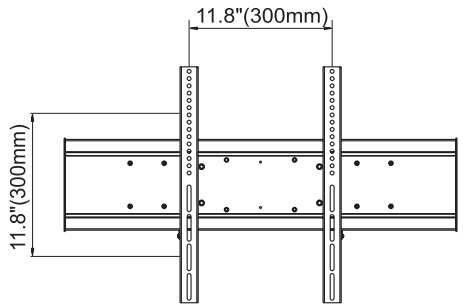
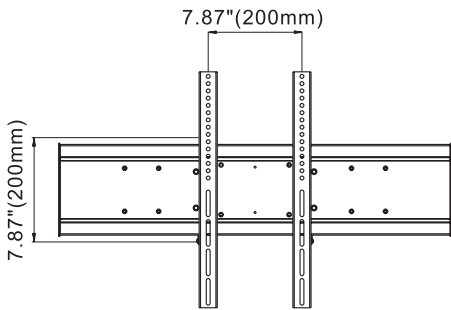


4 Installation of interface



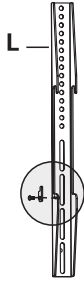
5 VESA Mounting patterns

VESA:200x200-800x500mm



6 Selection of TV mounting patterns

1

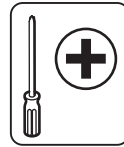
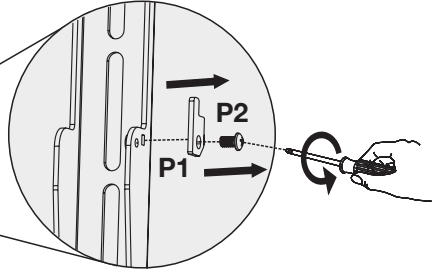


PL

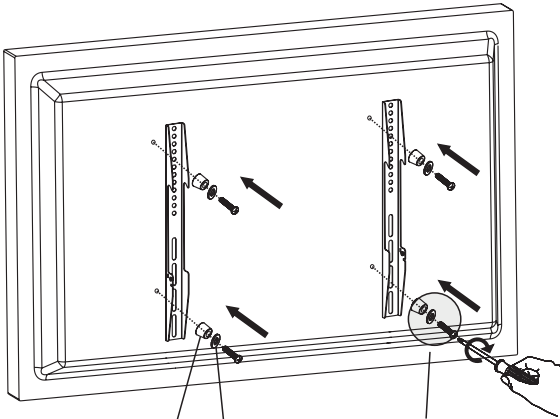
2



PR




3



E1

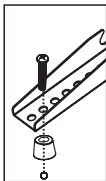
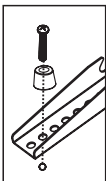
D1

$(B1, C1) + D1 + E1$
 $/ A1 + E1$

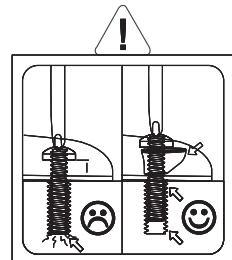
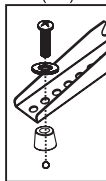
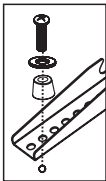
Caution: 
Ensure screws are secured firmly.

NOTE: To avoid damage, the plastic spacer must be used when the mounting hole depth is minimal.

M8×25mm(A1)

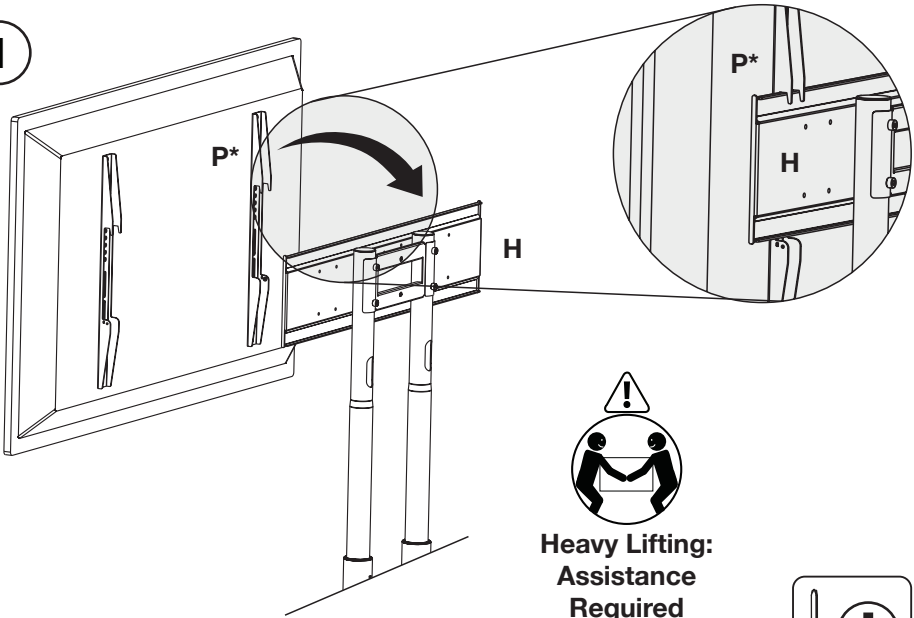


M5×25mm(C1)
M6×25mm(B1)



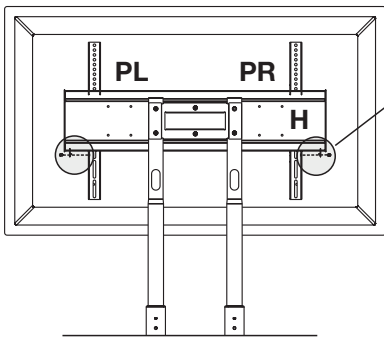
7 Mounting TV on pole interface

1

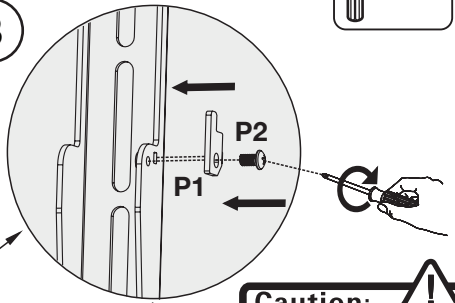


2

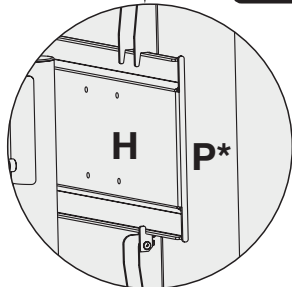
Note:
Moves TV to center.



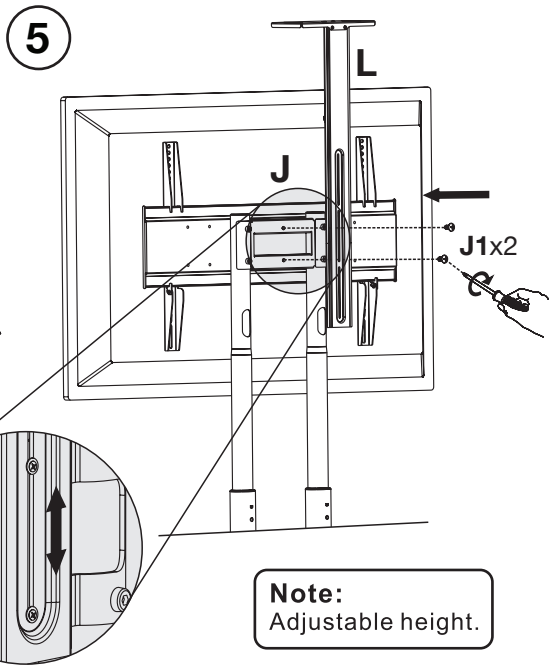
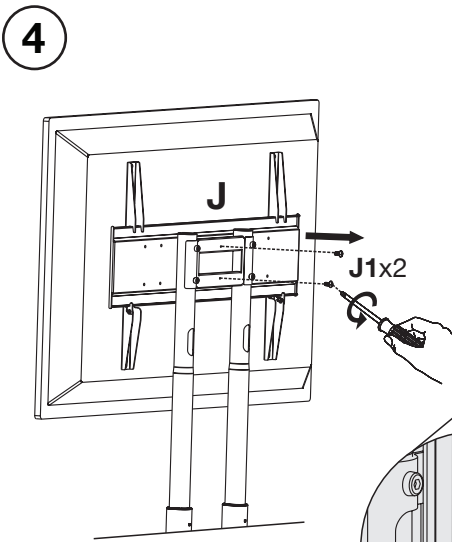
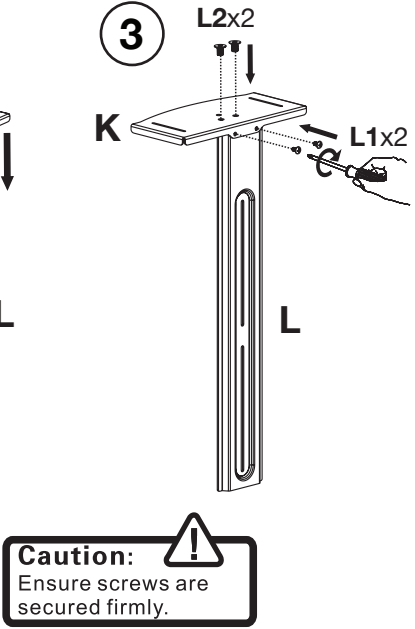
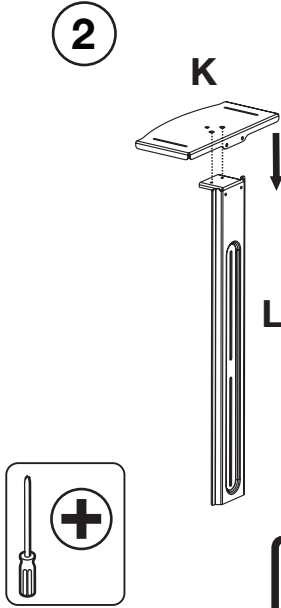
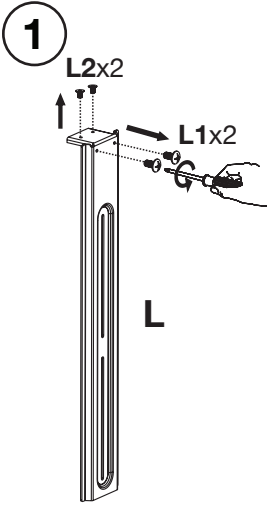
3



Caution:
Ensure screws are
secured firmly.



8 Camera tray installation



9 Cable and wires installation

