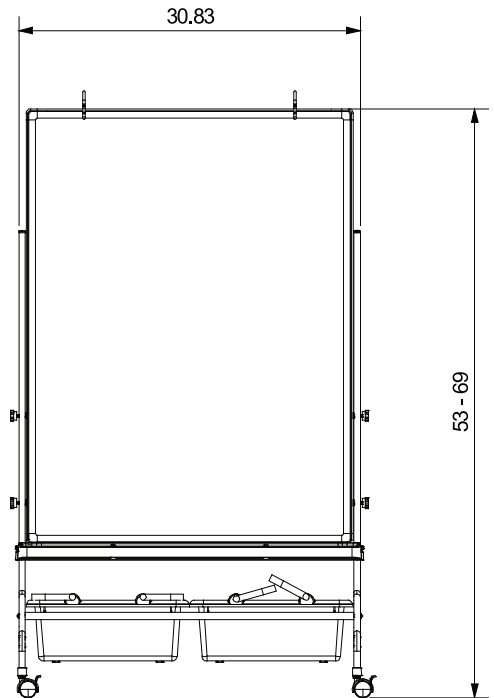
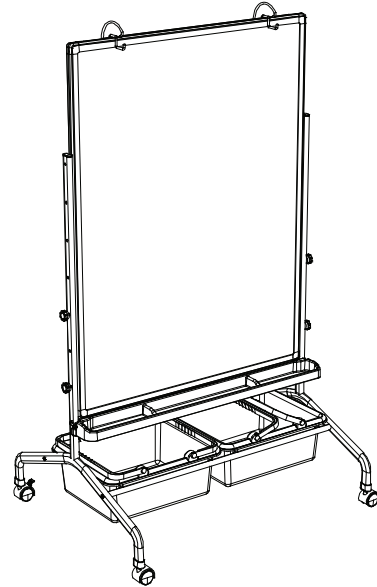


L330 - CHART STAND

Product Specifications:

Item Number	L330
Frame Material	Painted Steel
Frame Dimensions	31" W x 25" D x 53" – 69" H
Height Increment	4"
Board Make	Magnetic Painted Steel
Board Dimension	30" W – 40" H
Tray Make	Plastic
Tray Dimensions	31" W x 4" D
Bins Make (2)	Plastic (PP)
Bin Inside Dimensions	10.25" W x 5" D x 12.75" H
Weight	20 lbs.
Casters	2" furniture casters; two locking brakes
Weight Capacity	20 lbs.
Ship Method	Ground
Shipping Carton Dims	2 cartons; Ctn. 1: 49" W x 38" D x 4" H; Ctn. 2: 15" W x 16" D x 9" H
Shipping Weight	Ctn. 1: 27 lbs.; Ctn. 2: 4 lbs.
Assembly Required	Yes



**To Order, Call Your
Sales Representative or
800-323-4656**