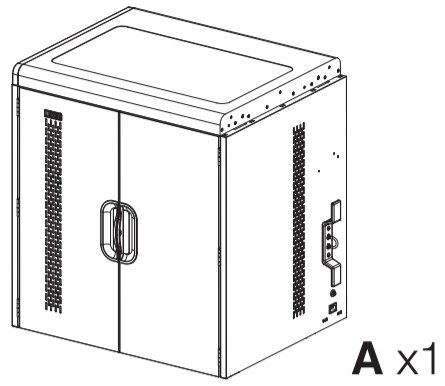


# Charging Cart Assembly Instructions

## Components List



### Components to assemble casters

**B x16** 

Plus Extra

**C x2** 

caster with brake

**D x2** 


caster without brake

**E x1** 

### Components to assemble handles

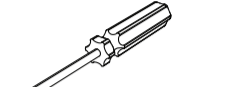
**F x1** 

**G x2** 

**H x1** 

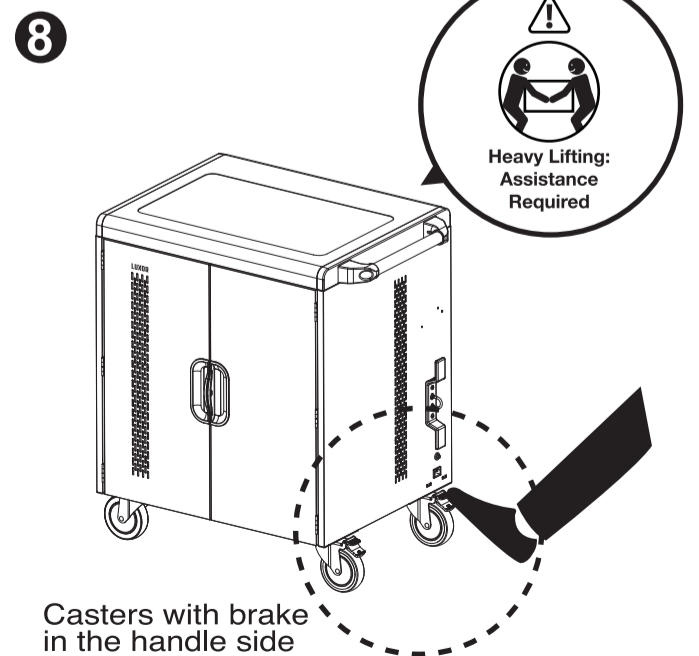
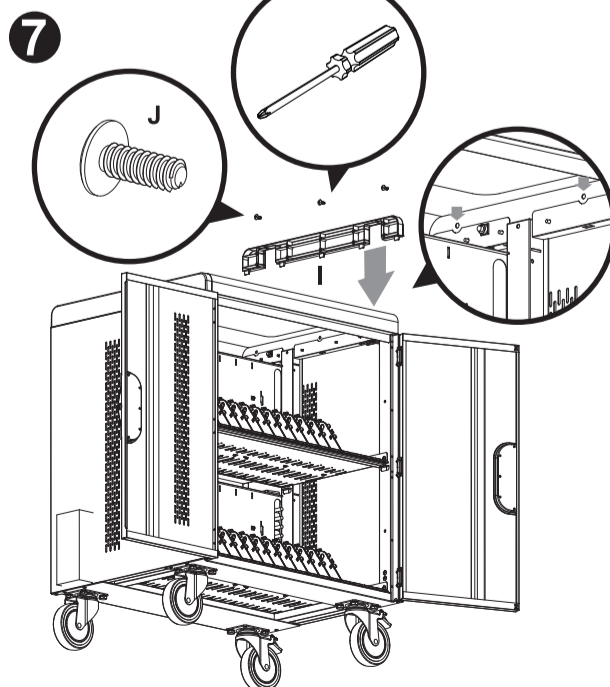
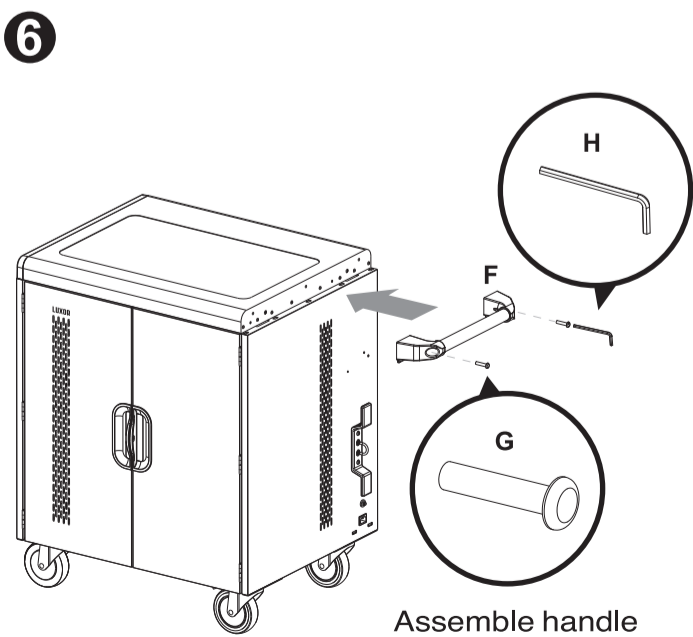
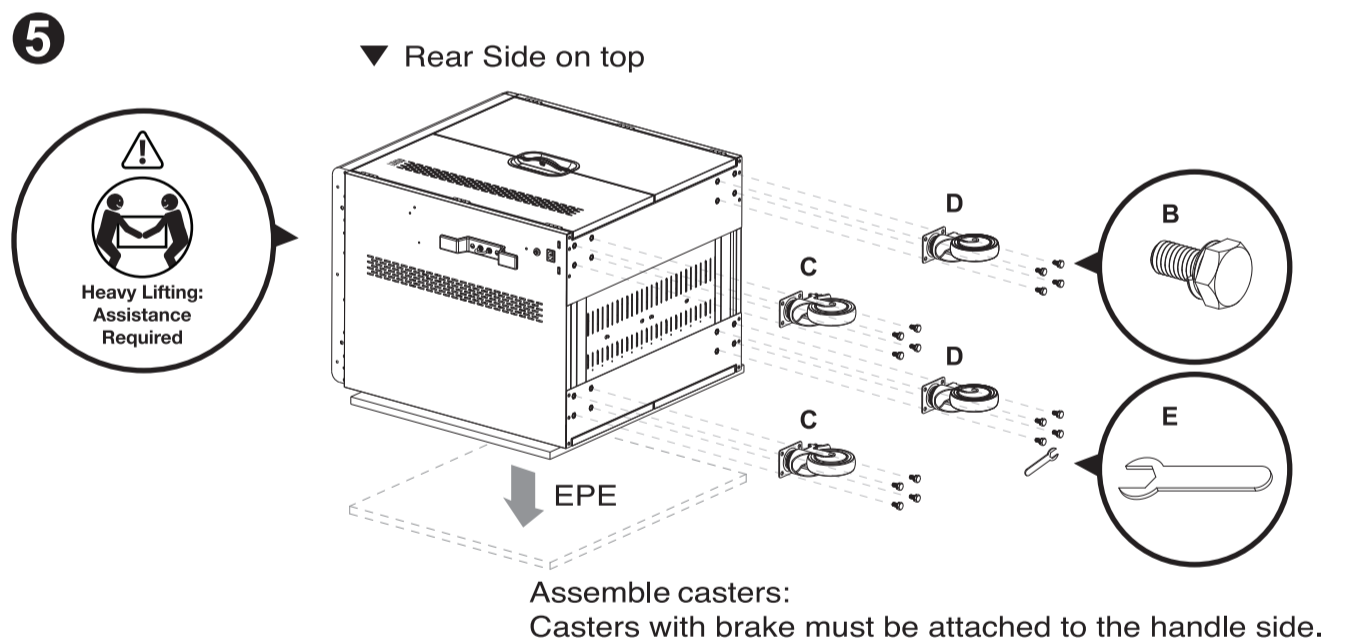
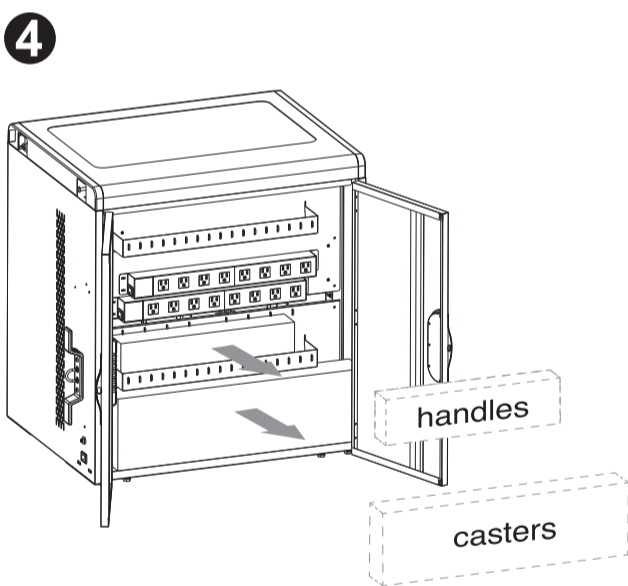
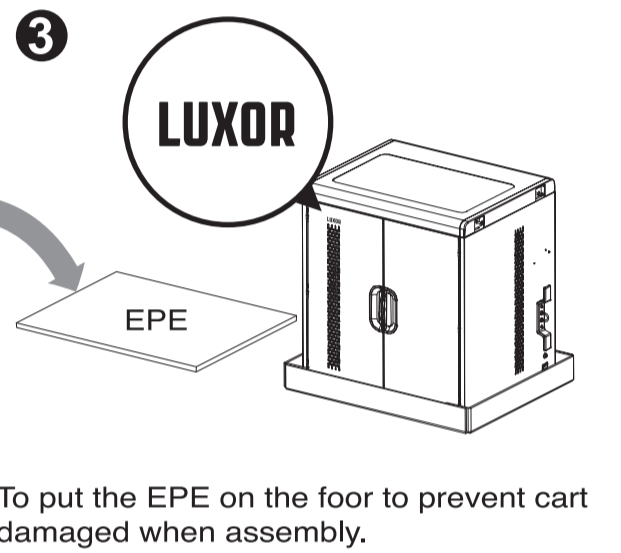
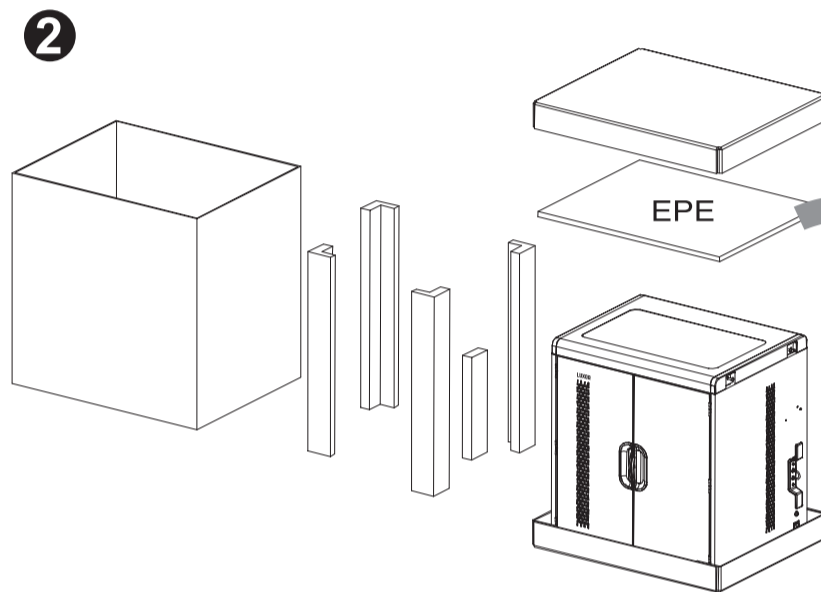
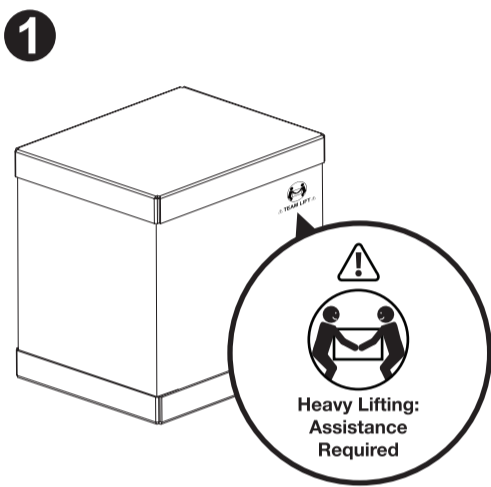
**I x1** 

**J x3** 



Not Included

## Assembly Casters & Handle Step



Assembly completed