

www.luxorfurn.com
www.hwilson.com

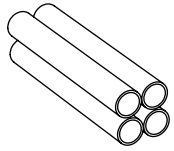
Parts List

Tools Required

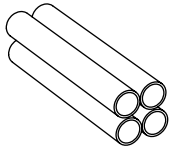
- Rubber Mallet

NOTICE:

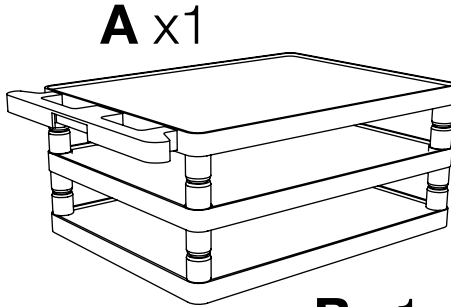
Leg lengths of leg **E** may be shorter than leg **F**



E x4



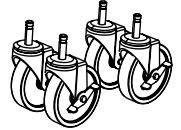
F x4



A x1

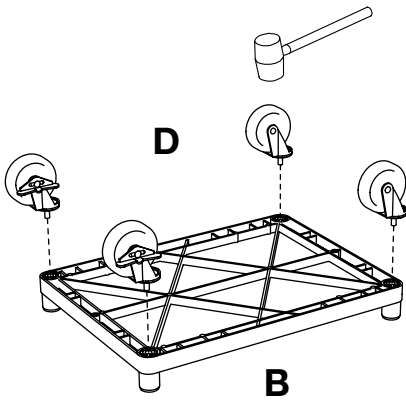
B x1

C x1



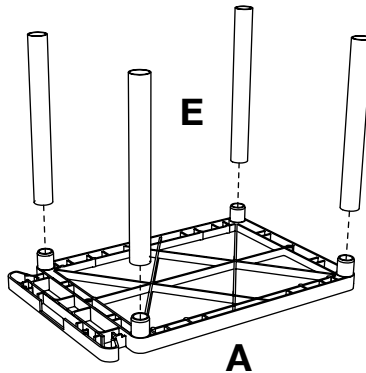
D x4

1

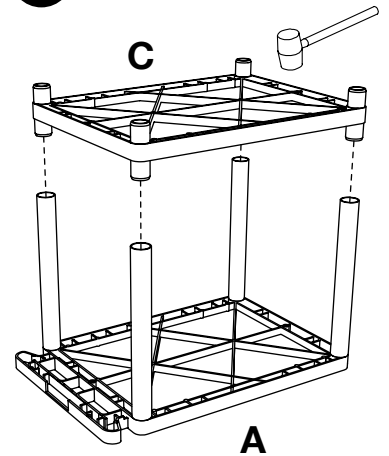


2

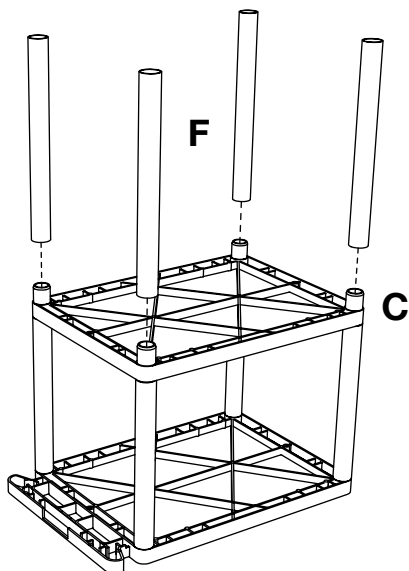
Install optional cabinet pack / pullout shelf / electrical assembly after step 1



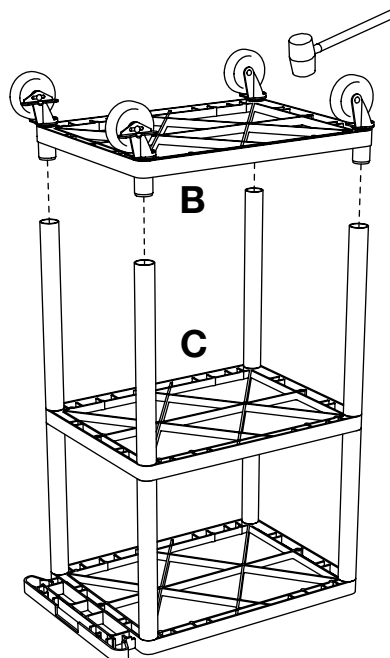
3



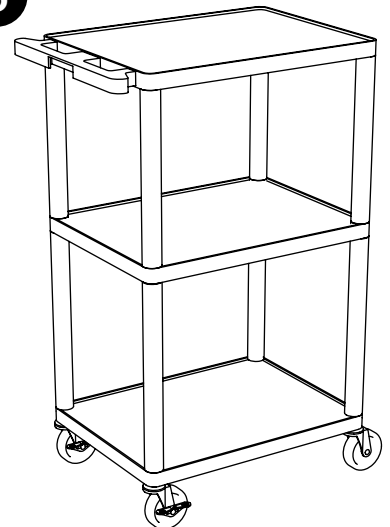
4



5

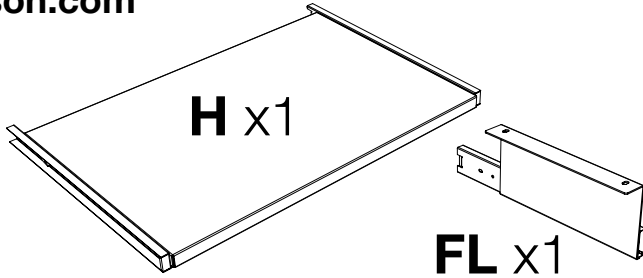


6



www.luxorfurn.com
www.hwilson.com

Parts List



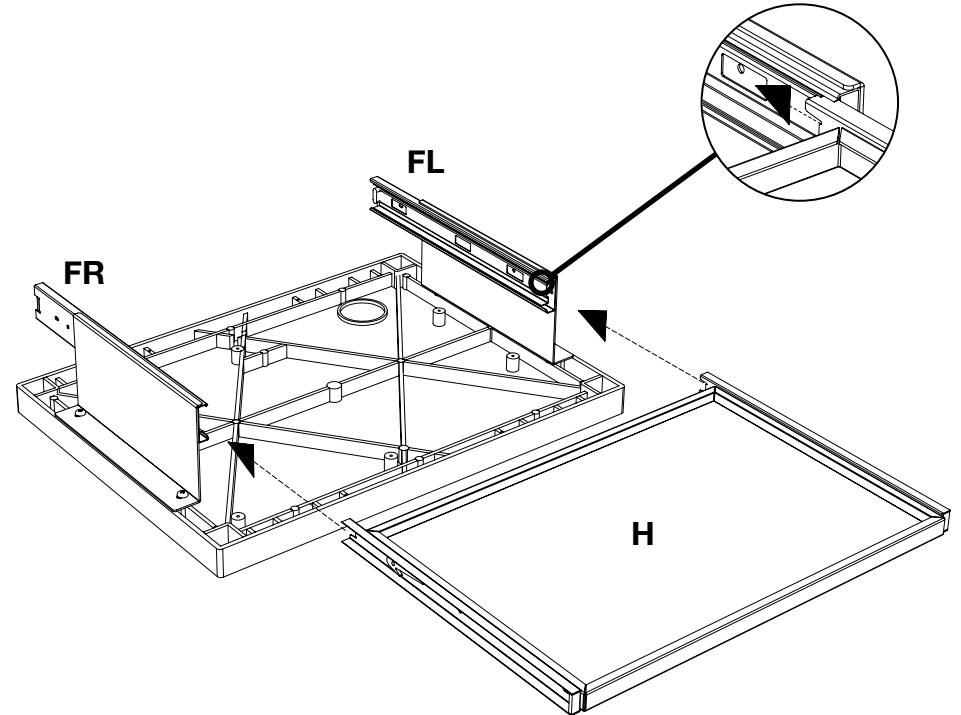
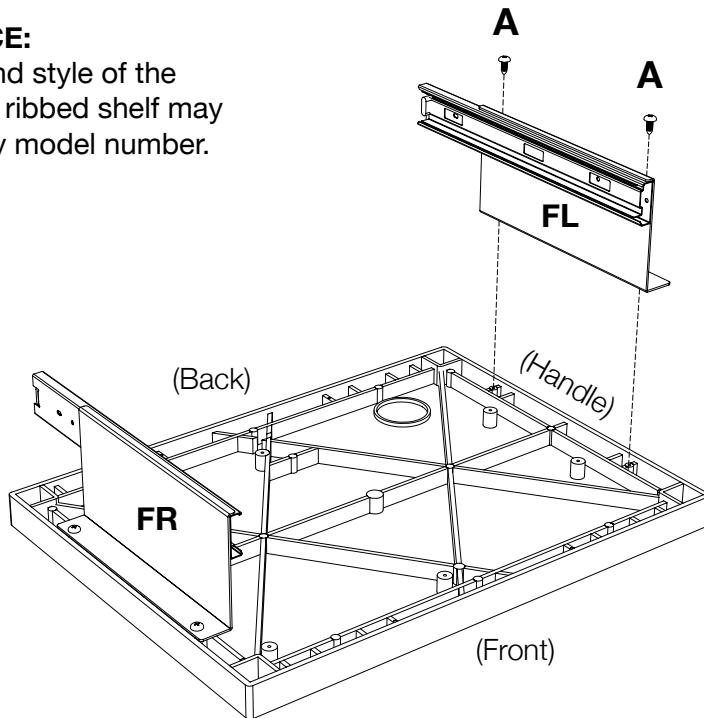
Tools Required

- Phillips Screwdriver



NOTICE:

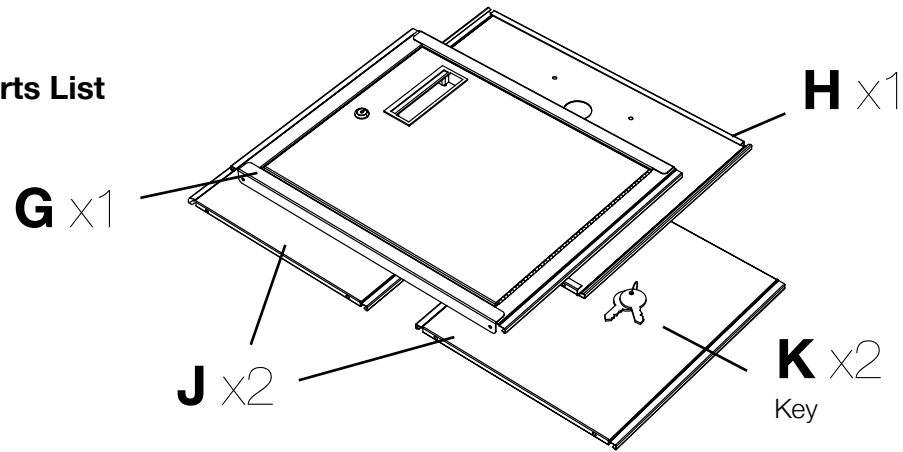
Size and style of the plastic ribbed shelf may vary by model number.



Take the top shelf of your plastic cart and lay it flat. Collect parts: **FL, FR & A**. Align **FR & FL** to the outer holes at the top of the shelf. Take screw **A** and fasten with a screwdriver, do not tighten fully until keyboard is attached.

Collect parts: **H**. Align the pullout shelf **H** runner so that the runner snaps into place into the **FL & FR** brackets. Pull the shelf out to make sure it is fully seated. Tighten screws **A**. Pullout keyboard shelf assembly is now complete.

Parts List



Tools Required

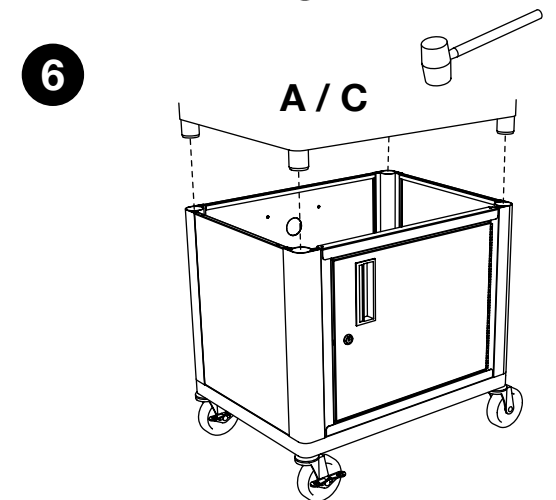
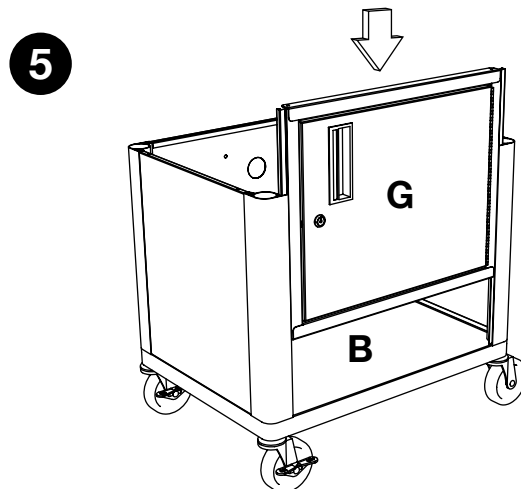
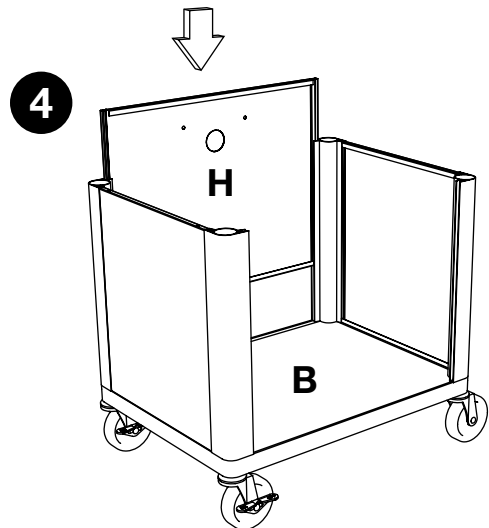
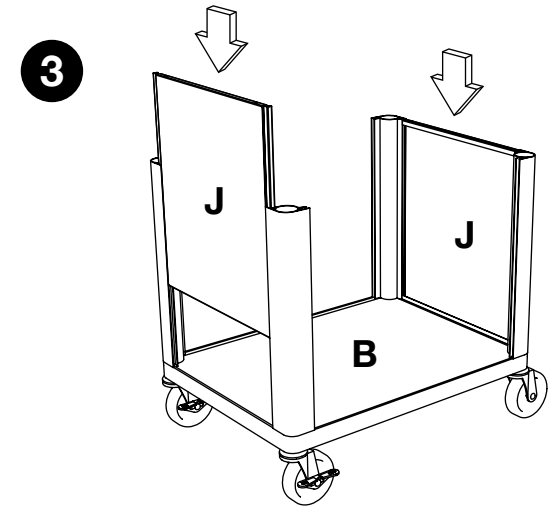
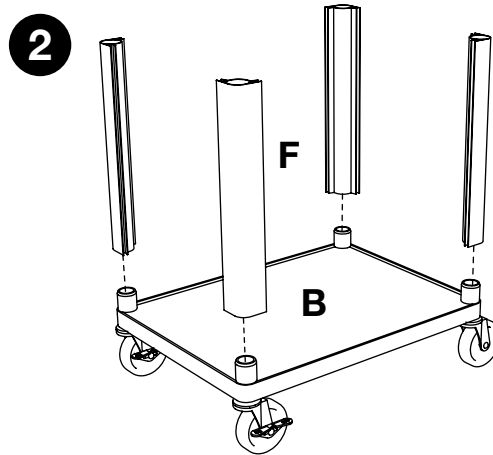
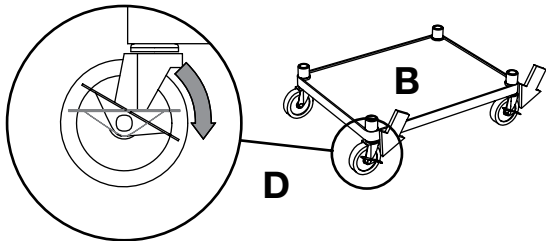
- Rubber Mallet

LP + LE Cart Cabinet

Pack Instructions

Please consult your cart base unit instructions before starting

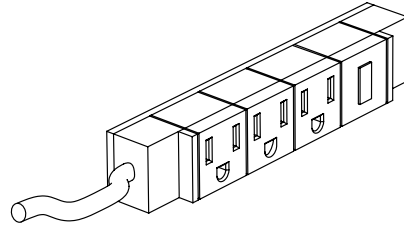
- 1** **IMPORTANT:** Flip shelf **B**, and lock the 2 locking casters **D** before assembling the unit.



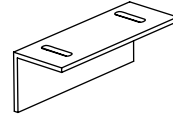
www.luxorfurn.com
www.hwilson.com

LP + LE Electrical Assembly Instructions

Parts List



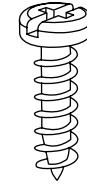
F x1



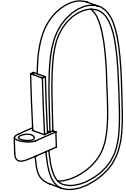
G x1

Tools Required

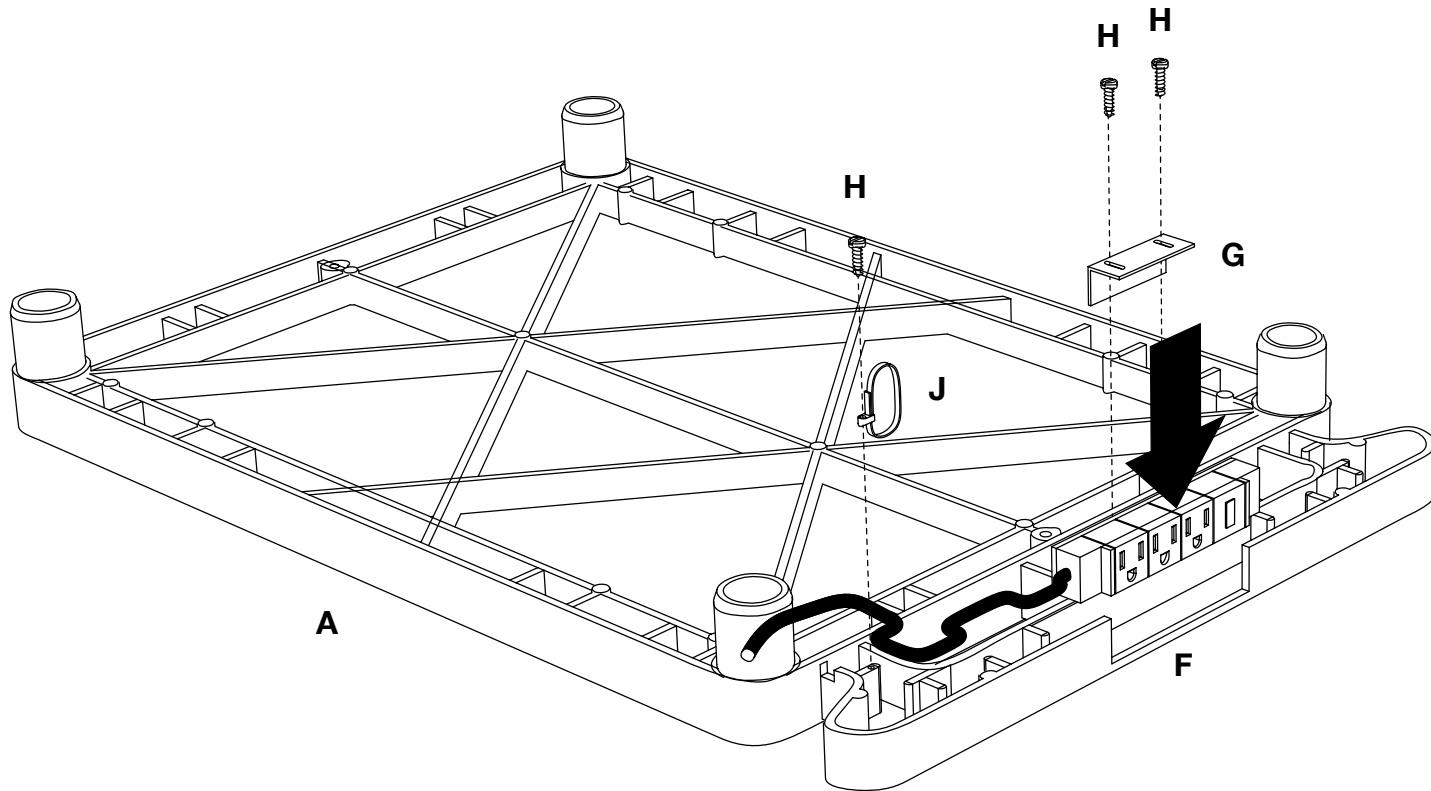
- Philips Screwdriver



H x3



J x1



1

Attach electric outlet **F** to top shelf **A**, secure with L bracket **G** and cable lock **J**. Loop outlet cable **F** through cable lock **J** and the inserts on shelf **A**. Screw L bracket **G** and cable lock **J** onto top shelf **A** with screw **H** and a philips screwdriver.