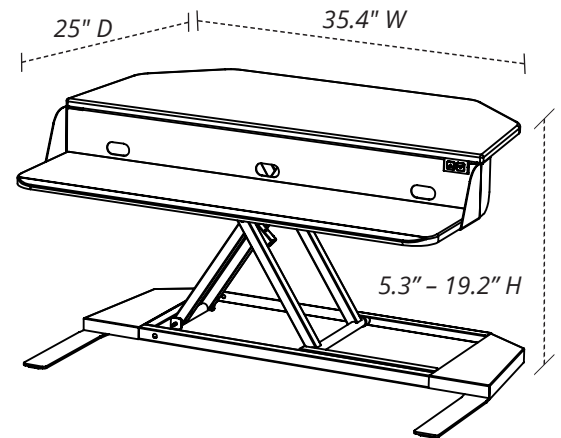


LVLUP EPRO CNR

Electric Level Corner Up Pro Standing Desk Converter

Product Specifications

| | |
|------------------------------------|---|
| Item Number | LVLUP EPRO CNR |
| Desktop Color | Black |
| Frame Color | Black |
| Desktop Materials | Medium Density Fiberboard (MDF) w/ Polyvinyl Chloride (PVC) |
| Frame Material | Steel |
| Overall Dimensions | 35.4" W x 25" D x 5.3" - 19.2" H |
| Top Shelf Dimensions | 35.4" W x 15.6" D |
| Lower Shelf Dimensions | 35.4" W x 9.45" D |
| Distance Between Top & Lower Shelf | 4.25" |
| Height Adjustment Range | Between 5.3" - 19.2" H |
| Height Adjustment Mechanism | Linear Actuator |
| Speed | 12 seconds/up, 12 seconds/down (without load) |
| Actual Weight | 50 lbs. |
| Weight Capacity | 44 lbs. |
| Lift Capacity | 29 lbs. |
| Speed Power Cord Length | 10" |
| Ship Method | Ground |
| Shipping Weight | 57 lbs. |
| Shipping Carton Dims | 39.4" x 29.1" x 6.7" |
| Meets ANSI/BIFMA Standards | Yes |
| Assembly Required | No |



**To Order, Call Your
Sales Representative
or 800-323-4656**