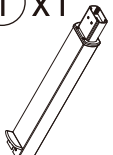
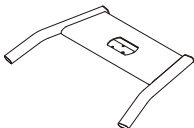


① x1



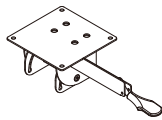
pillar

② x1



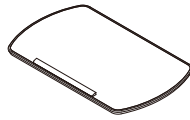
base

③ x1



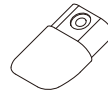
adjustable fitting

④ x1



desk top

⑤ x2



outer plug for legs

⑥ x2



adjustable pads

⑦ x2



casters

Ⓐ x4



washers

Ⓑ x2



screws
(M8x19mm)

Ⓒ x10



screws
(M5x12mm)

Ⓓ x4



screws
(1/4"x15mm)

Ⓔ x1



spanner

Ⓕ x1



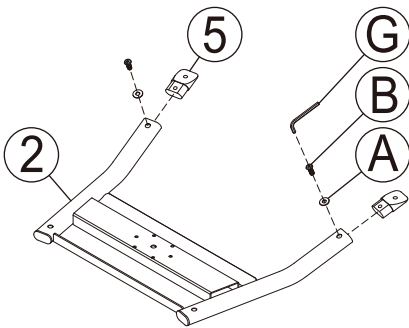
hex key (4mm)

Ⓖ x1

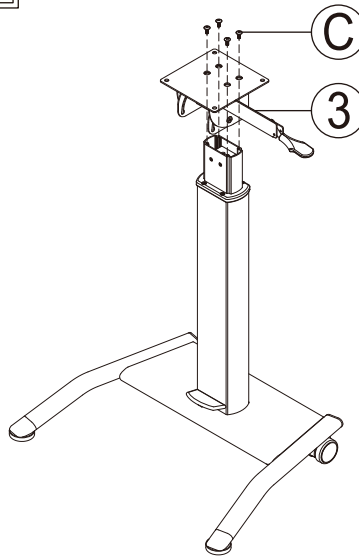


hex key (5mm)

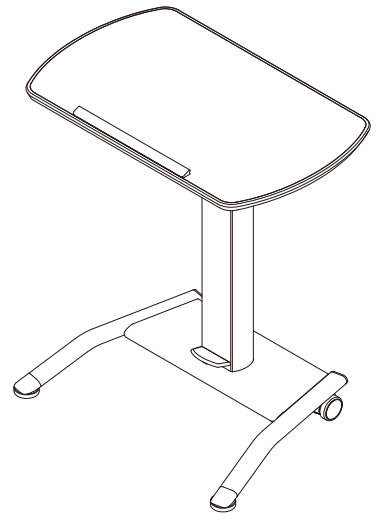
1



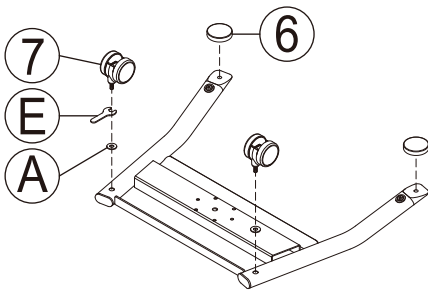
4



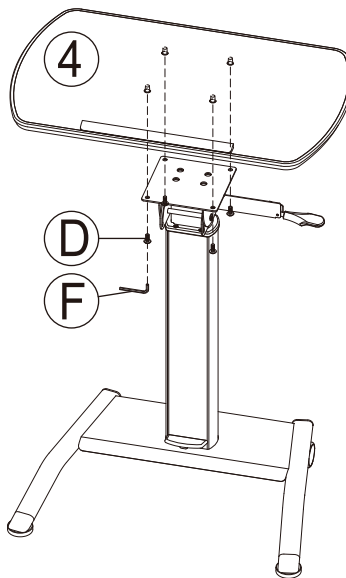
6



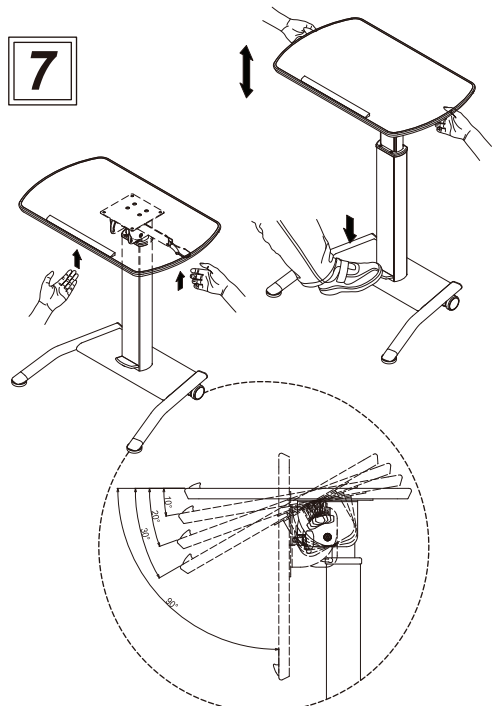
2



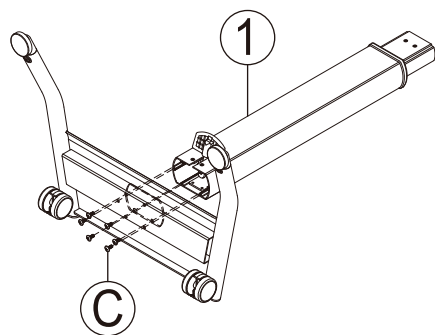
5



7

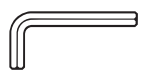


3

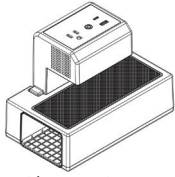


Tools Required:

8mm Hex Wrench



In the Box:

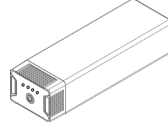


Clamp-On
Desktop Charging Unit

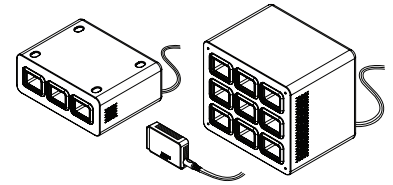


8 mm Hex Wrench

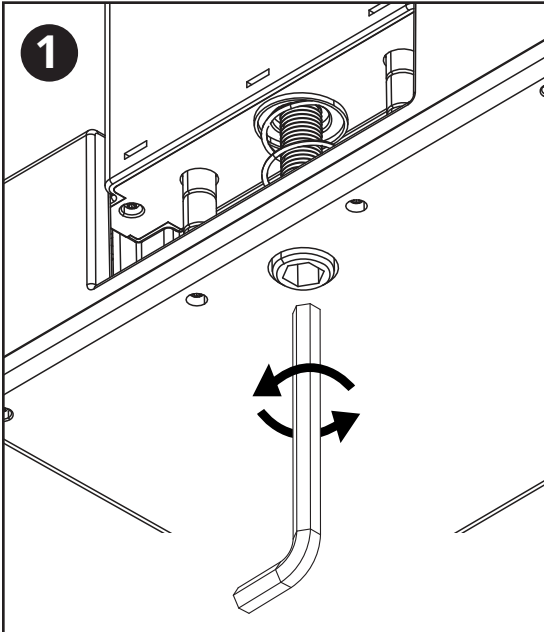
Ships / Sold Separately:



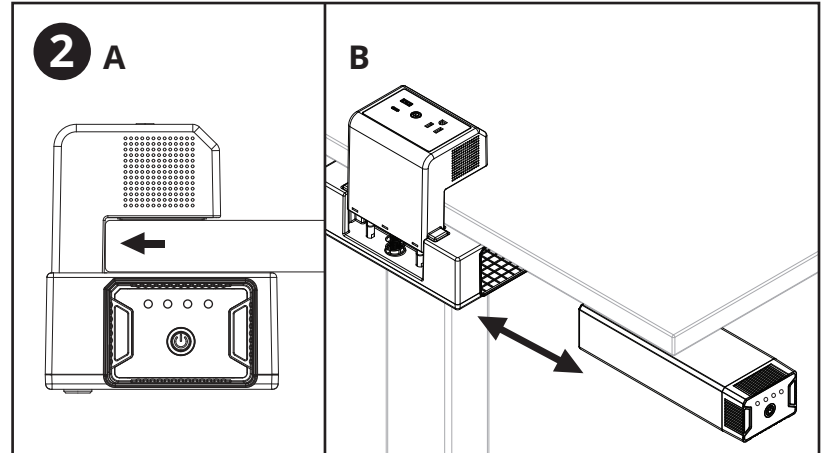
Rechargeable Battery



Battery Charging Options

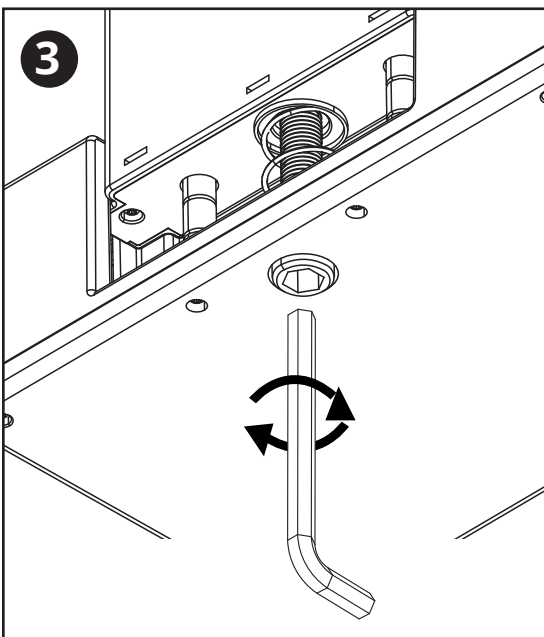


1
Open Clamp-On Desktop Charging Unit
clamp by loosening 8 mm bolt.

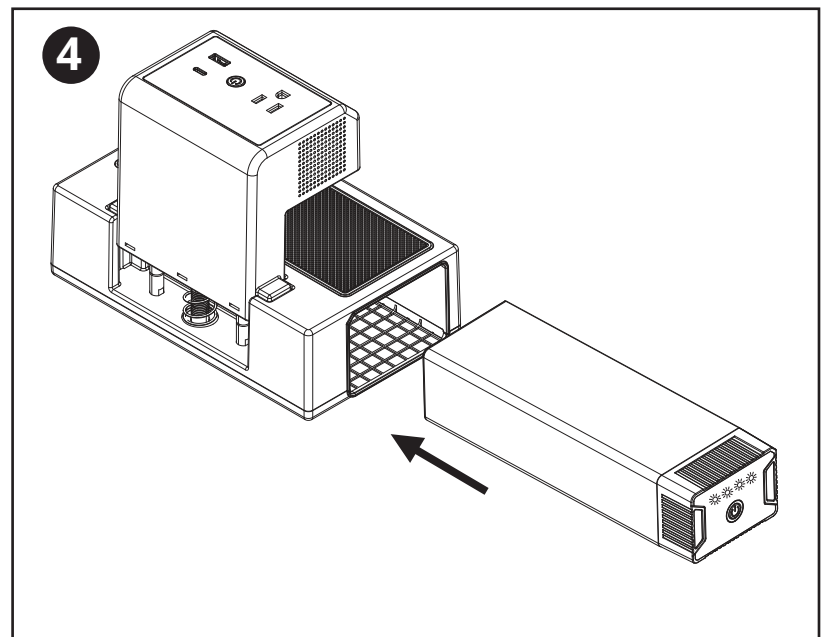


2 Test clamp fit by sliding clamp over edge of desk or table.

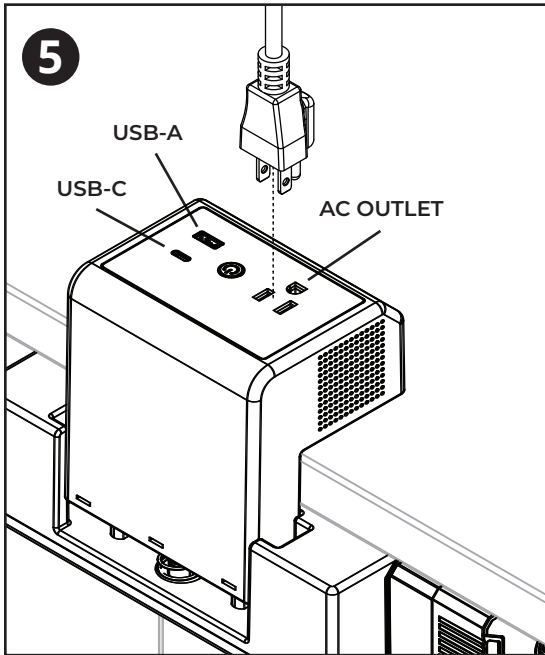
- Ensure outer edge of desk fully reaches inner edge of clamp.
- Ensure there is adequate clearance to insert and remove Rechargeable Battery.



3
Tighten bolt until clamp fits snugly on desk.
IMPORTANT: Do not over-tighten bolt.

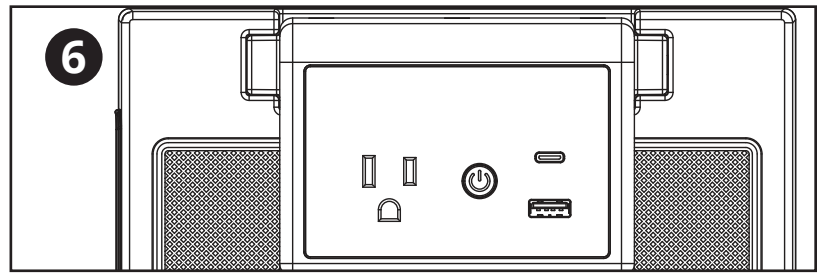



4
Insert Rechargeable Battery into Clamp-On Desktop Charging Unit.
IMPORTANT: Battery must be fully charged before first use.

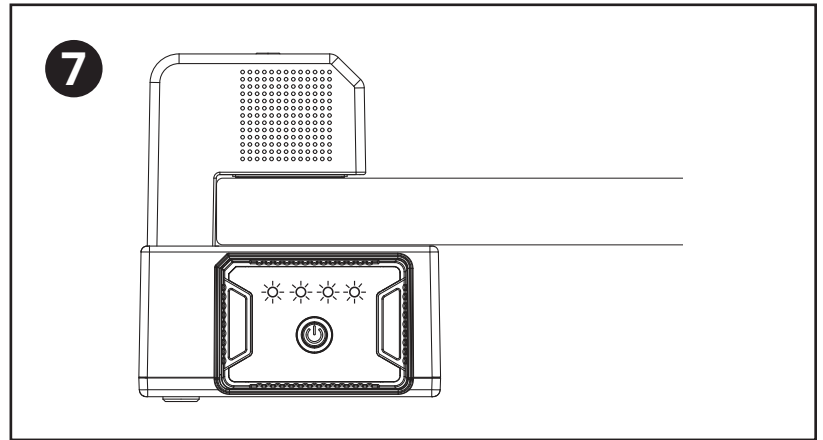



Plug devices into corresponding AC outlet and USB ports.

- USB-C and USB-A ports will immediately begin powering devices.



Press power button  on top of clamp to activate AC outlet.



Press power button  on end of Rechargeable Battery to activate indicator lights and monitor power consumption.

- When only one LED is illuminated on Battery, replace with a fully-charged Battery from Base Charging Station.

IMPORTANT: Plug a maximum of one device into each corresponding outlet/port. Do not use a splitter to plug multiple devices into one outlet and/or port, as this will damage the Rechargeable Battery and Clamp-On Desktop Charging Unit.

TROUBLESHOOTING

Power Button Flashing Green*

1. Reset Clamp-On Desktop Charging Unit by unplugging device(s) and pressing power button.
2. Plug device in again. If power button continues to flash, device is not compatible with EdgePower and should not be used.

*Indicates a safety feature has been triggered by a device.

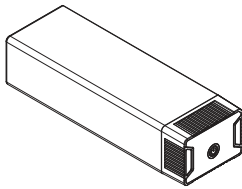
Device Not Charging when Plugged into AC Outlet:

1. Confirm power button has been pressed and green light is on.
2. Check the Rechargeable Battery's indicator lights for power level.
3. Recharge Battery if one or fewer indicator lights are illuminated.

Device Not Charging when Plugged into USB Ports.

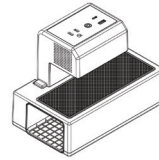
1. Check the Rechargeable Battery's indicator lights for power level.
2. Recharge Battery if one or fewer indicator lights are illuminated.

In the Box:

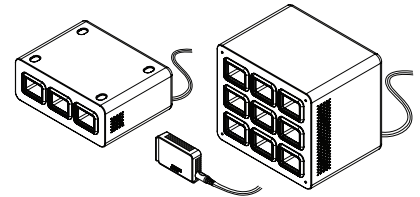


Rechargeable Battery

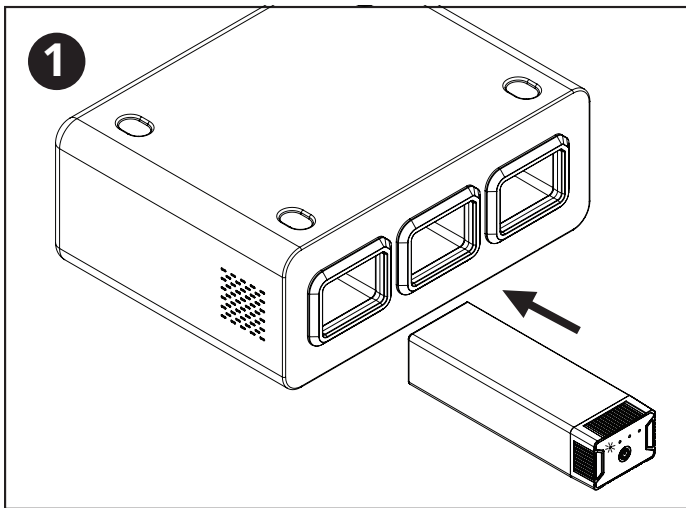
Ships / Sold Separately:



Clamp-On Desktop Charging Unit



Battery Charging Options

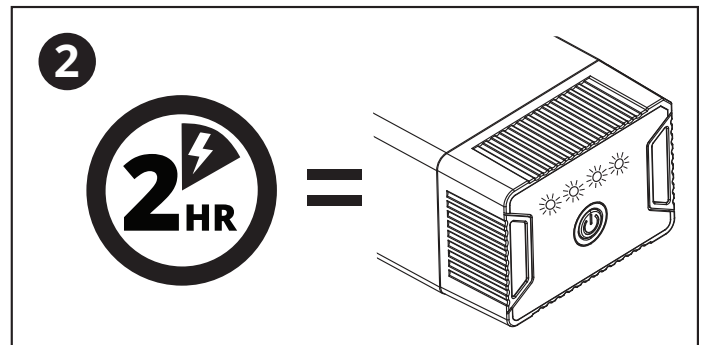


Insert Rechargeable Battery into Base Charging Station.

When fully connected, Rechargeable Battery indicator lights will blink to show charging status.

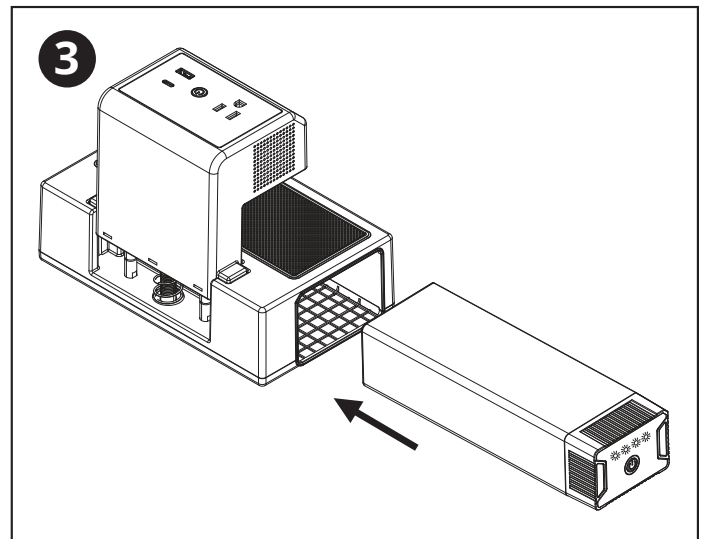
- **1st dot blinking**
= 0 to 24% charged
- **2nd dot blinking, 1st dot solid**
= 25 to 49% charge
- **3rd dot blinking, 1st & 2nd dot solid**
= 50 to 74% charged
- **4th dot blinking, 1st, 2nd, & 3rd dot solid**
= 75 to 99% charged

NOTE: Battery will ship only partially charged and must be fully charged before first use.

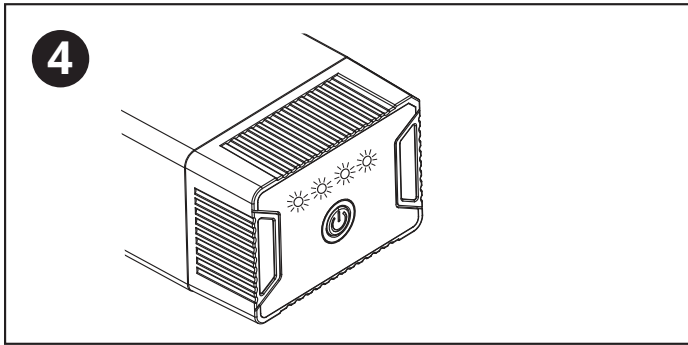


Allow two (2) hours for Batteries to fully charge.

When all four indicator lights illuminate solid, the Battery is fully charged.



Remove fully-charged Battery from Base Charging Station and insert into Clamp-On Desktop Charging Unit.



Press power button  on end of Rechargeable Battery to activate indicator lights and monitor power consumption.

- When only one LED is illuminated on Battery, recharge using a Base Charging Station.

TROUBLESHOOTING

Indicator lights not illuminating*

1. Ensure Base Charging Station is fully plugged in and power switch is turned on.
2. Ensure Rechargeable Battery is properly connected to Base Charging Station.
3. If steps 1 and 2 do not work, contact customer service.

*Indicates Rechargeable Battery is not charging when inserted into Base Charging Station.

SAFETY AND CARE

- Fully charge Battery before first use.
- Fully charge Battery at least once every three (3) months to maintain good battery health.
- Keep Battery away from spills and moisture.
- Never store Battery in a high-humidity environment.
- Cannot be used by children without adult supervision.
- Do not use if Battery is damaged.
- Properly dispose of a damaged or end-of-life Battery based on local laws and regulations, and recycle if possible.

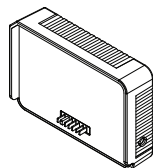
SPECIFICATIONS

- **Warranty:** Limited 1-year
- **Output:** 146.52 Wh
- **Cells:** 18 at 2,200mAh, 3.7V each
- **Indicator lights:** Shows 25%, 50%, 75%, and fully-charged
- **Power switch:** Turns indicator lights on and off
- **Designation:** UN 3480 (primary lithium batteries — forbidden for transport aboard passenger aircraft)

In the Box:

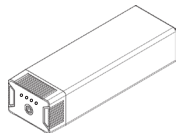


Power Cord

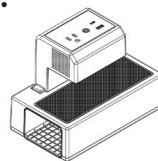


Single Battery Charger

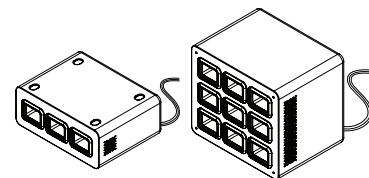
Ships / Sold Separately:



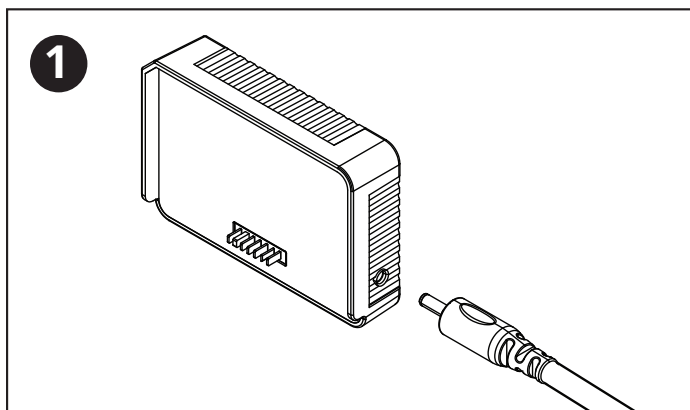
Rechargeable Battery



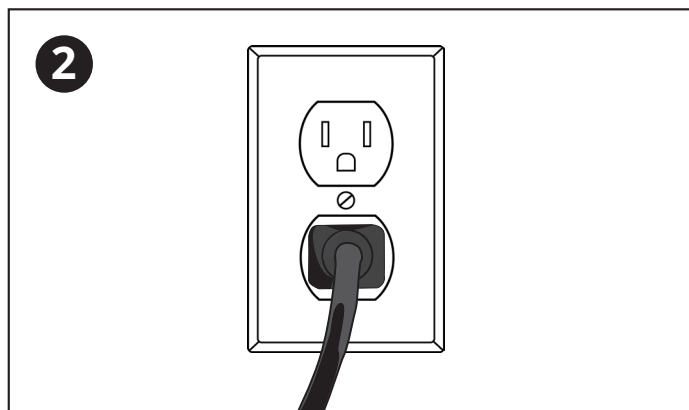
Clamp-On
Desktop Charging Unit



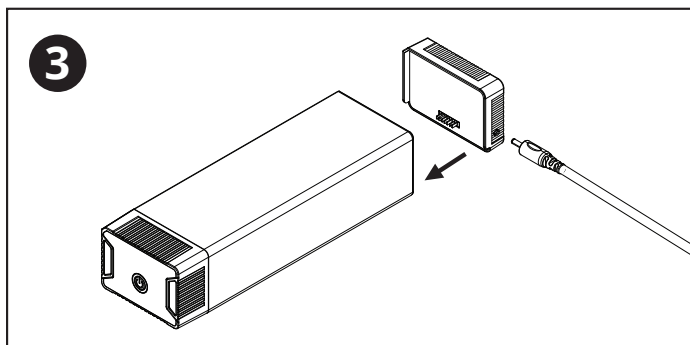
Battery Charging Options



1 Plug male end of power cord into Single Battery Charger.



2 Plug power cord into available AC wall outlet.

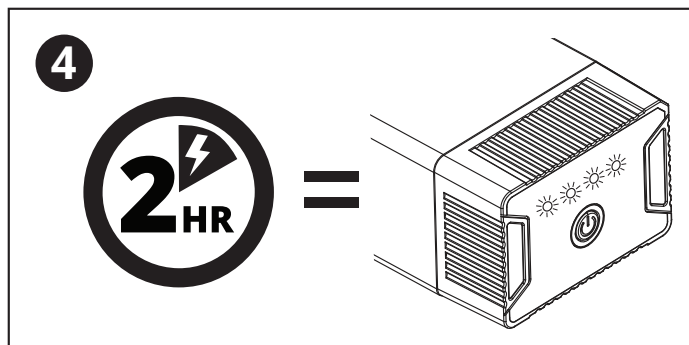


3 Connect Rechargeable Battery to Single Battery Charger.

When fully connected, Rechargeable Battery indicator lights will blink to show charging status.

- **1st dot blinking**
= 0 to 24% charged
- **2nd dot blinking, 1st dot solid**
= 25 to 49% charge
- **3rd dot blinking, 1st & 2nd dot solid**
= 50 to 74% charged
- **4th dot blinking, 1st, 2nd, & 3rd dot solid**
= 75 to 99% charged

NOTE: Batteries will ship only partially charged and must be fully charged before first use.



4 Allow two (2) hours for Battery to fully charge.

When all four indicator lights illuminate solid, the Battery is fully charged.

TROUBLESHOOTING

Indicator lights not illuminating*

1. Ensure Single Battery Charger is fully plugged in and connected to Battery.
2. If step 1 does not work, contact customer service.

*Indicates Rechargeable Battery is not charging when connected to Single Battery Charger.