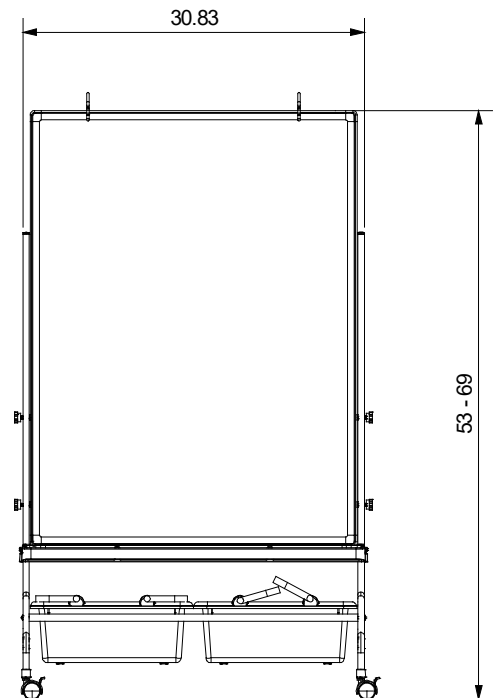
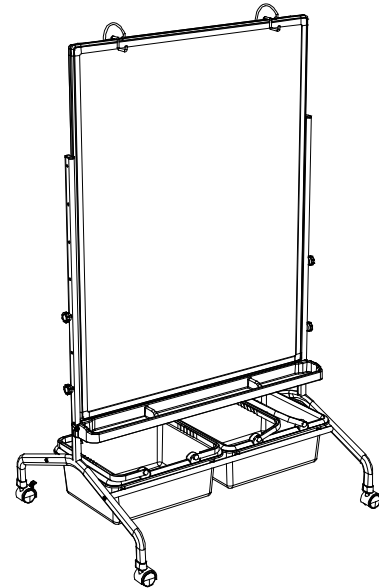


MB3040WBIN

Mobile Bin System - Double Row - Clear

Product Specifications

Item Number	MB3040WBIN
Frame Material	Painted Steel
Frame Dimensions	31" W x 25" D x 53"- 69" H
Height Increment	4"
Board Make	Magnetic Painted Steel
Board Dimensions	30" W - 40" H
Tray Make	Plastic
Tray Dimensions	31" W x 4" D
Bin Make (2)	Plastic (PP)
Bin Inside Dimensions	10.25" W x 5" D x 12.75" H
Weight	20 lbs.
Casters	2" furniture casters; two with locking brakes
Weight Capacity	20 lbs.
Shipping Method	Ground
Shipping Carton Dims	2 cartons; Ctn.1: 49" W x 38" D x 4" H Ctn.2: 15" W x 16" D x 9" H
Shipping Weight	Ctn. 1: 27 lbs. Ctn. 2: 4 lbs.
Assembly Required	Yes



To Order, Call Your
Sales Representative
or 800-323-4656