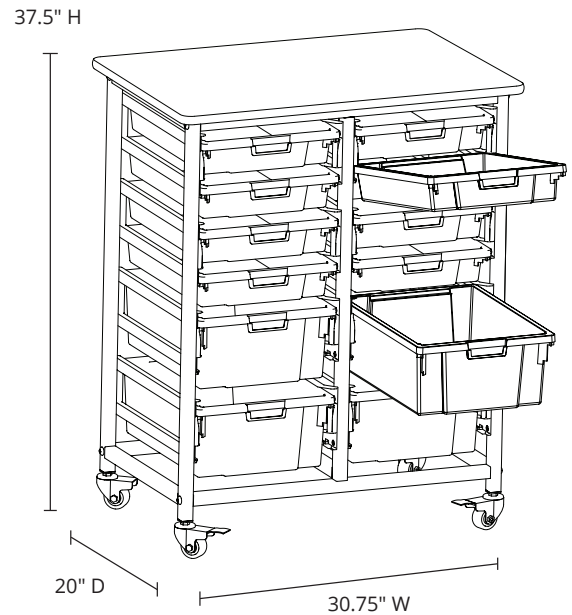


MBS-DR-8S4L-CL

Mobile Bin System - Double Row - Clear

Product Specifications

Item Number	MBS-DR-8S4L-CL
Full Dimensions	30.75" W x 20" D x 37.5" H
Table Top Material	Particle board with laminate top
Table Top Dimensions	30.75" W x 20" D x 0.75" H
Table Top Color	Light Gray
Frame Materials	Steel
Frame Color	Dark Gray
Bin Material	Polypropylene
Bin Color	Clear
Bin Quantity	12 (8 Small; 4 Large)
Bin Dimensions	Small: 12.25" W x 16.75" D x 3" H Large: 12.25" W x 16.75" D x 6" H
Ticket Insert Size	Fits standard lables
Casters (4)	1" casters; two casters include locking brakes
Weight Capacity	20 lbs. per bin
Item Weight	55.4 lbs.
Shipping Method	Ground
Shipping Carton Dims	3 cartons; Ctn.1: 35" W x 21" D x 8" H Ctn.2: 13" W x 18" D x 13" H Ctn.3: 13" W x 18" D x 14" H
Shipping Weight	74 lbs. Ctn. 1: 46 lbs. Ctn. 2: 17 lbs. Ctn. 3: 14 lbs.
Assembly Required	Yes



To Order, Call Your
Sales Representative
or 800-323-4656