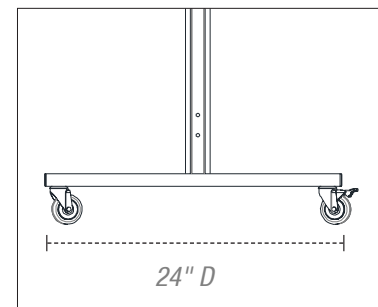
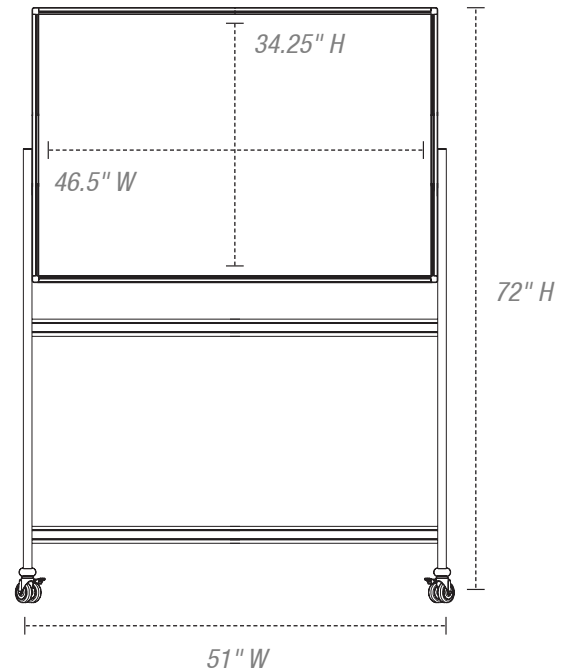


## MMGB4836M – SPEC SHEET

# MMGB4836 – DOUBLE-SIDED MOBILE MAGNETIC GLASS MARKER BOARDS

## Product Specifications

<b>Item Number</b>	MMGB4836
<b>Material</b>	Painted Glass
<b>Frame</b>	Aluminum; .75" edging
<b>Surface Type</b>	Magnetic Glass
<b>Full Dimensions</b>	51" W x 24" D x 72" H
<b>Board Dimensions</b>	46.5" W x 34.25" H
<b>Base Dimensions</b>	51" W x 24" D
<b>Tray Length</b>	24" W
<b>Casters (4)</b>	3" rollerblade-style; two casters include locking brakes
<b>Actual Weight</b>	67 lbs.
<b>Shipping Method</b>	Freight
<b>Shipping Carton Dims</b>	69"W x 58"D x 4"H
<b>Shipping Weight</b>	87 lbs.
<b>Assembly Required</b>	Yes



**To Order, Call Your  
Sales Representative  
or 800-323-4656**

2245 Delany Road, Waukegan, IL 60087  
800-323-4656 | Fax 847-244-1818 | [www.LuxorFurn.com](http://www.LuxorFurn.com)

# LUXOR

INNOVATIVE WORKSPACE PRODUCT SOLUTIONS