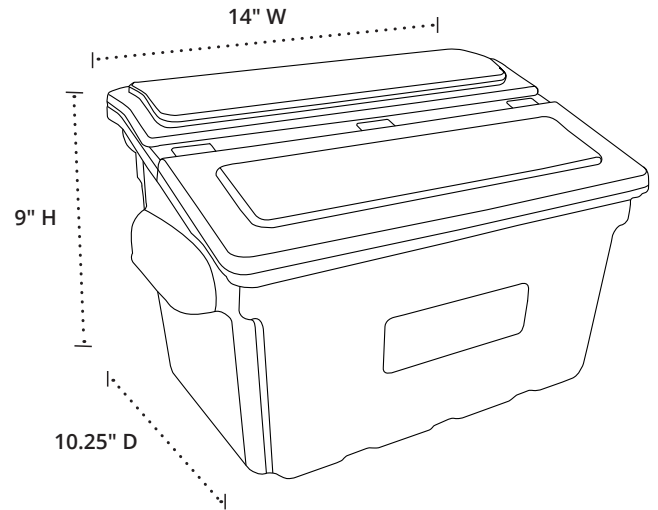


OUTRIGBIN-2PK

OUTRIGGER UTILITY CART BIN 2-PACK

Product Specifications

Item Number	OUTRIGBIN-2PK
Material	Injection molded polypropylene
Color Options	Black
Overall Dimensions	10.25" D x 14" W x 9" H
Mounting Lip Dimensions	5/8" D x 13" W x 6/8" H
Weight	4.85 lbs.
Interior Capacity	3 gallons
Weight Capacity	25 lbs.
Grab Handles	One of each side
Includes:	2 bins, 2 lids
Shipping Method	Ground
Shipping Carton Dims	1 carton: 16" W x 11" D x 15" H
Shipping Weight	7 lbs.



**To Order, Call Your Sales Representative
or 800-323-4656**