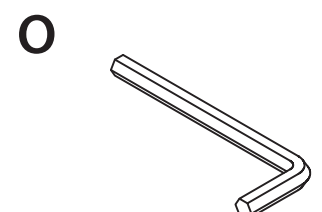
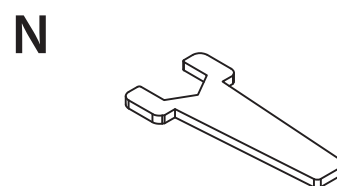
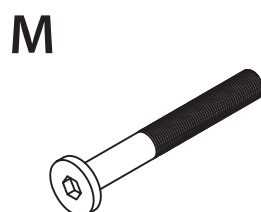
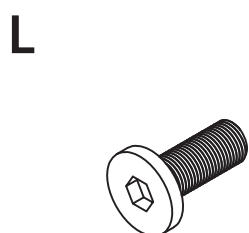
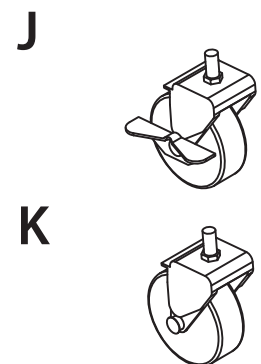
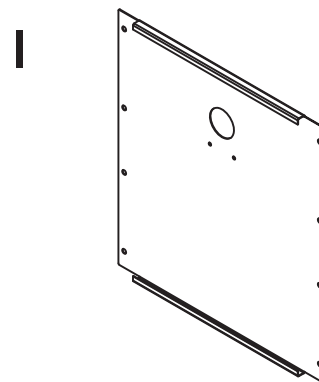
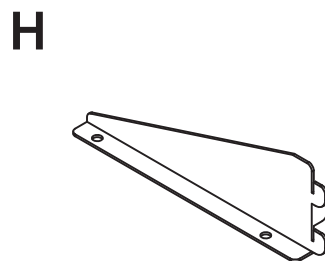
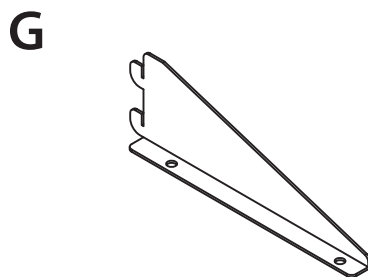
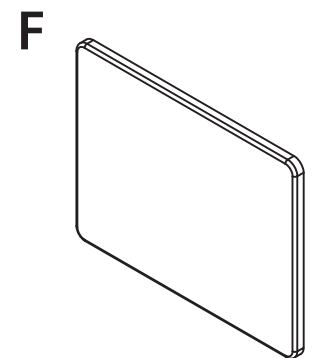
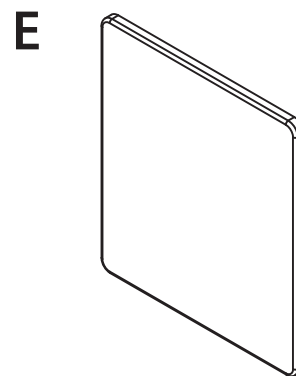
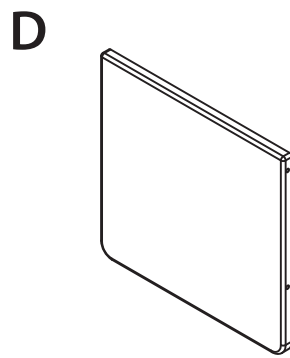
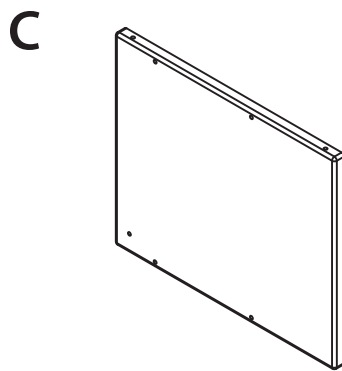
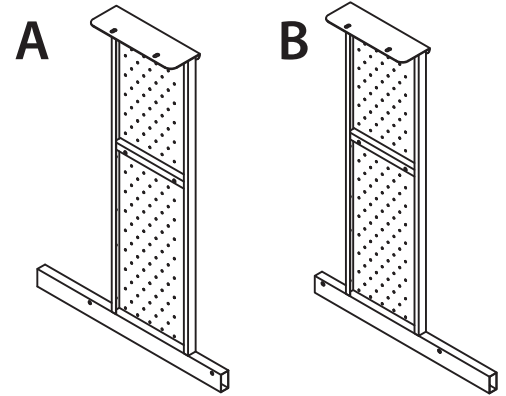
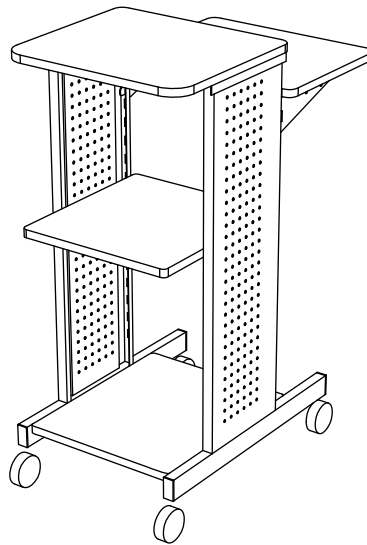


# PS4000 Assembly Guide

## Part List:

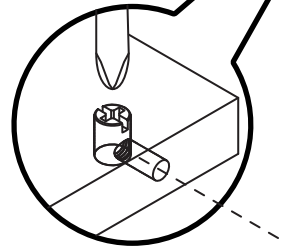
- A. 1 x Left Panel
- B. 1 x Right Panel
- C. 1 x Bottom Panel
- D. 1 x Middle Panel
- E. 1 x Top Panel
- F. 1 x Shelf Panel
- G. 1 x Left Shelf Bracket
- H. 1 x Right Shelf Bracket
- I. 1 x Back Panel
- J. 2 x Locking Casters
- K. 2 x Casters
- L. 16 x Small Screw (M5x15)
- M. 8 x Large Screw (M5x48)
- N. 1 x Caster Wrench (14mm)
- O. 1 x Allan Wrench (4mm)



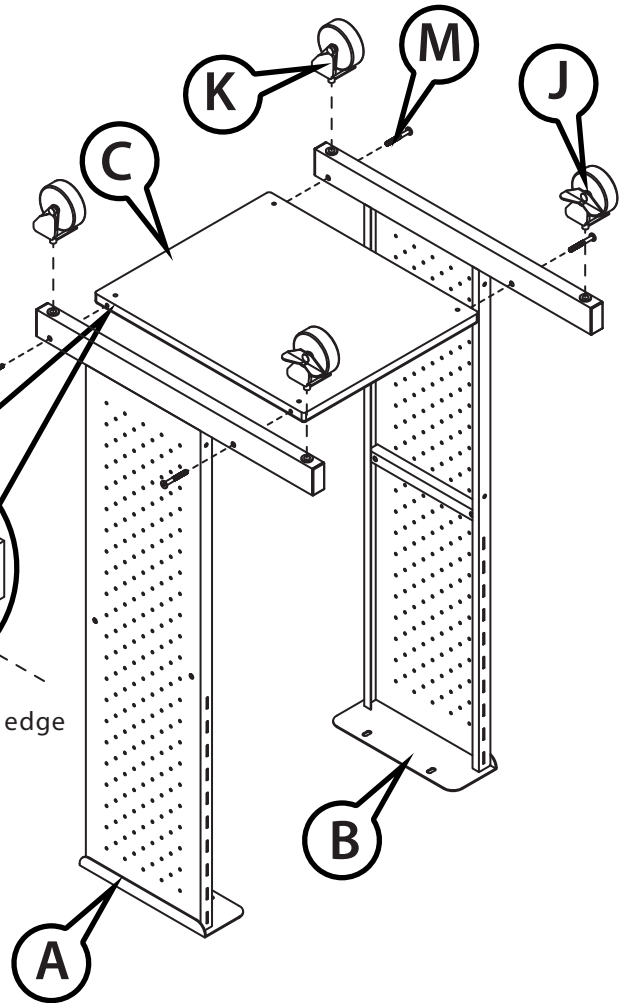
## Step 1

Install the casters (J,K) to the side panels (A,B).  
Using the supplied allen wrench (O), install  
the bottom panel (C) with the 4 long screws (M).  
Note: Do not completely tighten the screws.

Confirm that the arrowhead  
mark on the insert aligns  
with the centerline of the  
drilled hole.

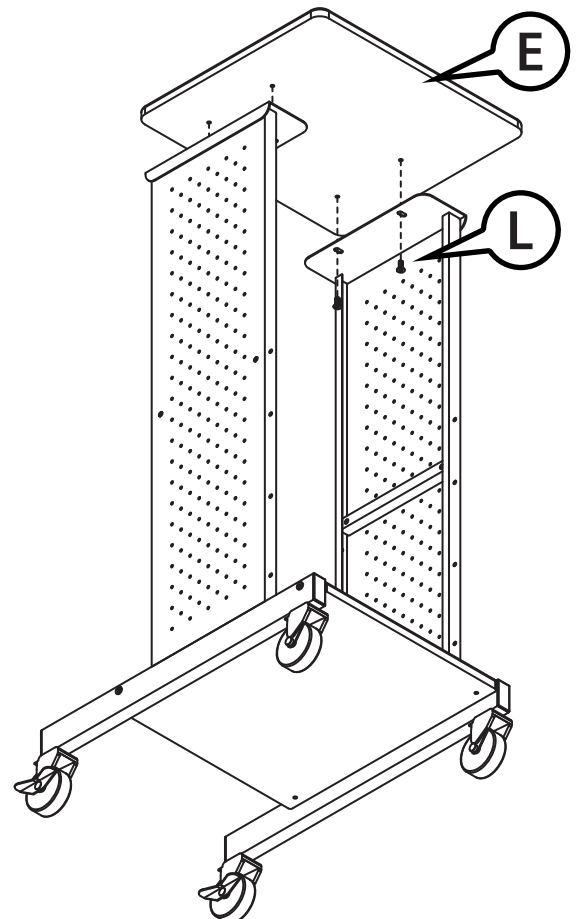


Centerline of edge  
drilled hole



## Step 2

Using the allen wrench (O), install the top panel (E)  
to the main unit with 4 small screws (L).  
Note: Do not completely tighten the screws.

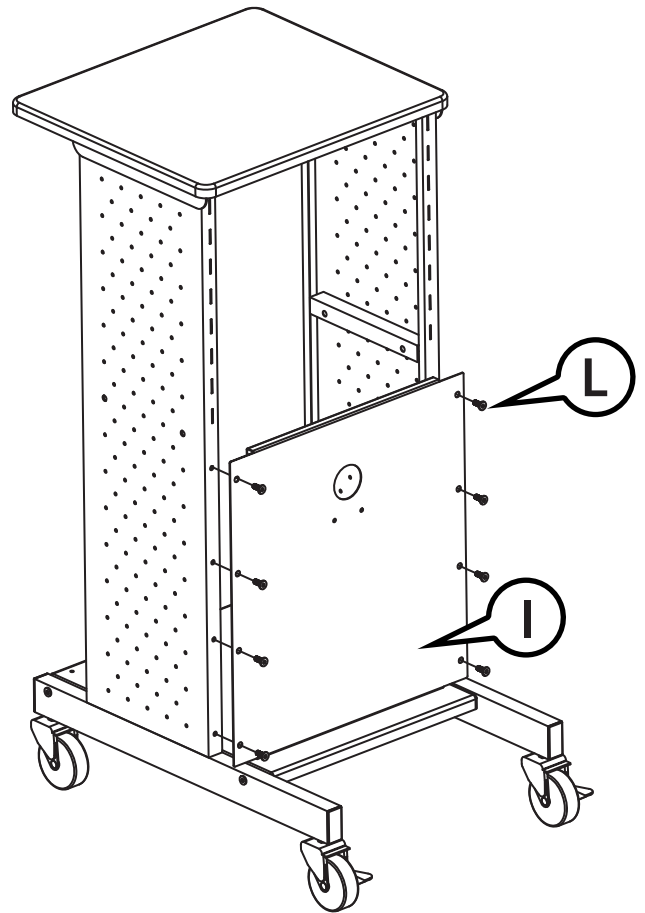


### Step 3

Using the allen wrench (O), install the back panel (I) to the main unit with 8 small screws (L).

Note: Do not completely tighten the screws.

If you have a cabinet pack, open it now. If not continue following the instructions.

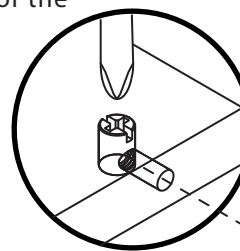


### Step 4

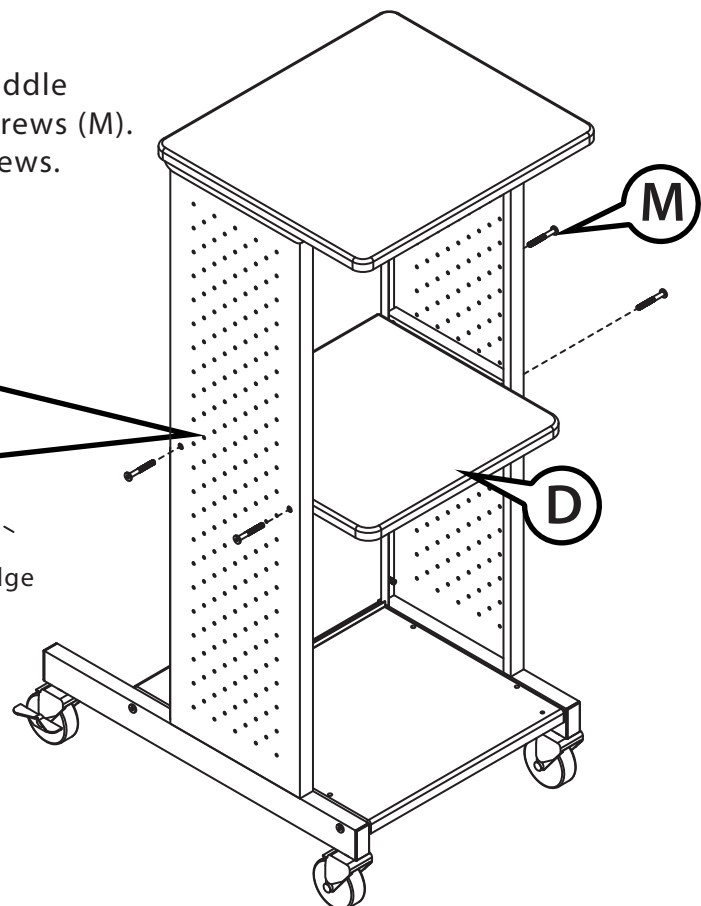
Using the allen wrench (O), install the middle panel (E) to the main unit with 4 large screws (M).

Note: Do not completely tighten the screws.

Confirm that the arrowhead mark on the insert aligns with the centerline of the drilled hole.



Centerline of edge drilled hole

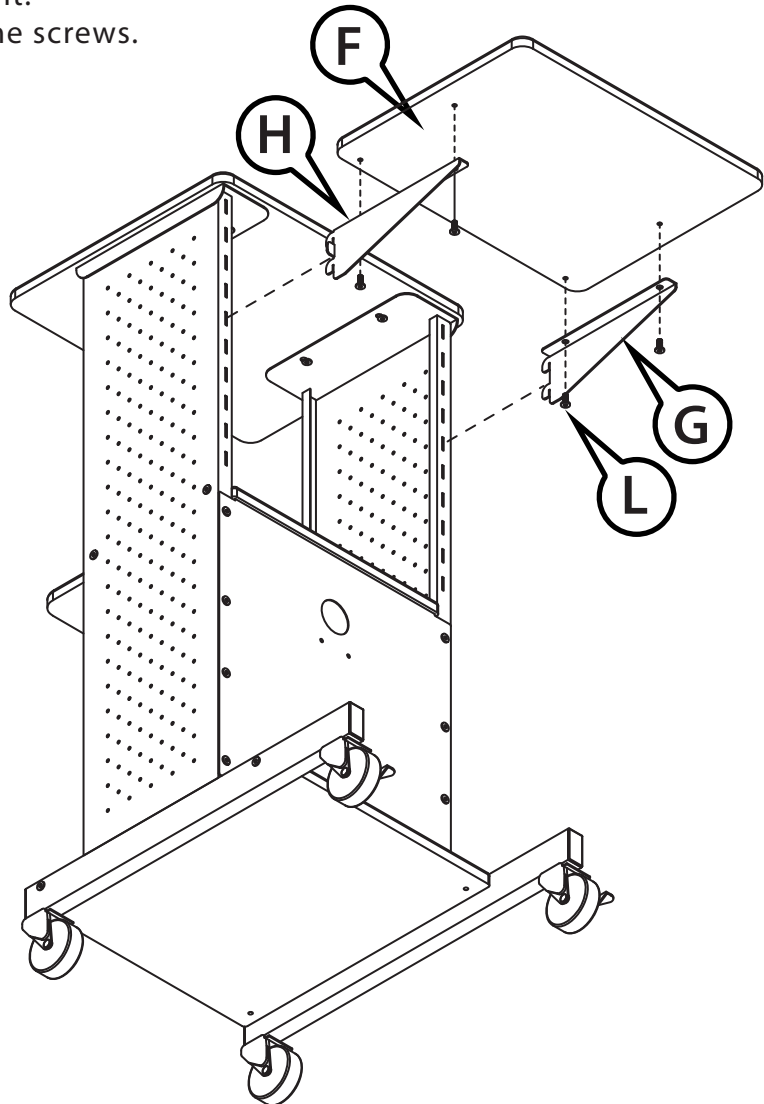


## Step 5

Using the allen wrench (O), install shelf brackets (G,H) to shelf panel (F) with 4 small screws (L).

Install the shelf at the desired height.

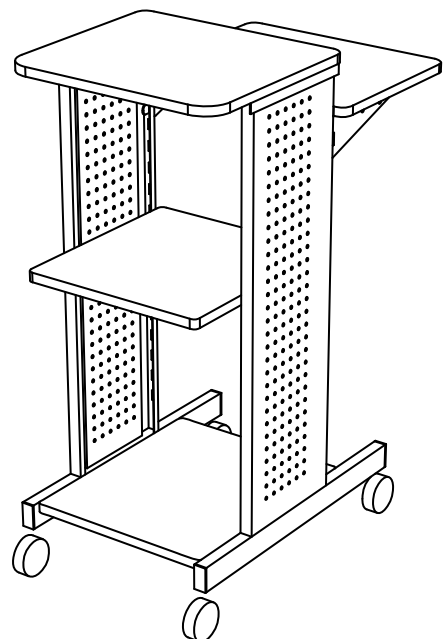
Note: Do not completely tighten the screws.



## Step 6

Using the allen wrench (O), tighten all of the screws (16 small & 8 large).

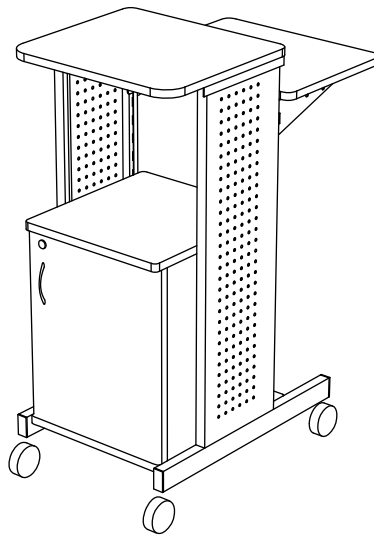
You have completed the assembly.



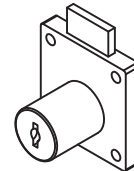
# PS4000 Cabinet Pack Assembly Guide

## Part List:

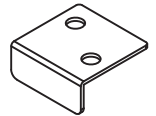
- A. 1 x Lock
- B. 1 x Lock Catch
- C. 1 x Lock Ring
- D. 1 x Left Panel
- E. 1 x Right Panel
- F. 1 x Door Panel
- G. 8 x Wood Dowels
- H. 2 x Hinges
- I. 1 x Handle
- J. 2 x Handle Screws
- K. 2 x Washers
- L. 20 x Small Screws
- M. 1 x Magnetic Catch Plate
- N. 1 x magnetic Catch
- O. 4 x Large Screws



**A**



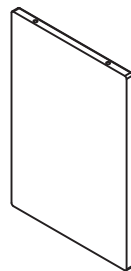
**B**



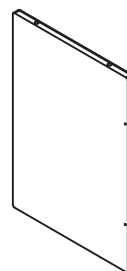
**C**



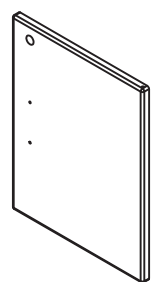
**D**



**E**



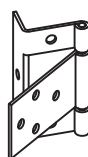
**F**



**G**



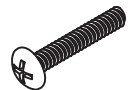
**H**



**K**



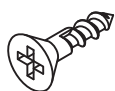
**I**



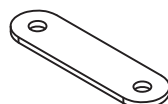
**J**



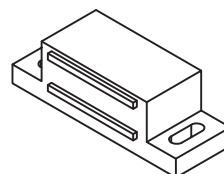
**L**



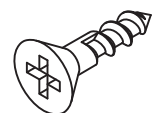
**M**



**N**

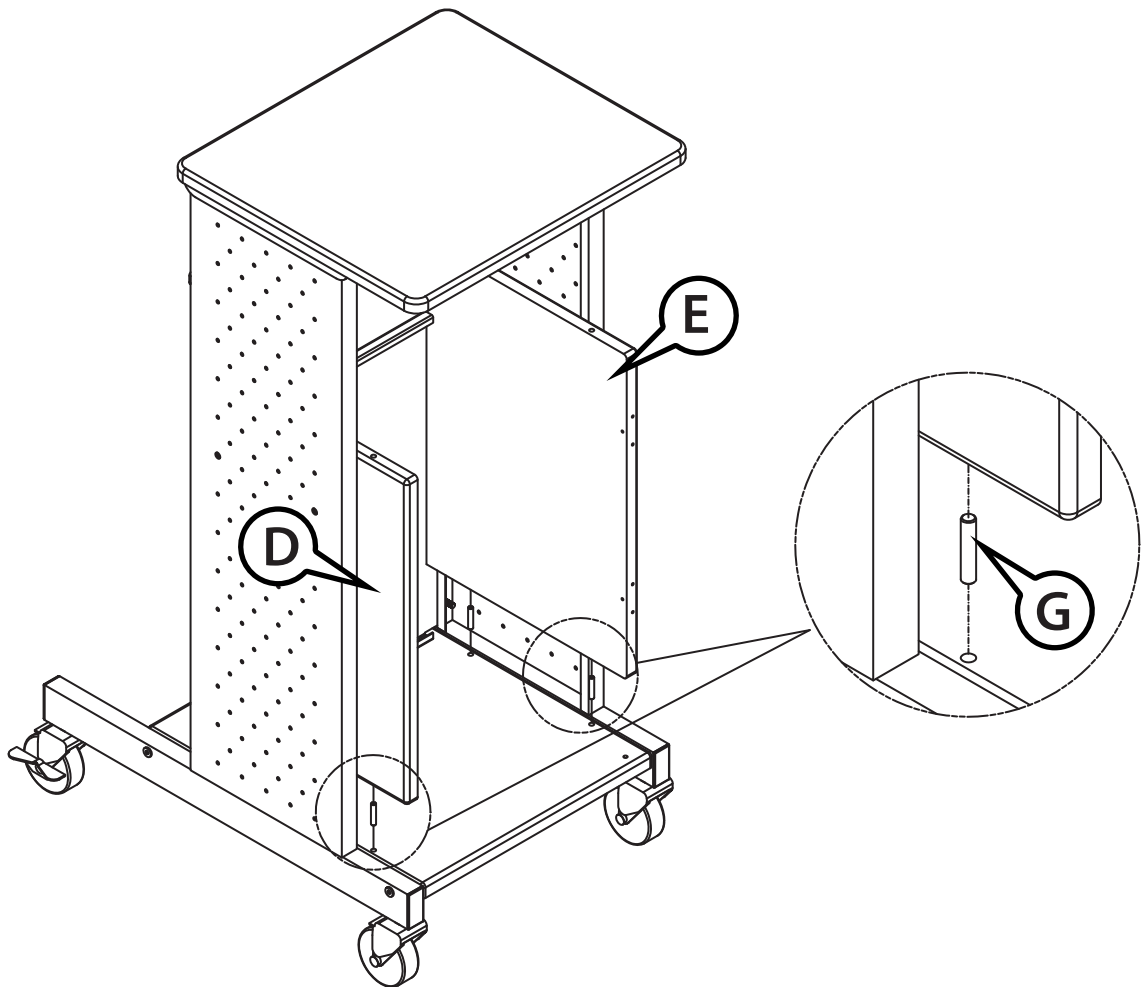


**O**



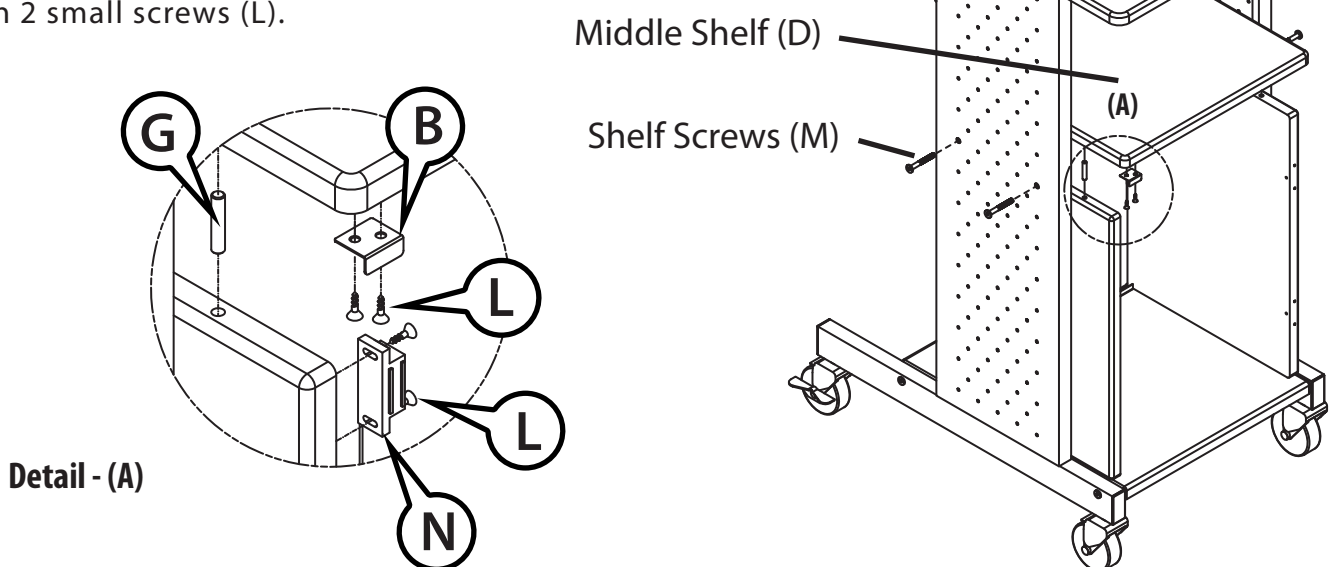
# Step 1

After following the PS4000 Assembly guide to Step 3, install 4 dowels (G) into the side panels (D,E). Insert the side panels into the main unit.



# Step 2

Install 4 dowels (G) into the top of the side panels (C,D). Install the lock Catch (B) to the middle shelf with 2 small screws (L). Install the magnetic catch (N) to the side shelf (C) with 2 small screws (L).



## Step 3

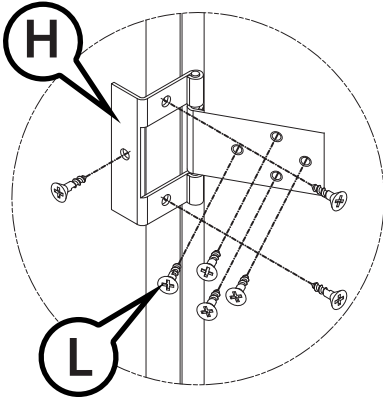
Install the lock (A) and lock ring (C) with the 4 large screws (O).

Install the magnetic catch plate (M) to the door (F) with 2 small screws (L).

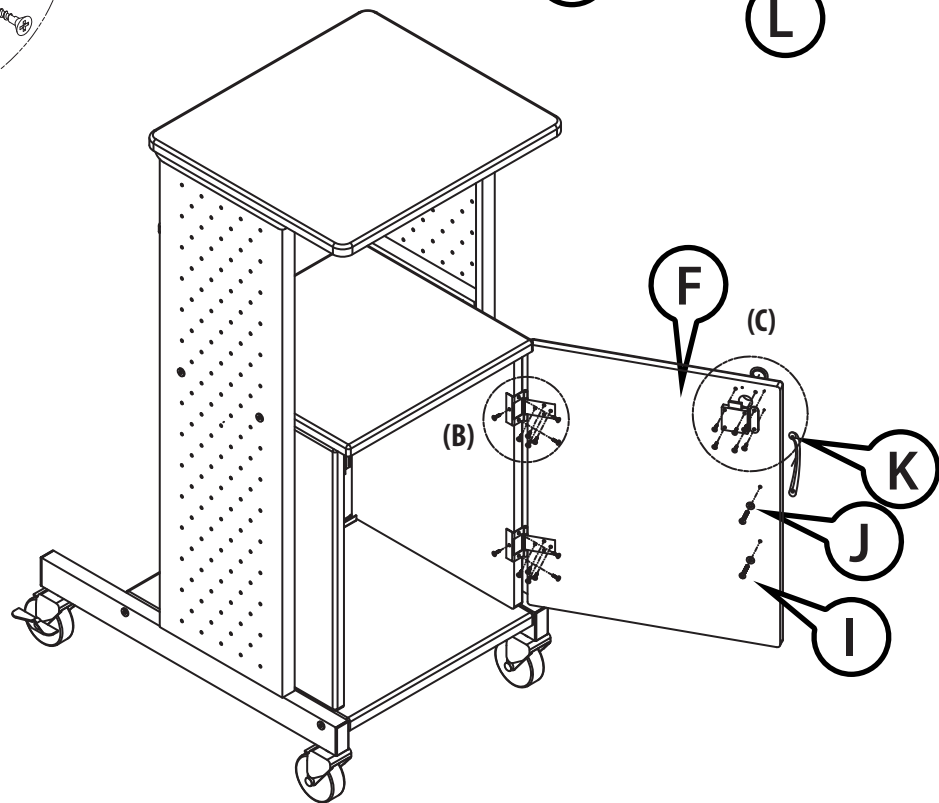
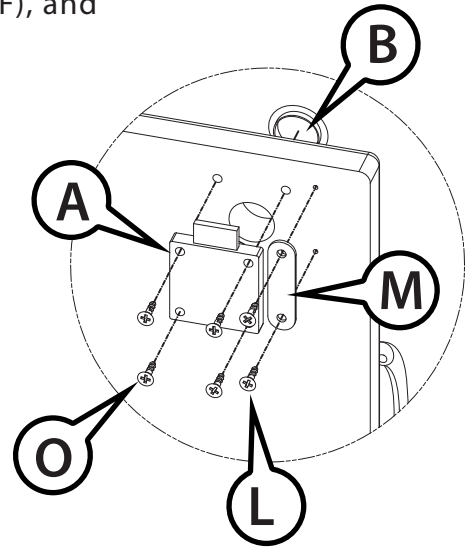
Install the handle (K) with the handle screws (I) and washers (J) to the door (F).

With 14 small screws (L), install the hinges (H) to the door (F), and the side panel (E).

Detail - (B)



Detail - (C)



## Step 4

Continue with the PS4000 Assembly Guide.