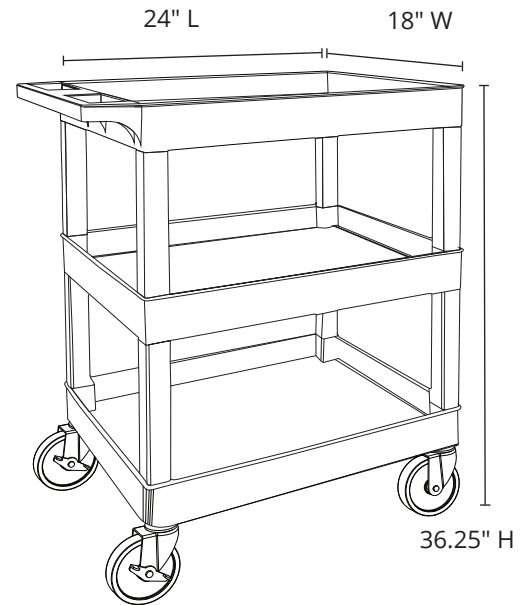


SEC111-B | SEC111-G

24" x 18" TUB CART – THREE SHELVES

Product Specifications

Item Number	SEC111-B; SEC111-G
Material	Injection Molded Thermoplastic Resin Legs: Polyvinyl Chloride (PVC) Shelves: High Density Polyethylene (HDPE)
Color Options	Black, Gray
Cart Dimensions	24" L x 18" W x 36.25" H
Product Weight	24.5 lbs.
Shelf Quantity	3
Shelf Dimensions	24" L x 18" W
Tray Depth	2.5"
Distance Between Shelves	10.5"
Casters (4)	4" Full Swivel: Two Casters Include Locking Brakes
Weight Capacity	400 lbs.
Made in USA	Yes
Shipping Method	Freight
Shipping Carton Dimensions	28" L x 19" W x 14.25" H
Shipping Weight	25 lbs.
Assembly Required	Yes



To Order, Call Your
Sales Representative
or 800-323-4656