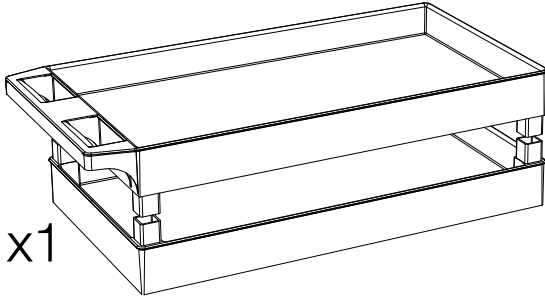


Parts List

A x1

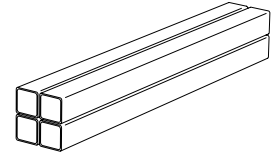
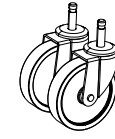
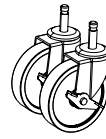
B x1



C x2

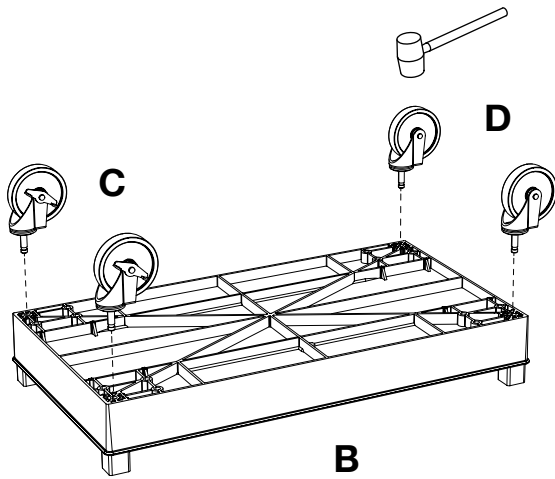
D x2

E x4

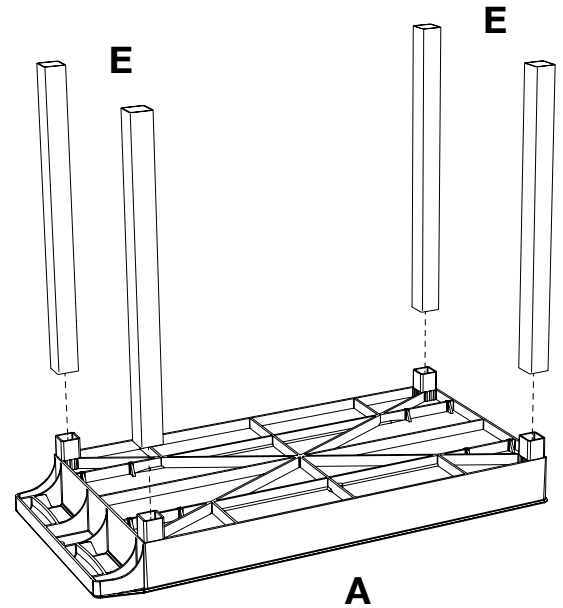


Tools Required: Rubber Mallet

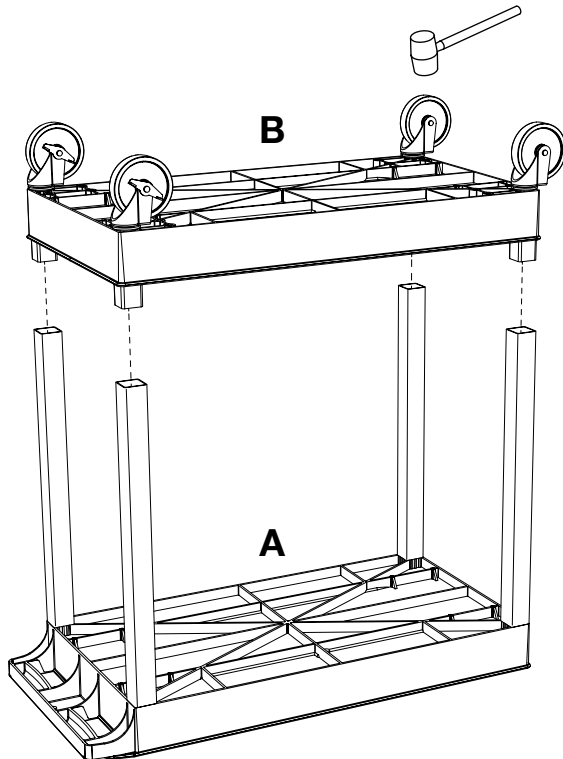
1



2



3



4

