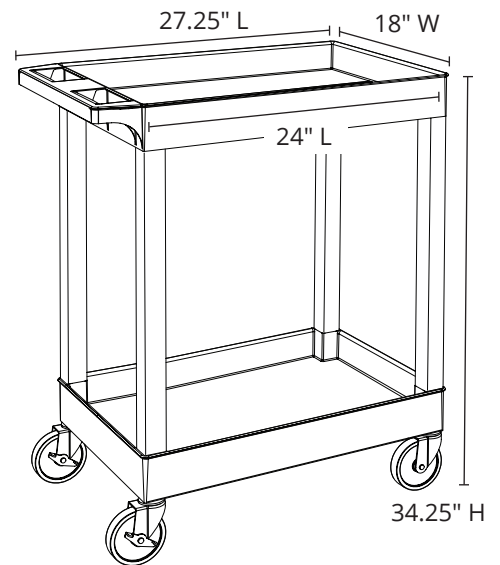


SEC11-B | SEC11-G

24" x 18" TUB CART – TWO SHELVES

Product Specifications

| | |
|----------------------------|----------------------------------------------------------------------------------------------------------------------|
| Item Number | SEC11-B; SEC11-G |
| Material | Injection Molding Thermoplastic Resin Legs: Polyvinyl Chloride (PVC) Shelves: High Density Polyethylene (HDPE) |
| Color Options | Black, Gray |
| Cart Dimensions | 27.25" L x 18" W x 34.25" H |
| Product Weight | 18.5 lbs. |
| Shelf Quantity | 2 |
| Shelf Dimensions | 24" L x 18" W |
| Shelf Depth | 2.5" |
| Distance Between Shelves | 22.5" |
| Casters (4) | 4" Full Swivel: Two Casters Include Locking Brakes |
| Weight Capacity | 400 lbs. |
| Made in USA | Yes |
| Shipping Method | Freight |
| Shipping Carton Dimensions | 28.5" L x 19" W x 10.5" H |
| Shipping Weight | 19 lbs. |
| Assembly Required | Yes |



To Order, Call Your
Sales Representative
or 800-323-4656