

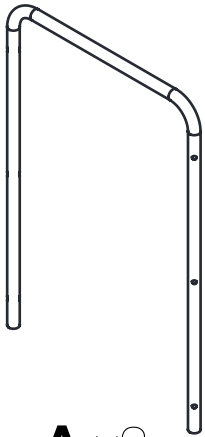
3 Shelf Stainless Steel Cart Instructions

03/15/13

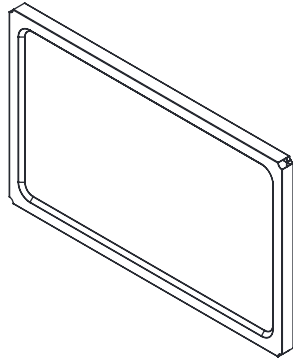
Parts List

Tools Required

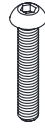
- 1/2" or 13mm Wrench



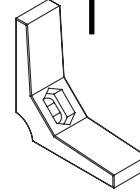
A x2



B x3



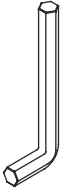
C x12



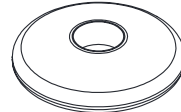
D x12



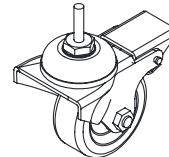
E x12



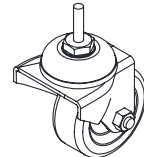
F x1



G x4



H x2

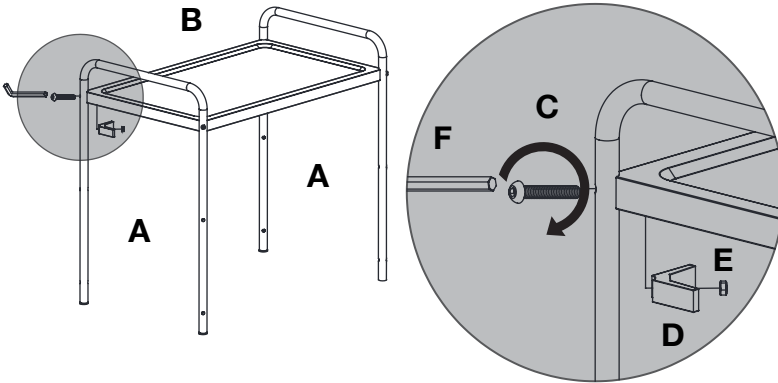


J x2

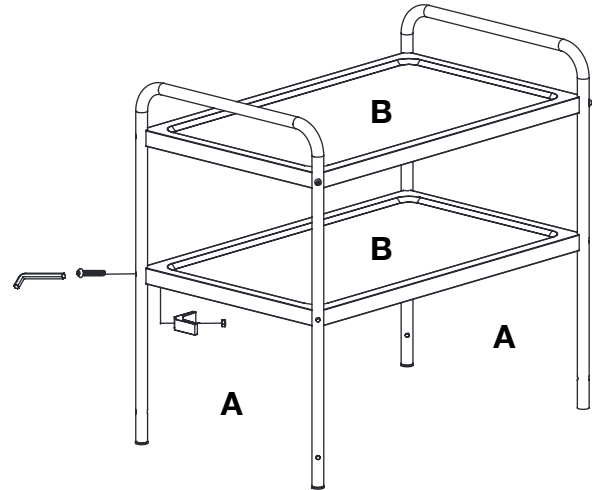


K x4

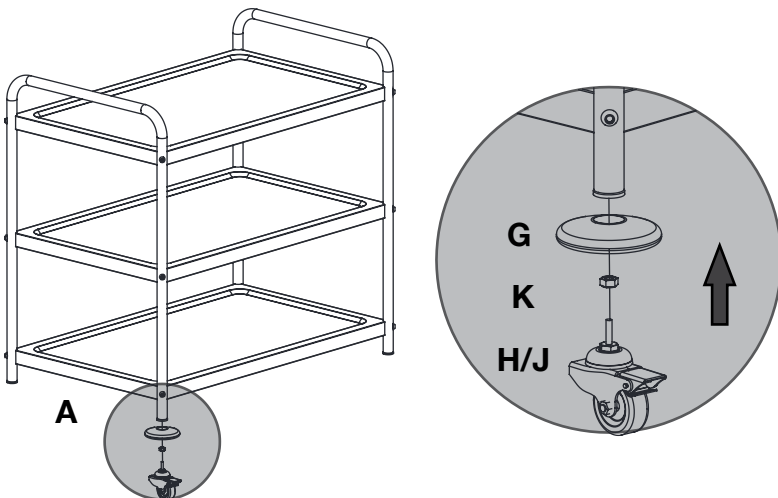
- 1** Using Allen wrench **F** and a 1/2" or 13mm Wrench, attach the top shelf to the tube frames with 4 screws **C**, 4 corner brackets **D** and 4 locking nuts **E**.



- 2** Repeat Step 1 for the Middle and Bottom shelves



- 3** Thread the adjustment nut **K** on casters **H** & **J** until tight. Push the plastic bumper **G** onto frame **A**, and thread the casters **H** & **J** to frame **A**. Secure with Wrench.



- 4** Place the cart on a level surface and tighten all of the hardware using the Allen wrench and a 1/2" or 13mm Wrench.

