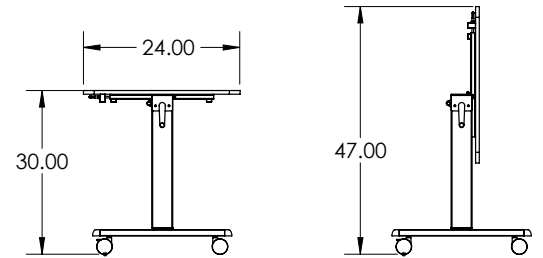
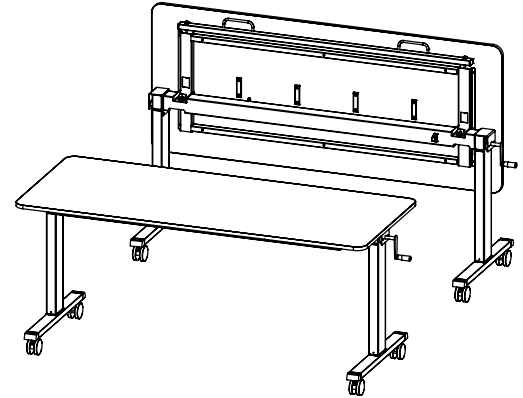


# STAND-NESTC-60 - ADJUSTABLE FLIP-TOP TABLE

**Product Specifications:**

<b>Item Number</b>	Stand-NestC-60
<b>Dimensions</b>	59" W x 23.6" D x 30" – 45.25" H
<b>Table Material</b>	Particle board with Melamine Top; PVC edge banding
<b>Color Finish</b>	Gray
<b>Table Dimensions</b>	59" W x 23.6" D x 0.17" H
<b>Leg Material</b>	Steel
<b>Grommet Holes</b>	Two; 2" diameter
<b>Weight</b>	91 lbs.
<b>Adjustable Height Increments</b>	Any height between 30" – 45.25" H
<b>Height Adjustment Mechanism</b>	Crank
<b>Flipping Mechanism</b>	Bar with two handle pulls
<b>Casters (4)</b>	3" furniture casters; two locking brakes
<b>Weight Capacity</b>	150 lbs.
<b>Ship Method</b>	Freight
<b>Shipping Carton Dims</b>	63" W x 28" D x 7" H
<b>Shipping Weight</b>	100 lbs.
<b>Meets ANSI/BIFMA</b>	Yes
<b>Assembly Required</b>	Yes



205 Westwood Ave, Long Branch, NJ 07740  
 Phone: 866-94 BOARDS (26273) / (732)-222-1511  
 Fax: (732)-222-7088 | E-mail: sales@touchboards.com

**To Order, Call Your Sales Representative or 800-323-4656**