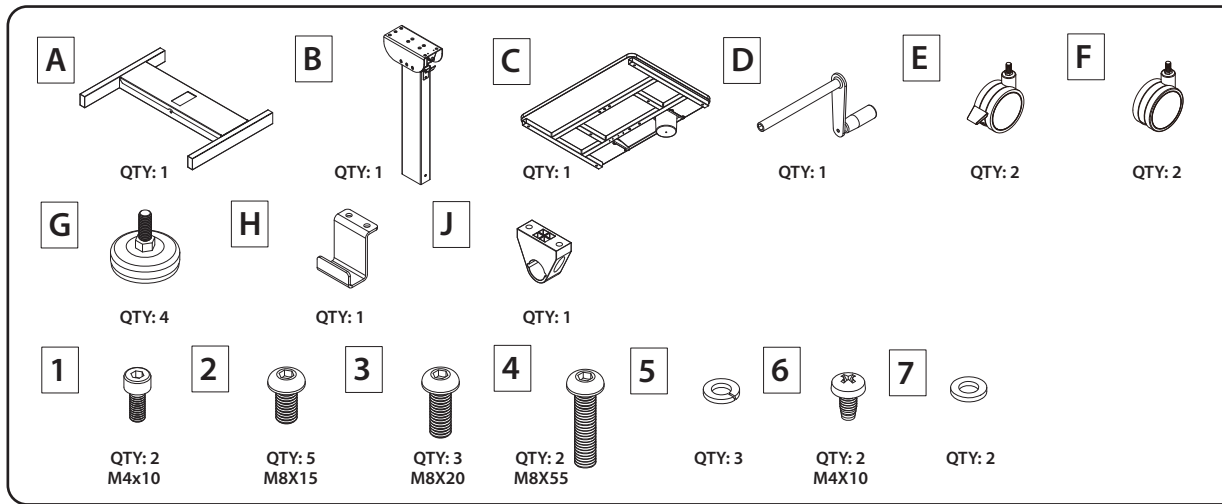
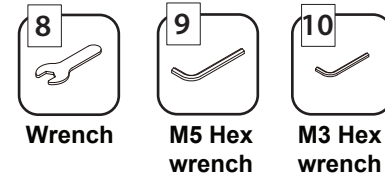


## Student Desk Crank



### TOOLS PROVIDED



### TOOLS NEEDED



## INSTRUCTIONS

- 1** This desk ships with casters (E & F) and glides (G). Use either casters (E & F) or glides (G) during this step.

