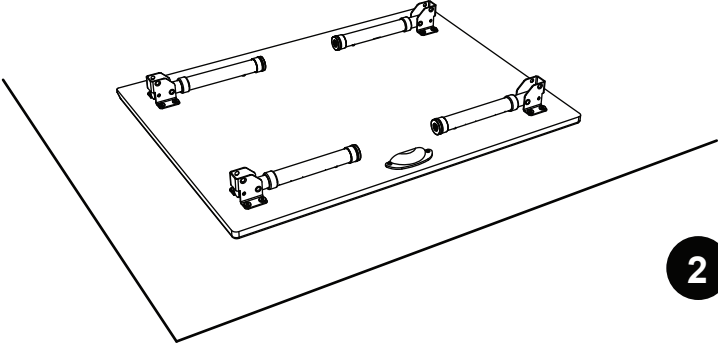


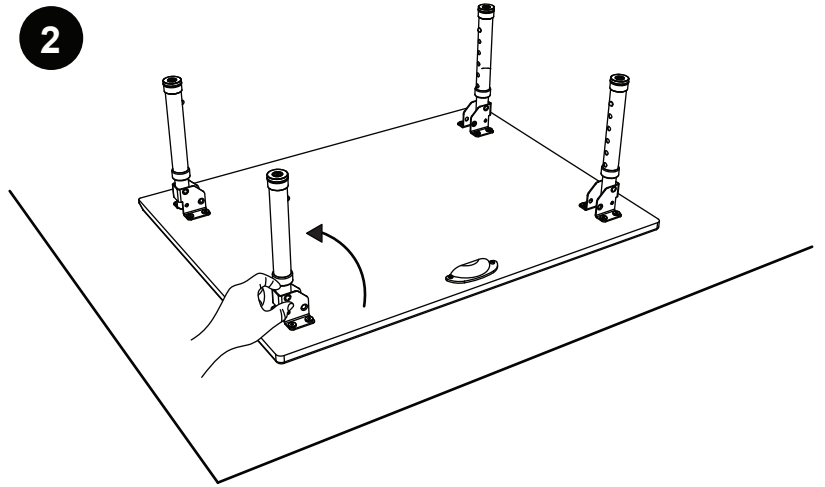
STUDENT-D

Intended to use with STUDENT-D-DOLLY

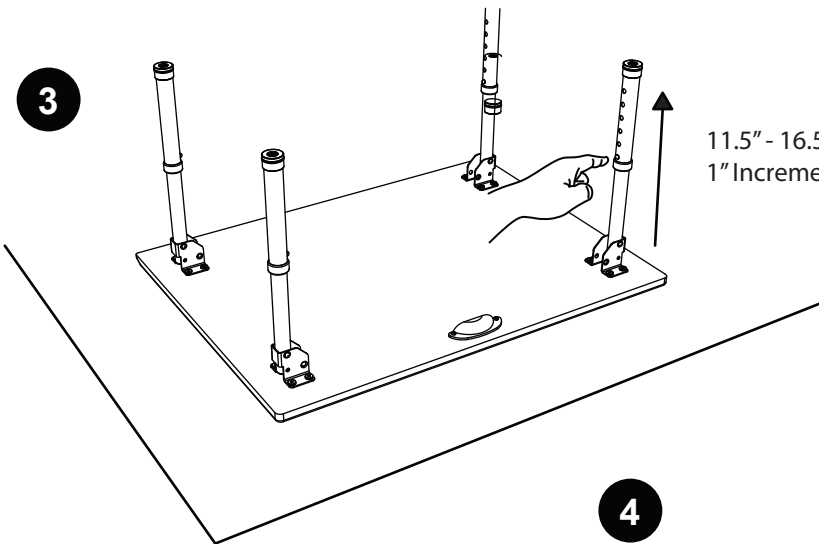
1



2



3



11.5" - 16.5"
1" Increments

4

