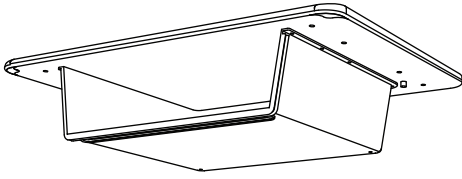


Student-M (Manual Height Adjustable Student Desk) Assembly Guide

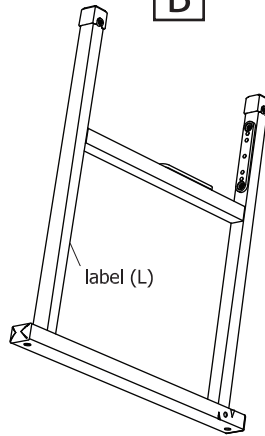
A



Top with plastic
drawer attached

QTY: 1

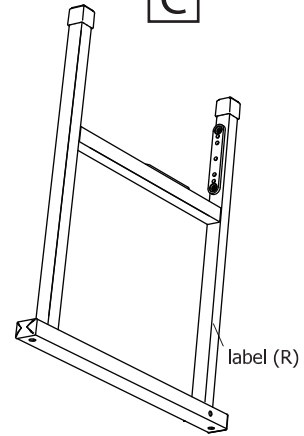
B



Left leg frame

QTY: 1

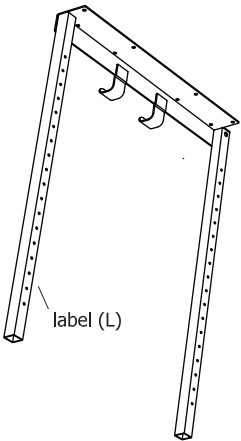
C



Right leg frame

QTY: 1

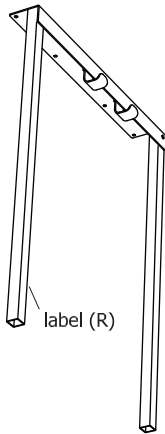
D



Left leg frame
Extension

QTY: 1

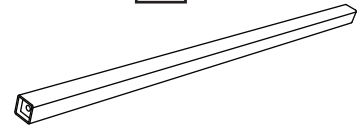
E



Right leg frame
Extension

QTY: 1

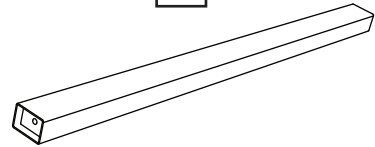
F



Upper support bar

QTY: 1

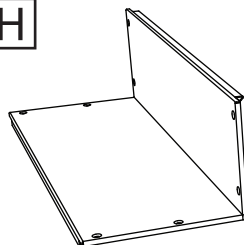
G



Lower support bar

QTY: 1

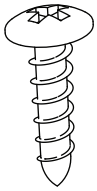
H



Lower shelf for book storage

QTY: 1

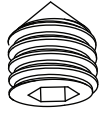
J



Wood screws to secure the top to the frame

QTY 16

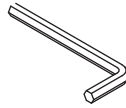
K



Set screws for leg height adjustment

QTY 4

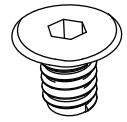
L



Set screw hex wrench

QTY:1

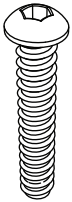
M



Counter sunk screws

QTY 8

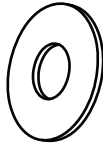
N



Support bar screws

QTY 4

P

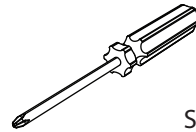


Support bar washers

QTY 4

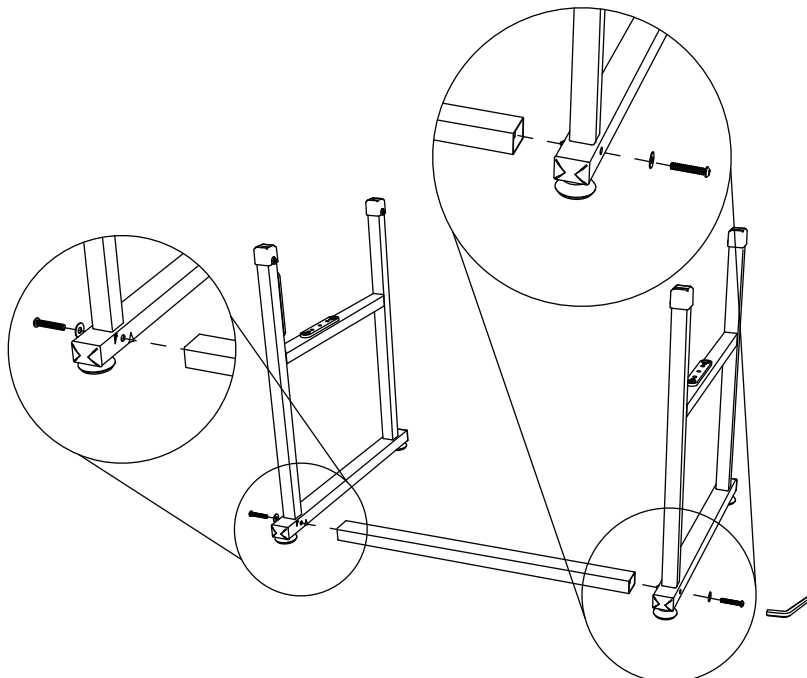
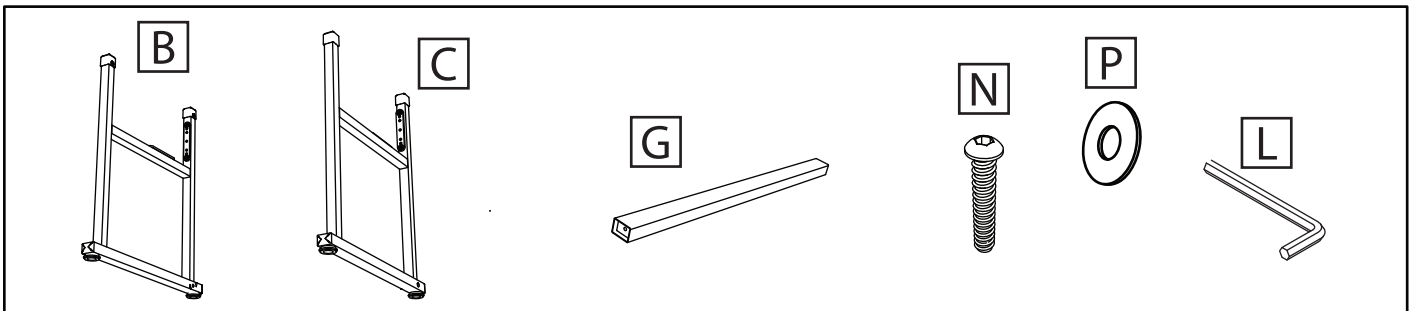


Assistance Required

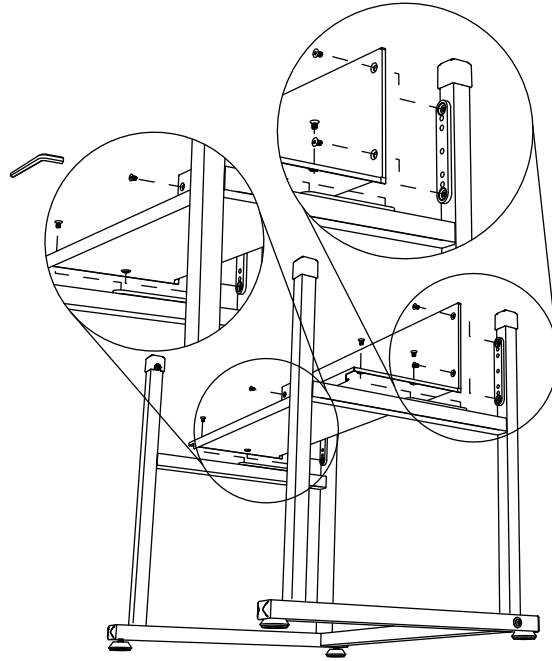
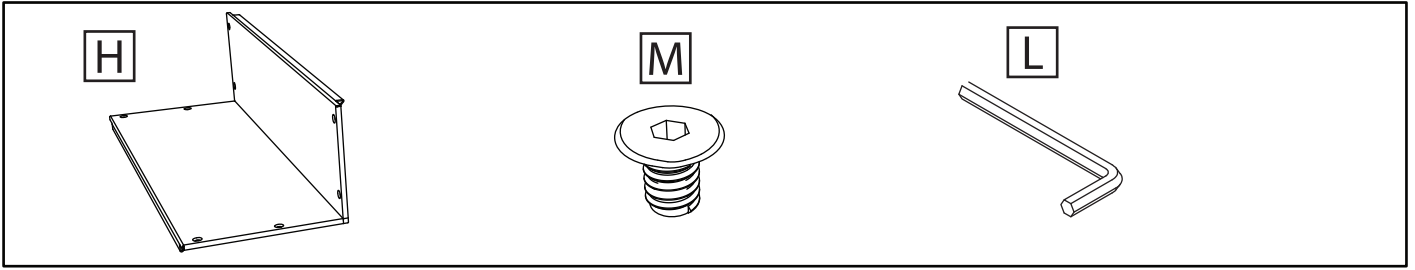


Screwdriver needed

Step 1: Gather parts B, C, G, N, P, and L. Install the support bar to the left and right leg frame using the support bar screws and washers and the hex wrench.



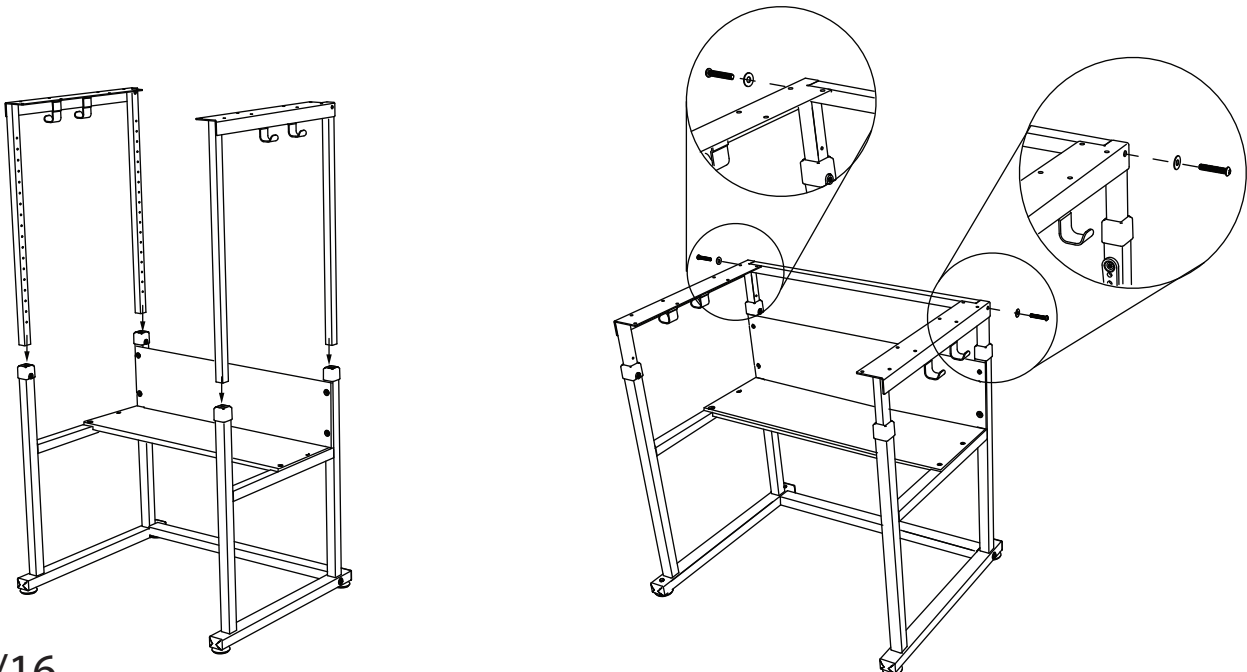
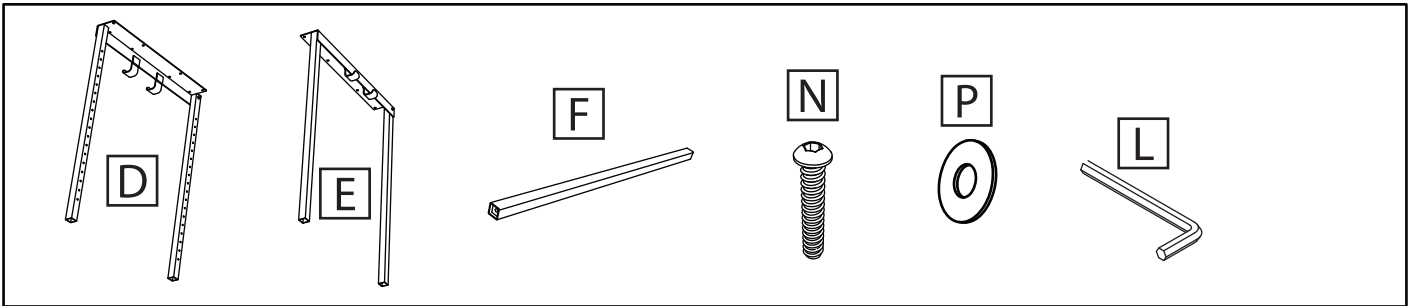
Step 2: Gather parts H, M, and L. Install the lower shelf with the counter sunk screws and the hex wrench.



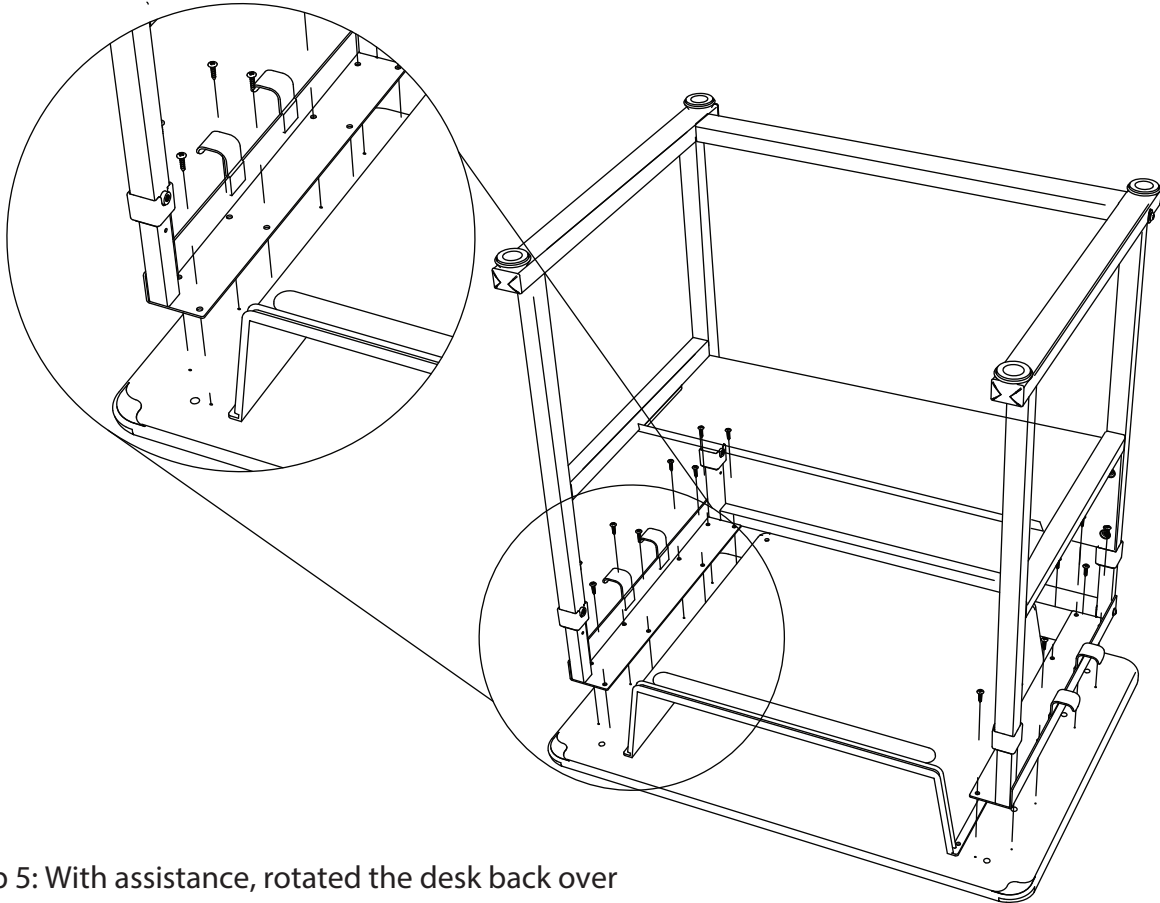
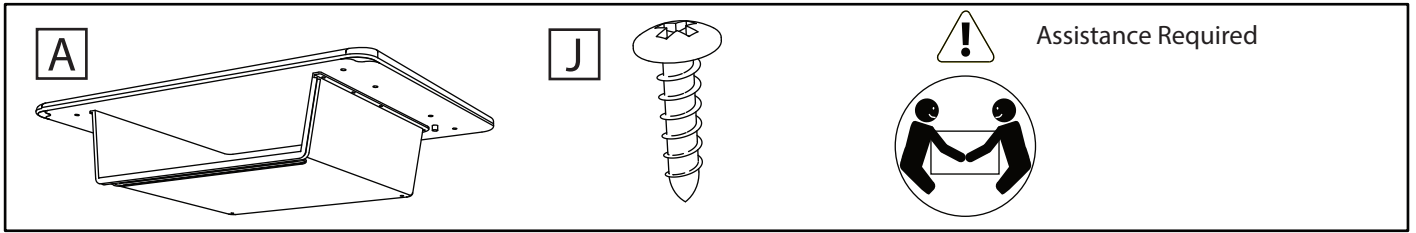
Step 3: Gather parts D, E, F, N, P, L.

Step 3A: Install D, E into the base frame.

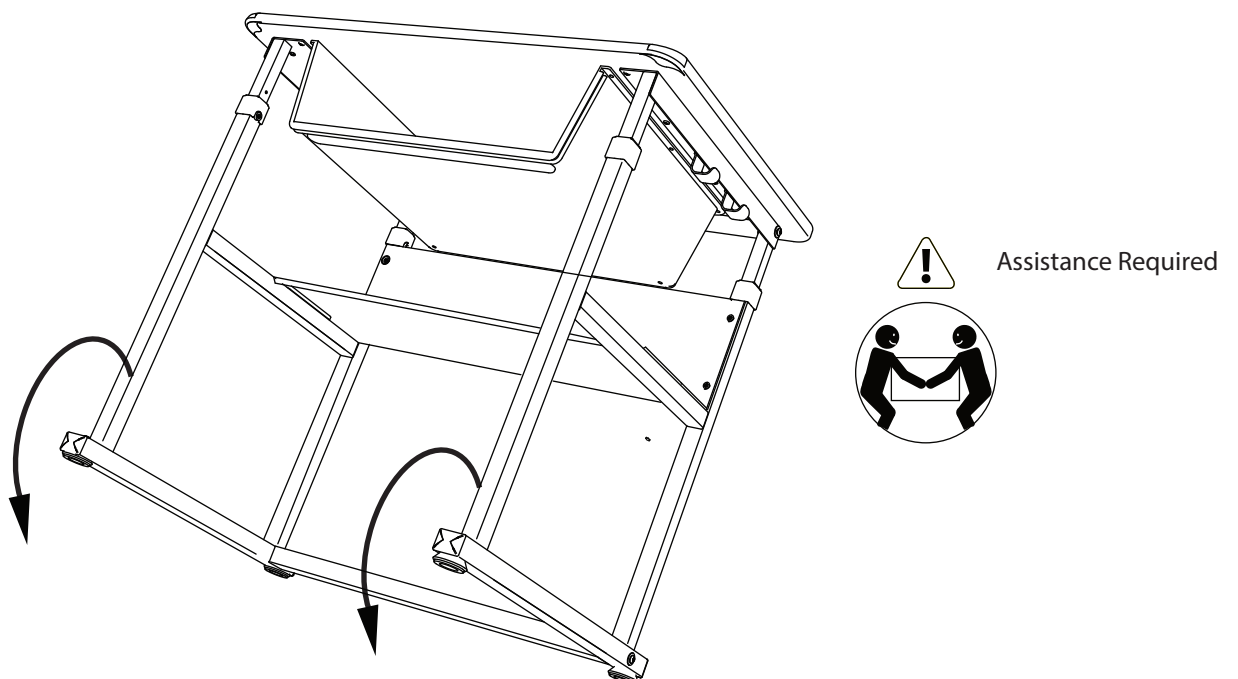
Step 3B: Install F using N, P and L



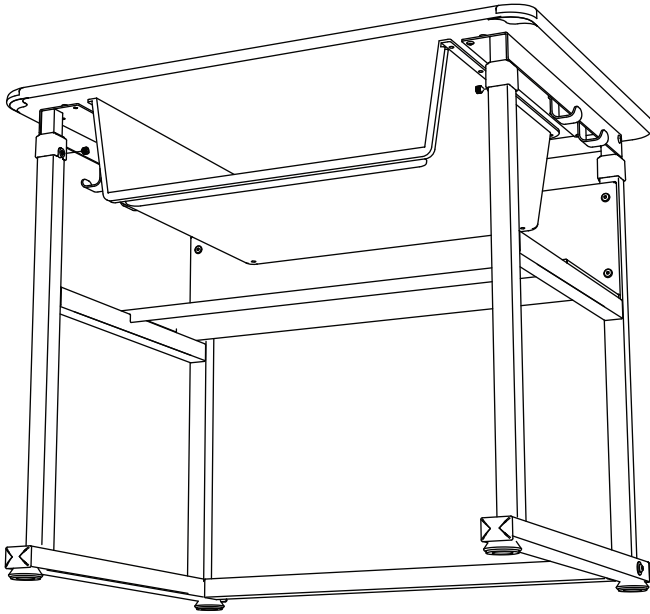
Step 4: Gather parts H, M, and L. Place the top upside down on a protected surface. With assistance, flip the desk over and secure the desk to the top with the 16 wood screws.



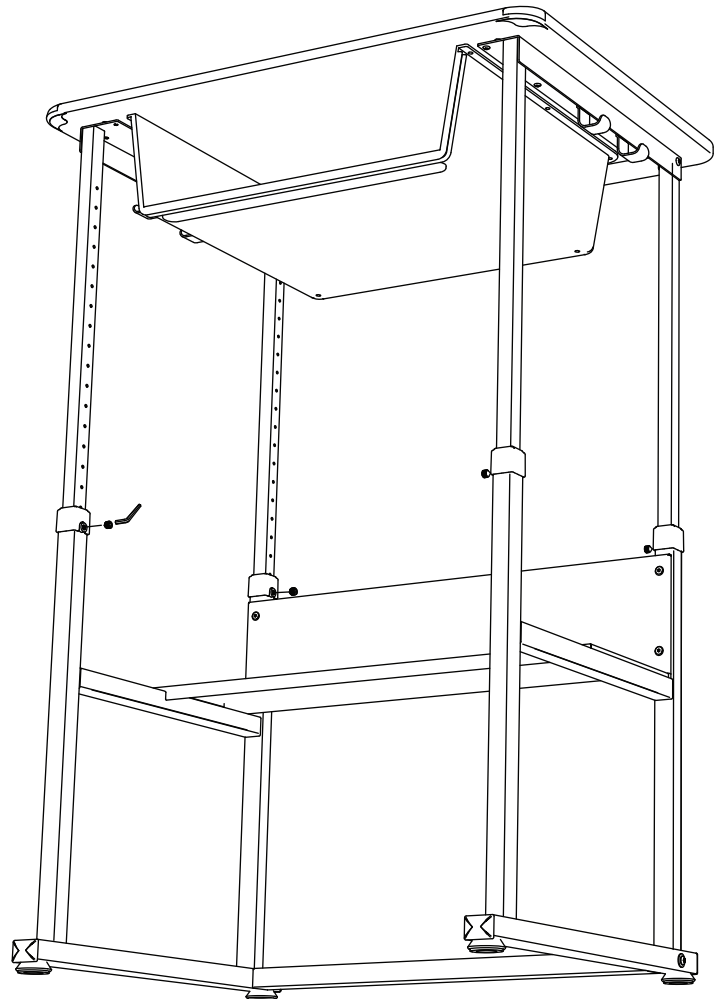
Step 5: With assistance, rotated the desk back over



Step 6: Determine what height you need. Note that you can always adjust later to fit your needs. Note the lowest and tallest setting 26" through 42". There are adjustment points at 1" increments to adjust your height. When you reach your desired height, set screws lock it in position.

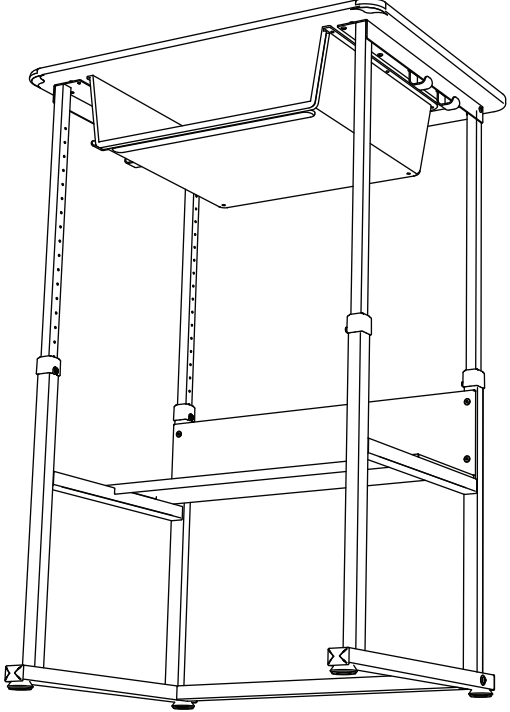
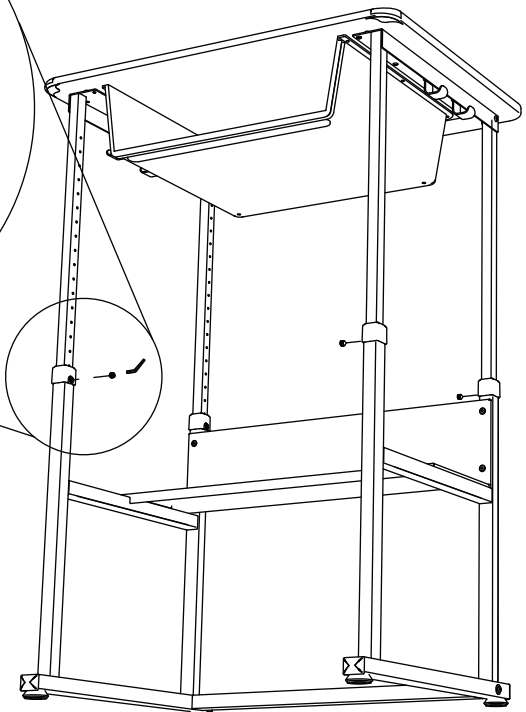
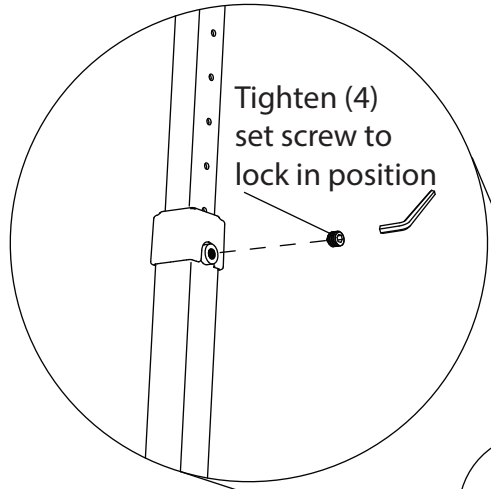


Lowest Position



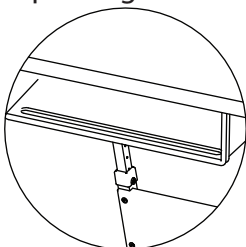
Tallest Position

Step 7: Gather parts K and L. With assistance, pull the desk to the desired height, and secure in place with the set screws and set screw hex wrench.

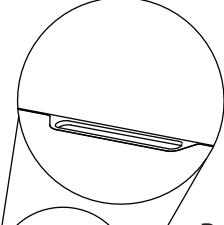


Assembly is complete

Strong drawer with additional pencil groove



Durable top with pencil groove

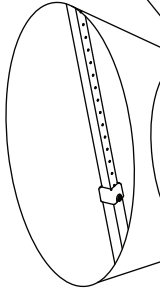


Back pack hooks

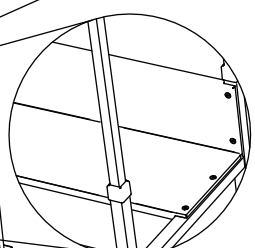


Desk Features include:

Height range of 26-42 in 1" increments



Lower shelf for book storage



Adjustable floor glides

