



WPS4HD Presentation Stations



205 Westwood Ave, Long Branch, NJ 07740
Phone: 866-94 BOARDS (26273) / (732)-222-1511
Fax: (732)-222-7088 | E-mail: sales@touchboards.com

This mobile presentation cart has four gray laminate work surfaces with a black steel frame. The adjustable second shelf can be set from 33" up to 41" high.

Locking wood laminate cabinet model inner dimensions are: 18³/₄"H x 13³/₄"W x 13³/₄"D.

Optional 7-outlet UL approved electrical assembly with 25 ft. cord.

A set of heavy duty 4" full swivel ball bearing casters, two with locking brakes.



Shown with electrical assembly

WPS4HDCE
41" H x 18¹/₄" W x 34¹/₂" D

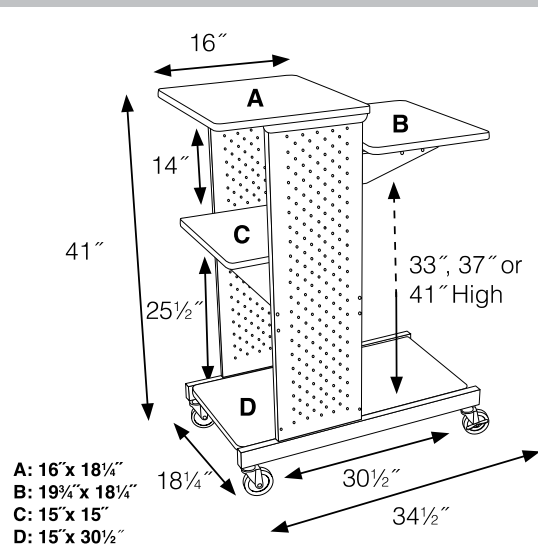


Shown with optional Side Shelf Accessory
19³/₄" x 18¹/₄"

Shown with electrical assembly

WPS4HDE
41" H x 18¹/₄" W x 34¹/₂" D

Measurements:





WPS4 Presentation Stations



Shown with electrical assembly

WPS4E

40" H x 18¹/₄" W x 34¹/₂" D

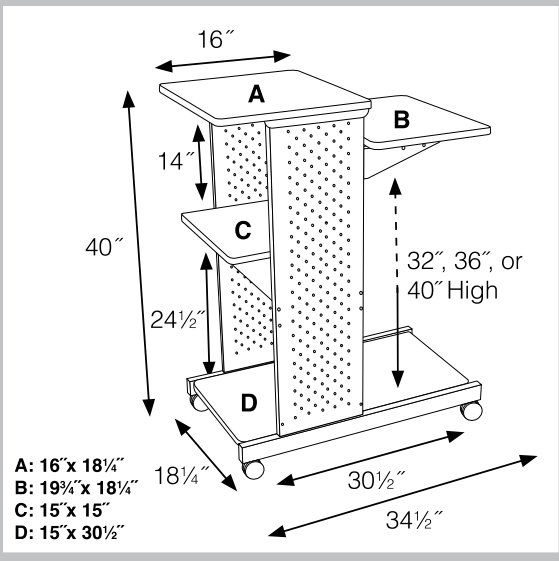
This mobile presentation cart has four gray laminate work surfaces with a black steel frame. The adjustable second shelf can be set from 32" up to 40" high.

Locking wood laminate cabinet model inner dimensions are: 18³/₄" H x 13³/₄" W x 13³/₄" D.

Optional 3-Outlet UL approved electrical assembly with 15 ft. cord.

A set of silent roll, 3" furniture casters, two with locking brakes.

Measurements:



Shown with electrical assembly

WPS4CE

40" H x 18¹/₄" W x 34¹/₂" D