

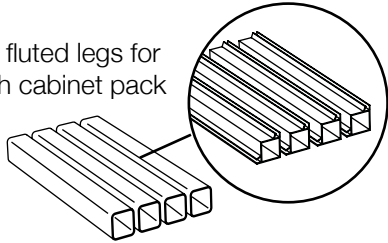
www.luxorfurn.com
www.hwilson.com

Parts List

Tools Required

- Rubber Mallet

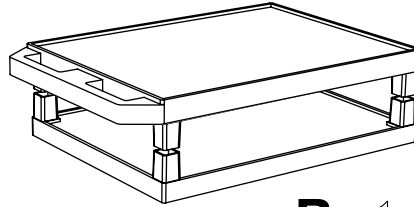
Optional fluted legs for units with cabinet pack



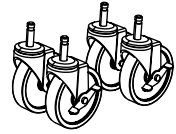
NOTICE:
Leg lengths may vary by model

F x4

A x1

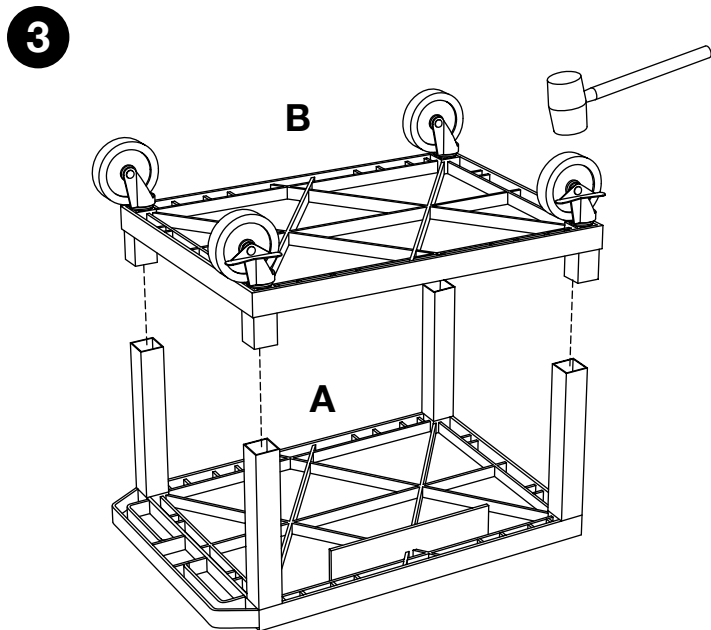
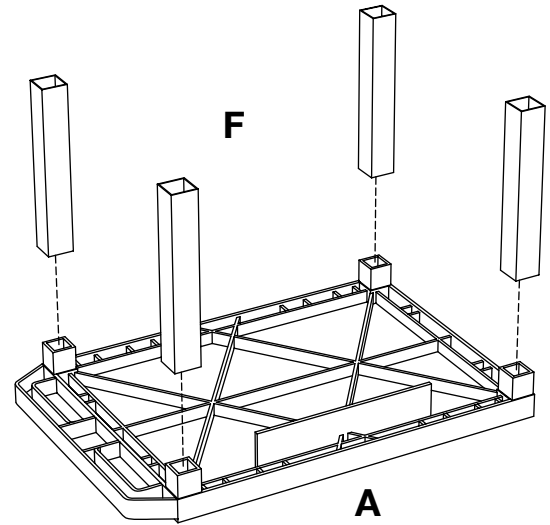
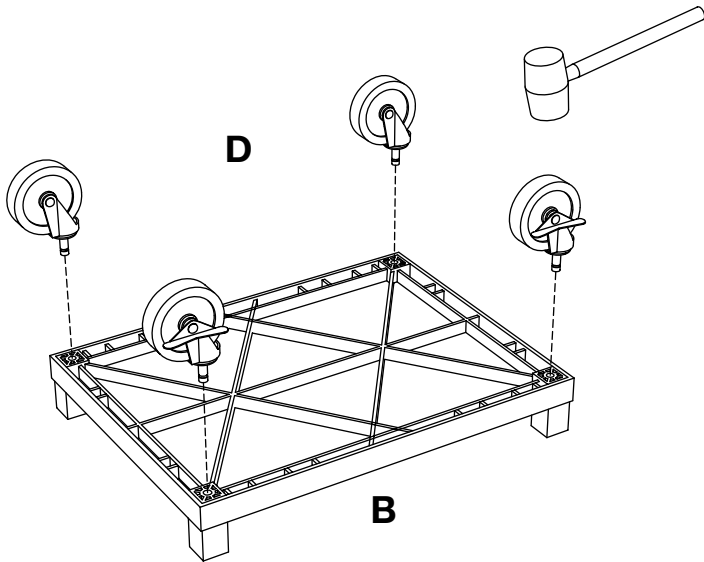


B x1



D x4

1 **2** Install optional cabinet pack assembly after step 1

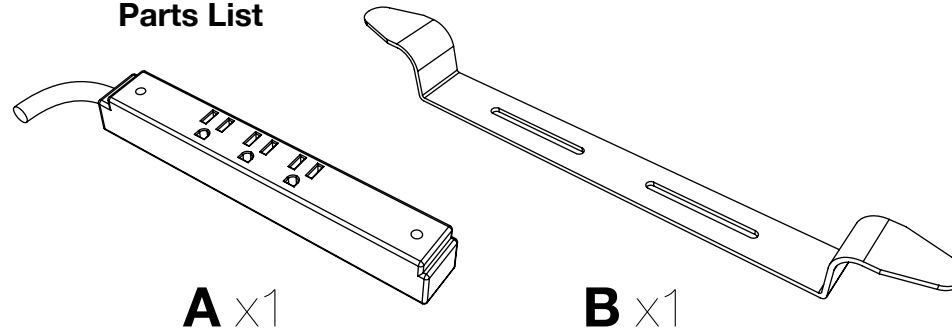


www.luxorfurn.com
www.hwilson.com

Electric Assembly Instructions

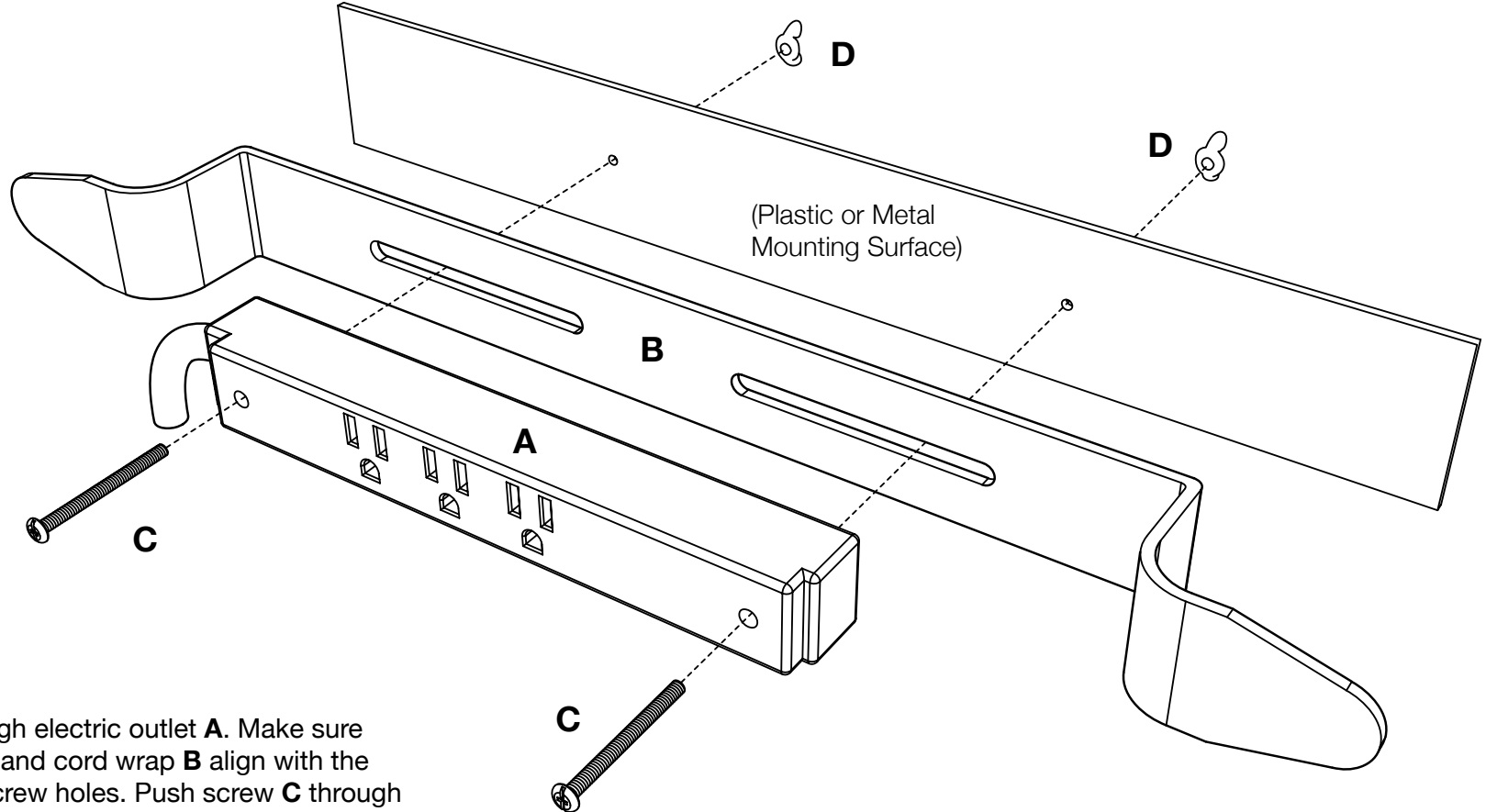
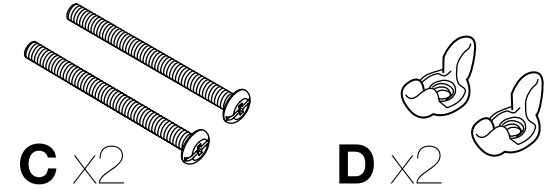
Number of outlets
may vary.

Parts List



Tools Required

- Screwdriver



1

Push screw **C** through electric outlet **A**. Make sure the electric outlet **A** and cord wrap **B** align with the mounting surface screw holes. Push screw **C** through cord wrap **B** and the mounting surface screw holes. Use wing nut **D** and screwdriver to fasten.