

www.luxorfurn.com  
www.hwilson.com

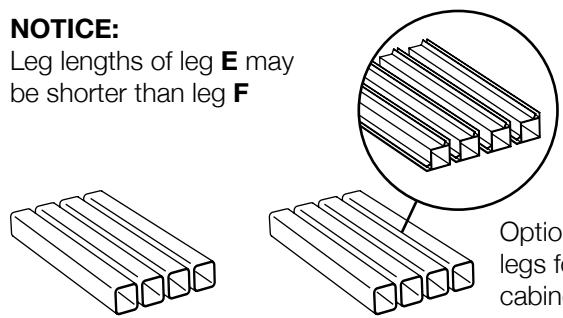
### Parts List

### Tools Required

- Rubber Mallet

#### NOTICE:

Leg lengths of leg **E** may be shorter than leg **F**

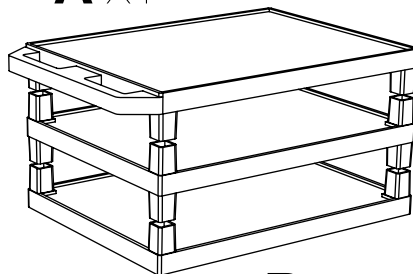


**E** x4

**F** x4

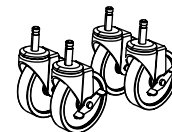
Optional fluted legs for units with cabinet pack

**A** x1



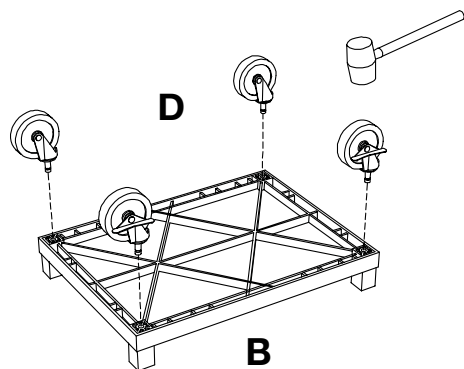
**B** x1

**C** x1



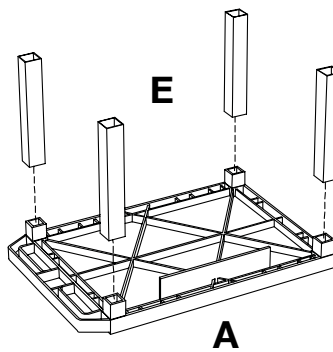
**D** x4

**1**

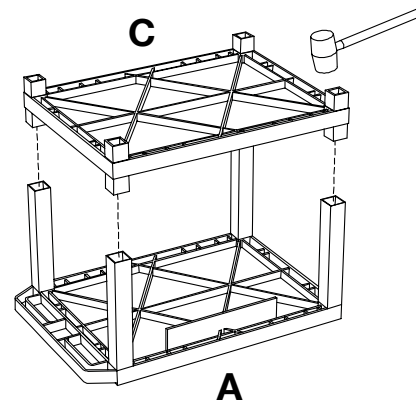


**2**

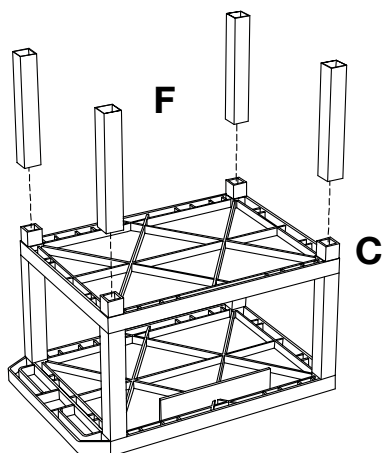
Install optional cabinet pack / pullout shelf / locking drawer assembly after step 1



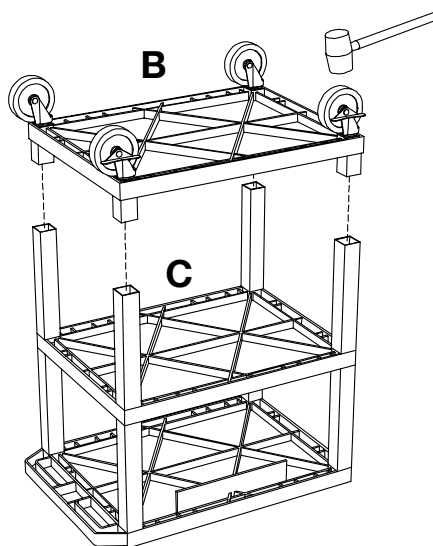
**3**



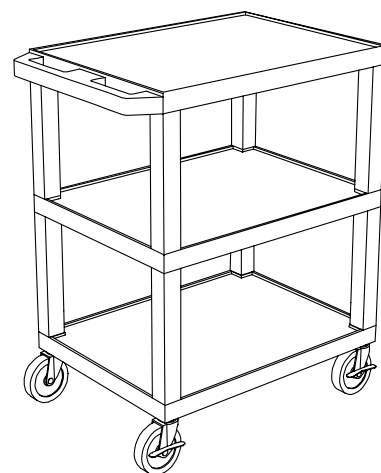
**4**



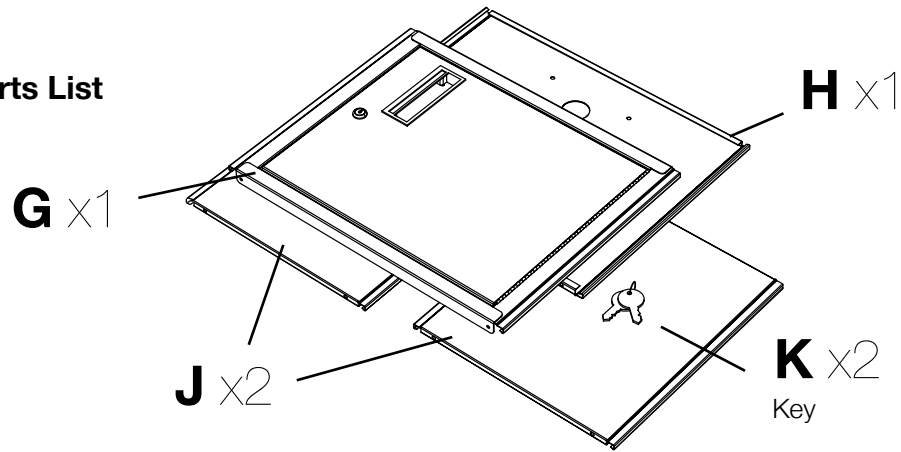
**5**



**6**



## Parts List



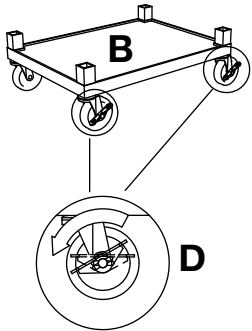
## Tools Required

- Rubber Mallet

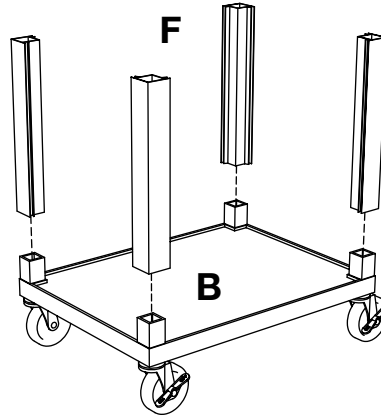
## Tuffy Cart Cabinet Pack Instructions

Please consult your Tuffy cart base unit instructions before starting

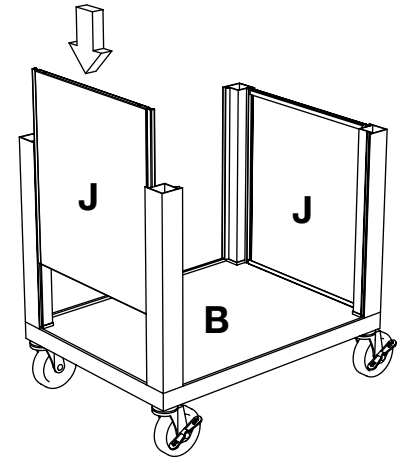
- 1** **IMPORTANT:** Flip shelf **B**, and lock the 2 locking casters **D** before assembling the unit.



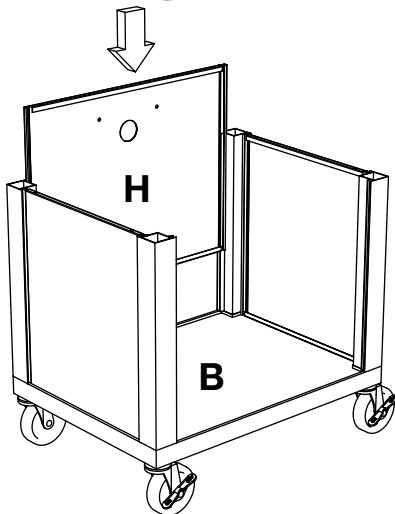
**2**



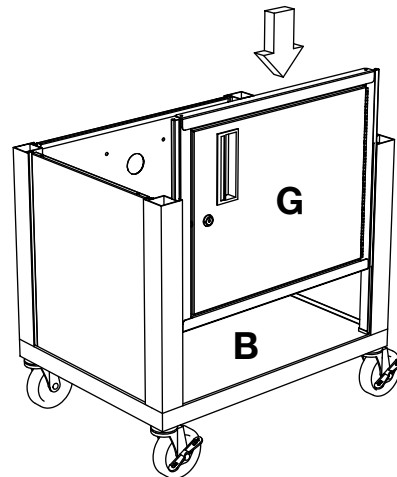
**3**



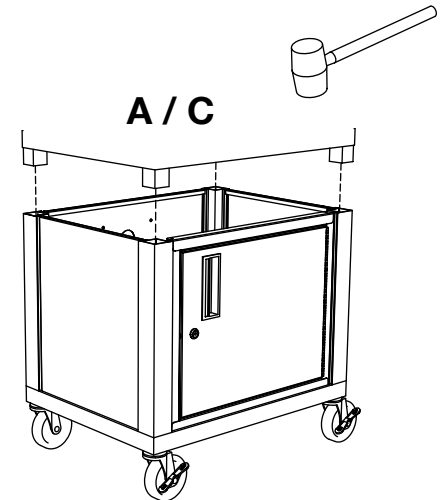
**4**



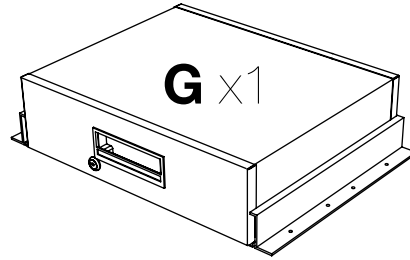
**5**



**6**

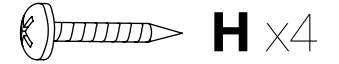


### Parts List



### Tools Required

- Phillips Screwdriver



**1**

With a Phillips Screwdriver, attach the drawer assembly to the top shelf with the 4 screws.

