

[www.luxorfurn.com](http://www.luxorfurn.com)  
[www.hwilson.com](http://www.hwilson.com)

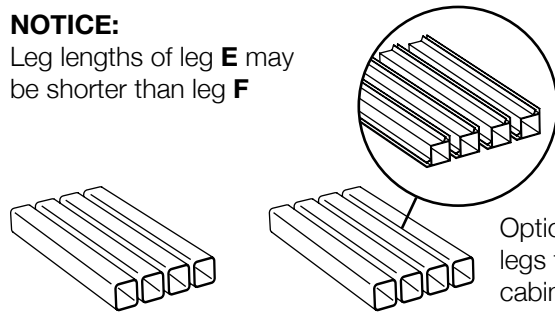
### Parts List

### Tools Required

- Rubber Mallet

#### NOTICE:

Leg lengths of leg **E** may be shorter than leg **F**

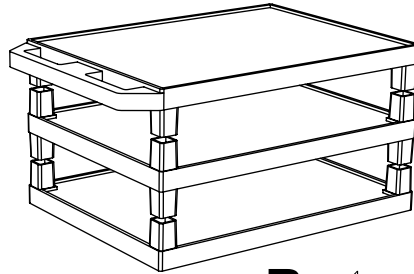


**E** x4

**F** x4

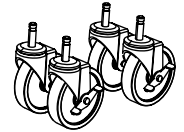
Optional fluted legs for units with cabinet pack

**A** x1



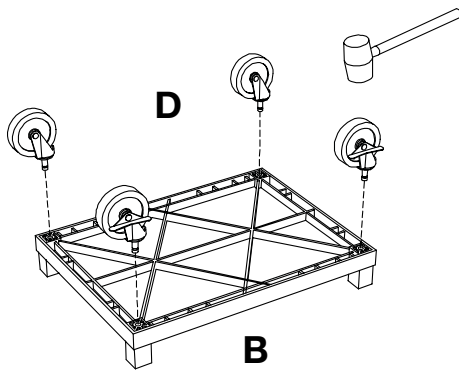
**B** x1

**C** x1



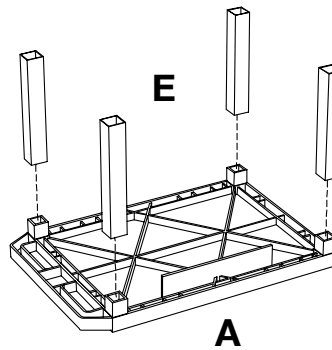
**D** x4

**1**

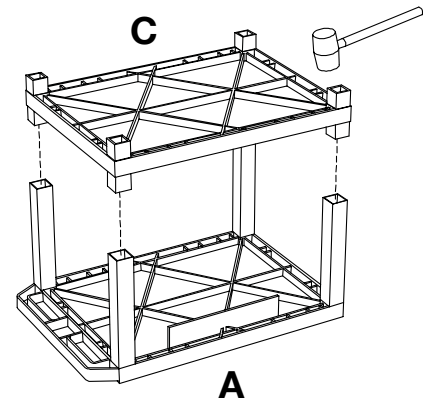


**2**

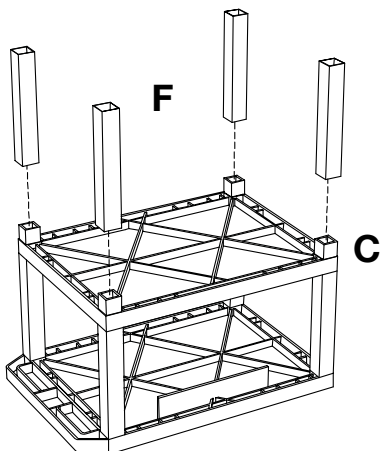
Install optional cabinet pack / pullout shelf / locking drawer assembly after step 1



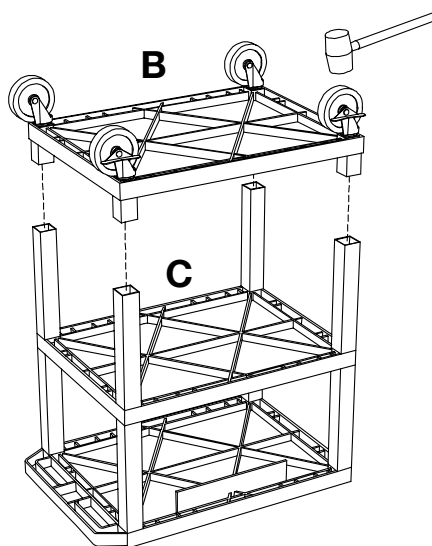
**3**



**4**



**5**



**6**

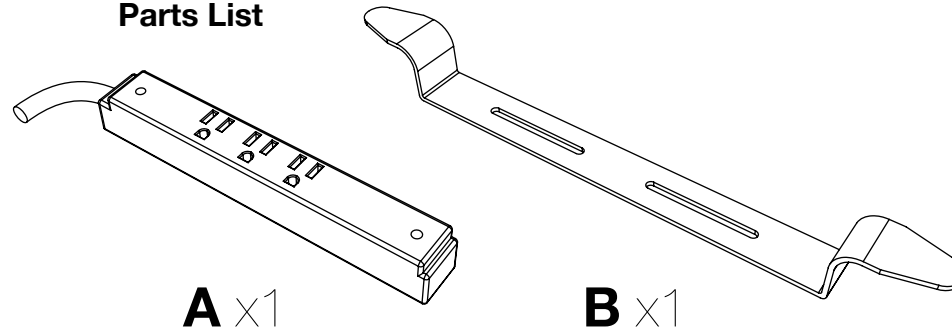


[www.luxorfurn.com](http://www.luxorfurn.com)  
[www.hwilson.com](http://www.hwilson.com)

## Electric Assembly Instructions

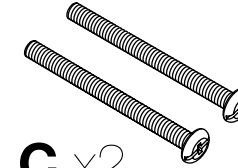
Number of outlets  
may vary.

### Parts List

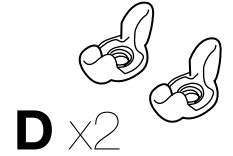


### Tools Required

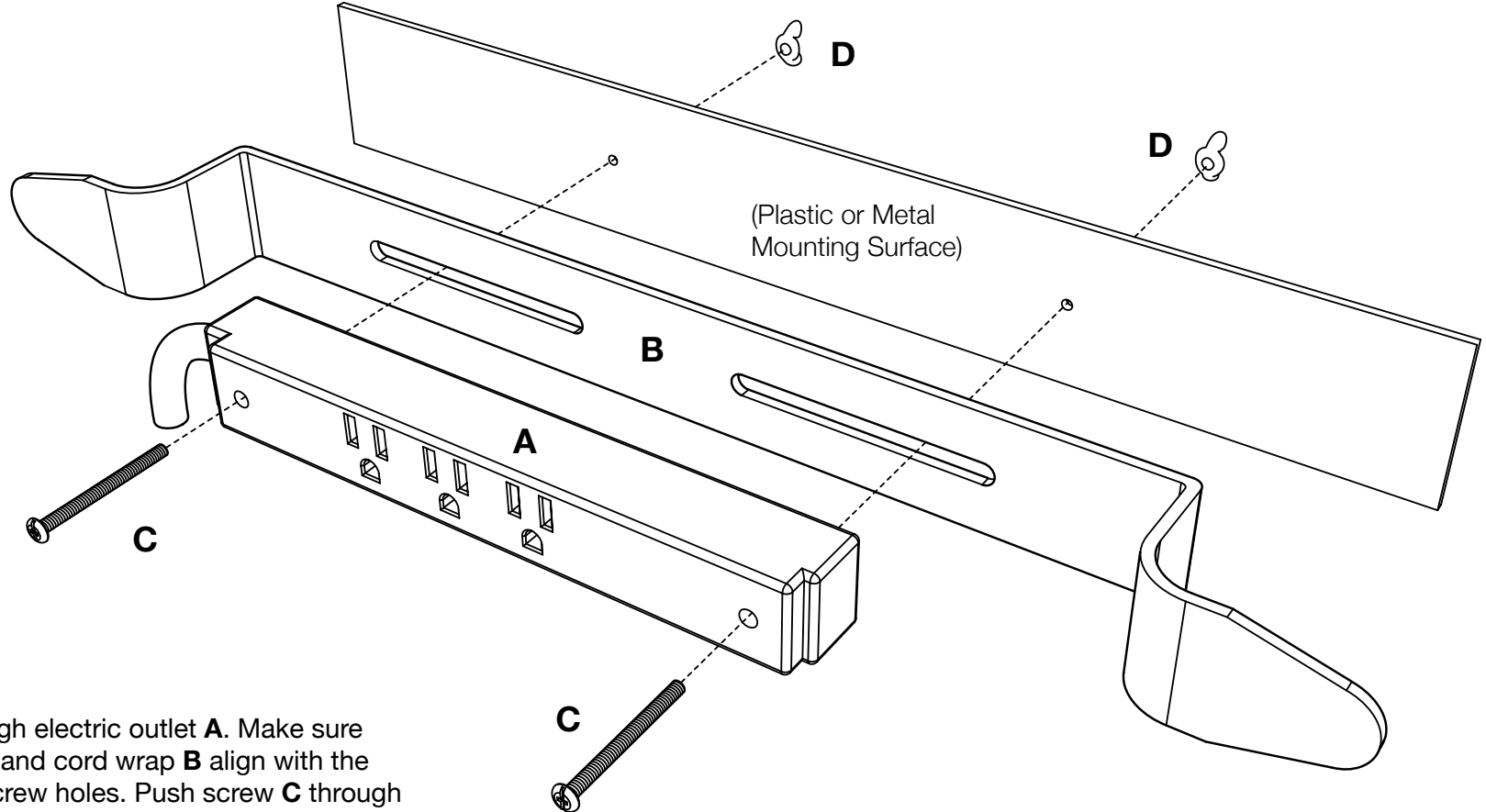
- Screwdriver



**C** x2



**D** x2



**1**

Push screw **C** through electric outlet **A**. Make sure the electric outlet **A** and cord wrap **B** align with the mounting surface screw holes. Push screw **C** through cord wrap **B** and the mounting surface screw holes. Use wing nut **D** and screwdriver to fasten.