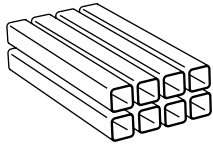


www.luxorfurn.com
www.hwilson.com

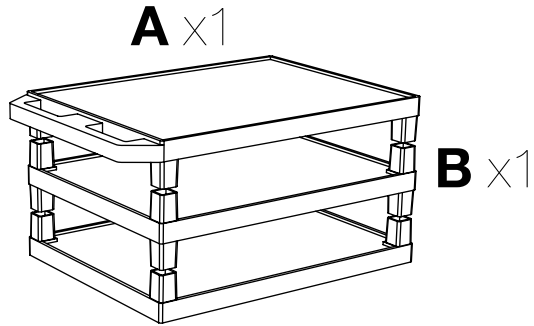
Parts List

Tools Required

- Rubber Mallet



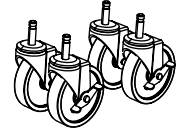
D x8



A x1

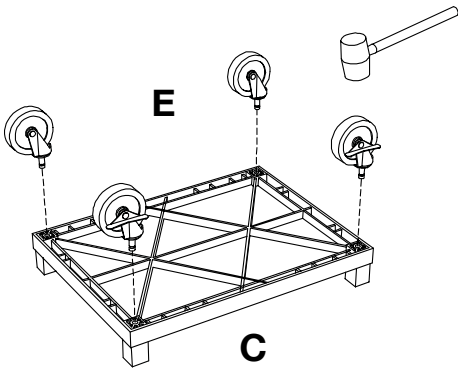
C x1

B x1

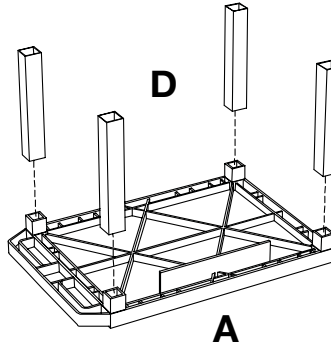


E x4

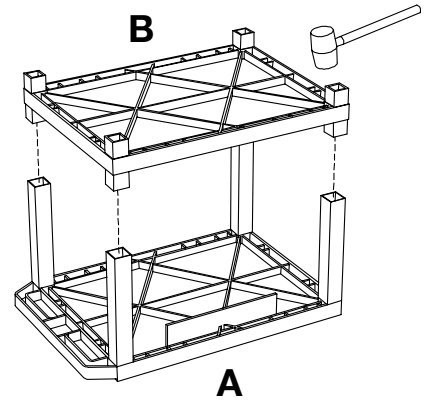
1



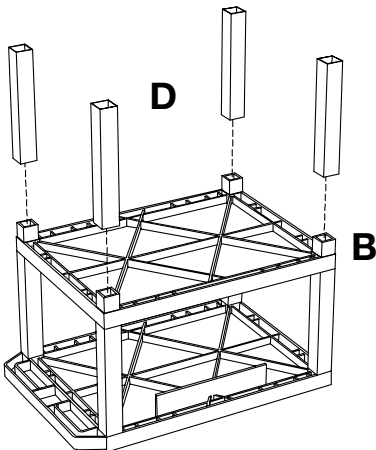
2



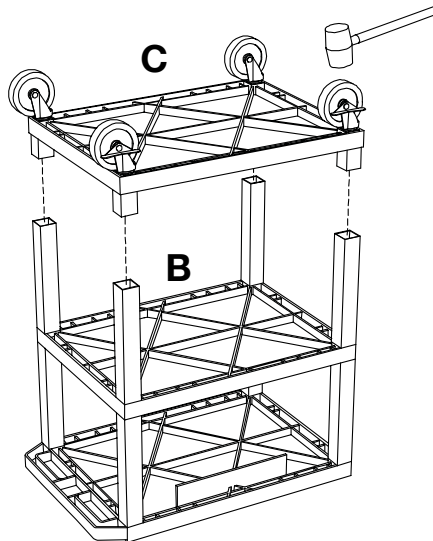
3



4



5



6

