

www.luxorfurn.com
www.hwilson.com

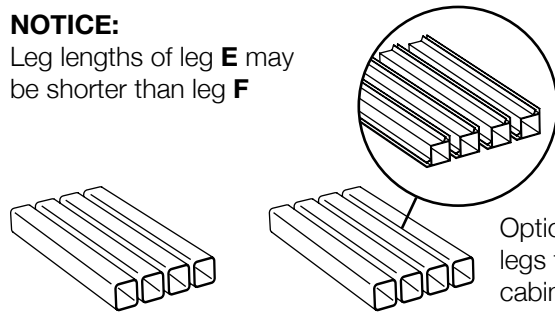
Parts List

Tools Required

- Rubber Mallet

NOTICE:

Leg lengths of leg **E** may be shorter than leg **F**

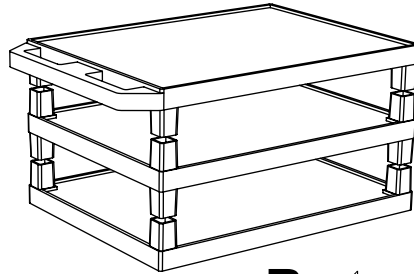


E x4

F x4

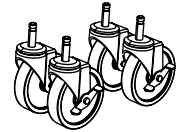
Optional fluted legs for units with cabinet pack

A x1



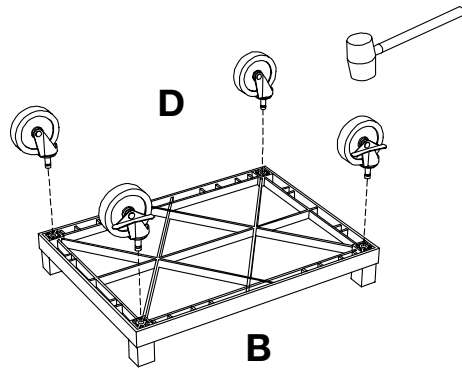
B x1

C x1



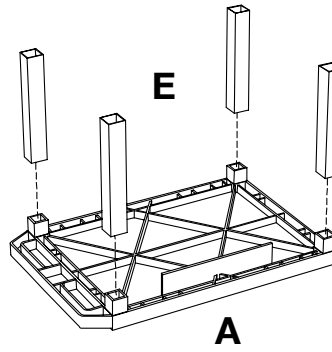
D x4

1

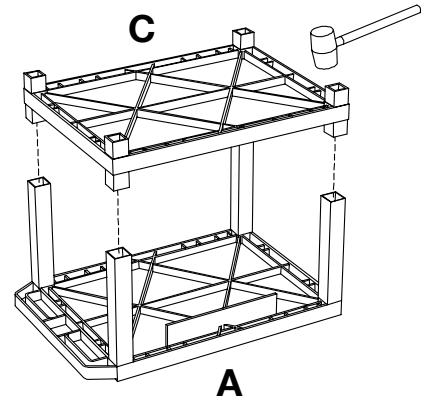


2

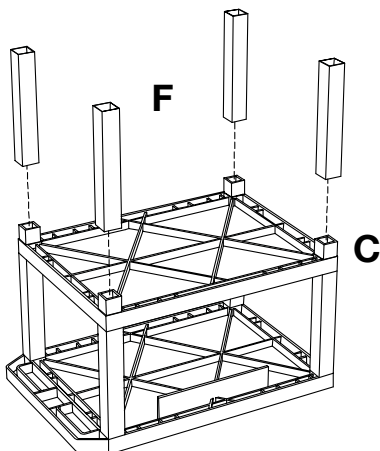
Install optional cabinet pack / pullout shelf / locking drawer assembly after step 1



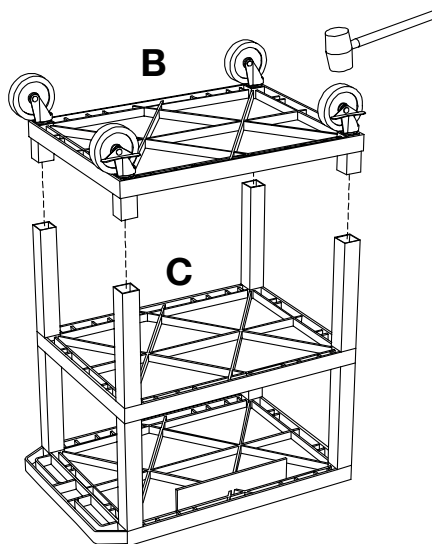
3



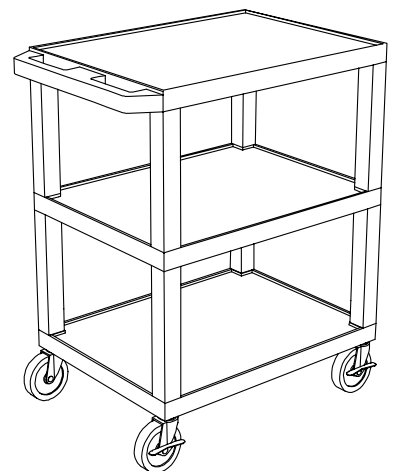
4



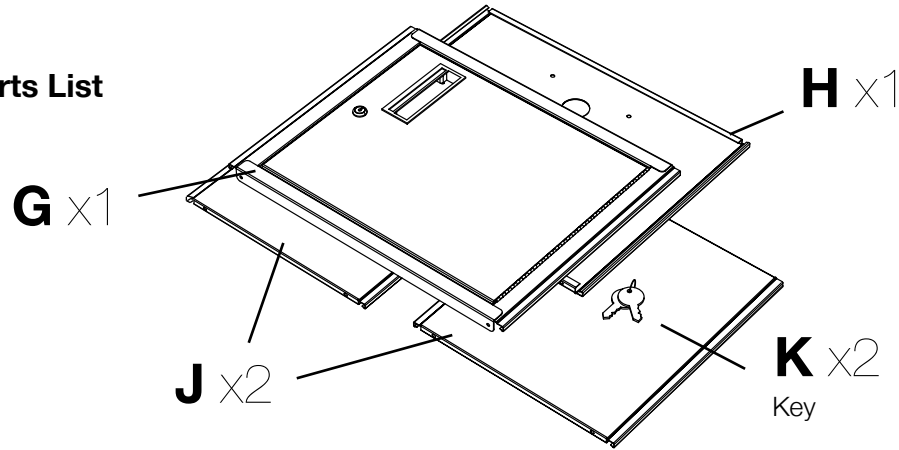
5



6



Parts List



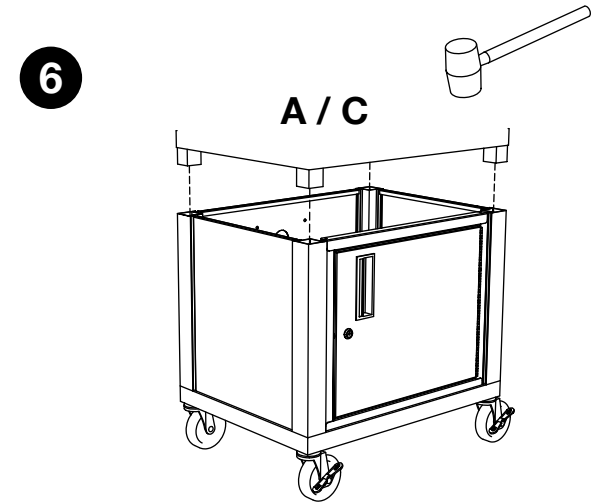
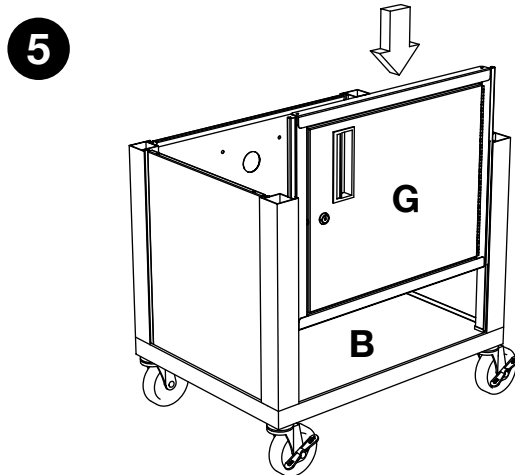
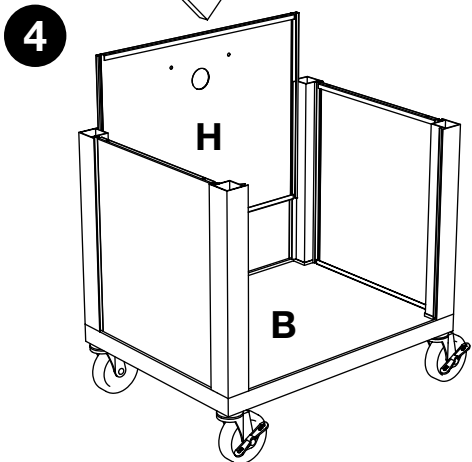
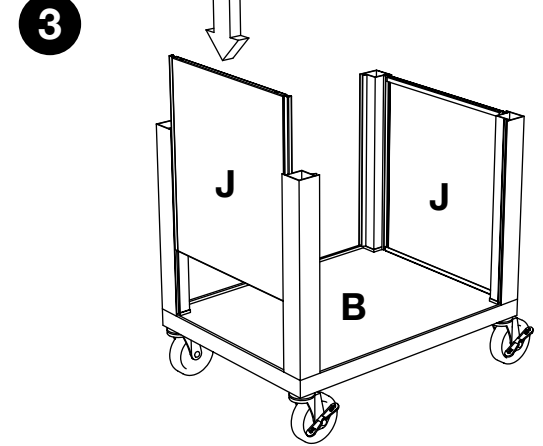
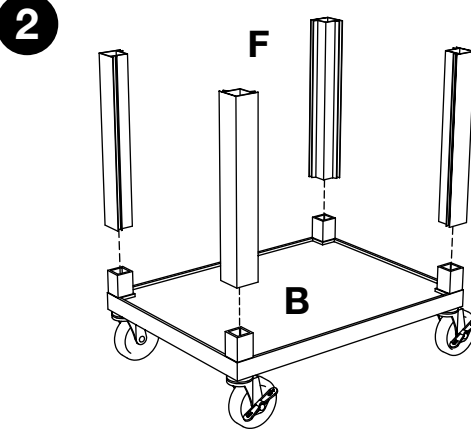
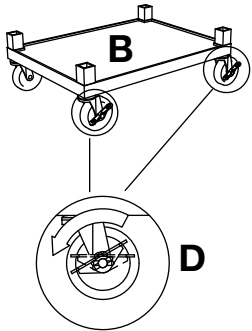
Tools Required

- Rubber Mallet

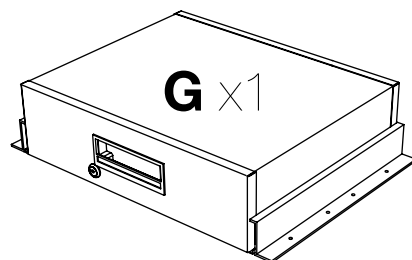
Tuffy Cart Cabinet Pack Instructions

Please consult your Tuffy cart base unit instructions before starting

- 1** **IMPORTANT:** Flip shelf **B**, and lock the 2 locking casters **D** before assembling the unit.



Parts List



Tools Required

- Phillips Screwdriver



1

With a Phillips Screwdriver, attach the drawer assembly to the top shelf with the 4 screws.

