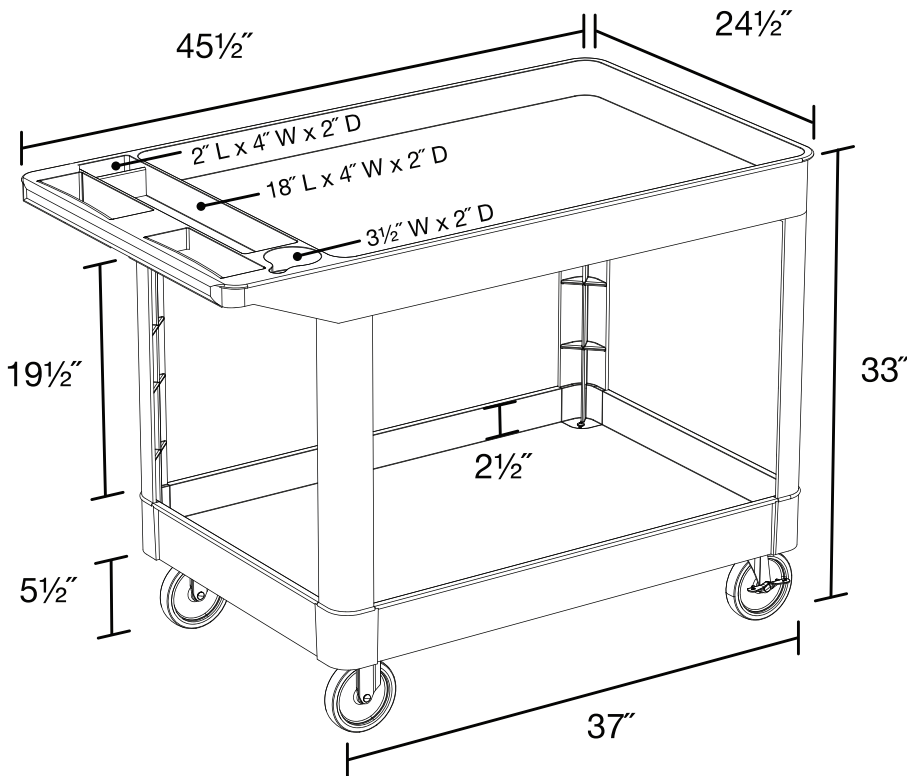


# XLC11 TWO-SHELF HEAVY-DUTY UTILITY CART

**Product Specifications:**

<b>Item Number</b>	XLC11-B
<b>Shelf and Leg Material</b>	High-density polyethylene (HDPE or PEHD)
<b>Dimensions</b>	24.5" W x 45.5" L x 33"– 36" H (height varies by caster size)
<b>Shelf Dimensions</b>	2.5" D x 37" L x 24.5" W 22" of space between top and bottom shelves
<b>Weight Capacity</b>	500 lbs.
<b>Casters</b>	Four options: <ul style="list-style-type: none"> <li>• 5" heavy-duty</li> <li>• 5" semi-pneumatic</li> <li>• 6" semi-pneumatic</li> <li>• 8" fully-pneumatic</li> </ul> (All options are Non-Marking Casters)
<b>Box Size</b>	25" W x 45" D x 8" H
<b>Actual Weight</b>	37.8 lbs.
<b>Shipping Weight</b>	46 lbs.
<b>Shipping Method</b>	UPS
<b>Assembly Required</b>	Yes



Reinforced ribbing is molded into both shelves for extra strength.