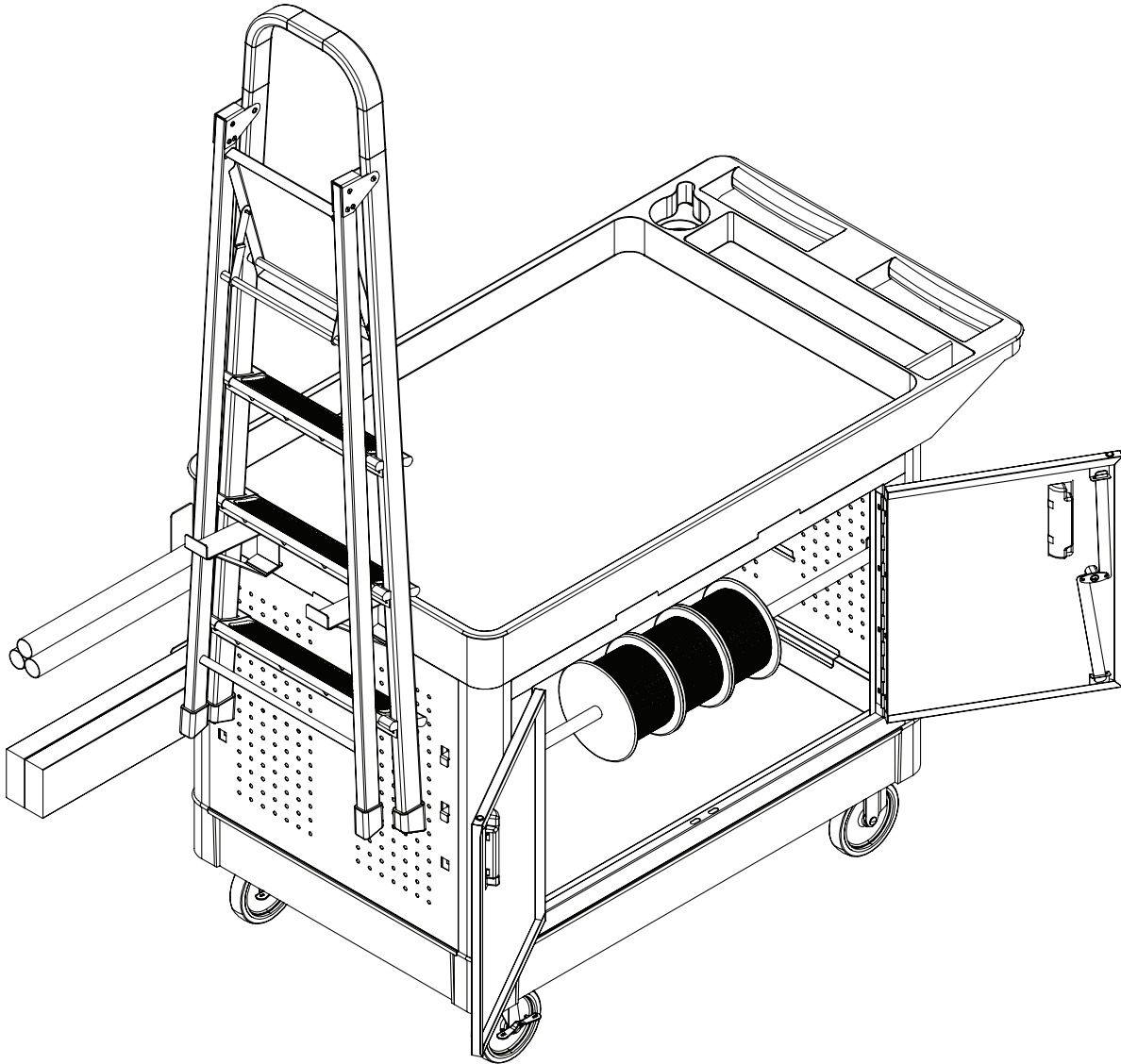


WAREHOUSE MAINTENANCE CART - XLC11C1

Ladder, pipe, lumber, and spools not included



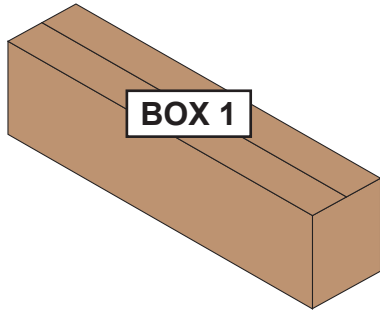
LUXOR
WORKSPACES

Questions or concerns?
Contact us directly!

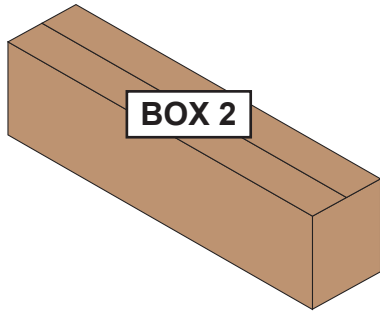
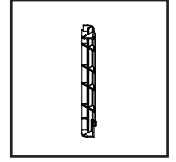
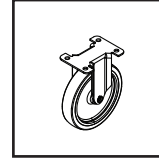
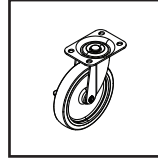
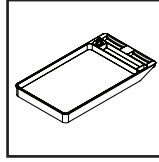
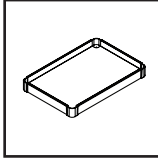


1-800-323-4656
Info@LuxorWorkspaces.com

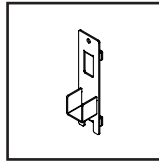
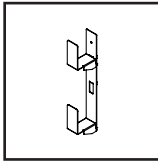
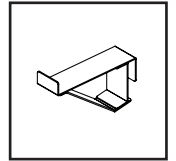
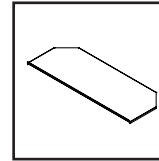
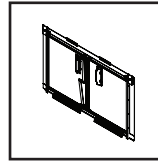
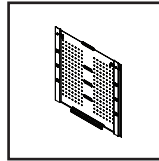
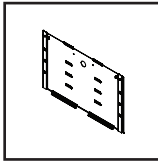
MULTI-BOX BREAKDOWN NOT TO SCALE



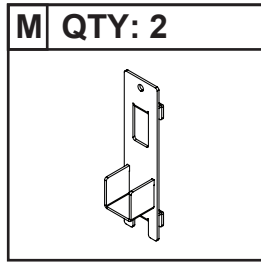
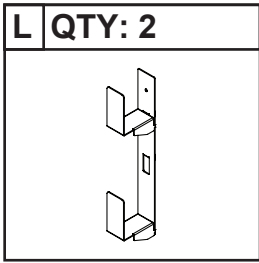
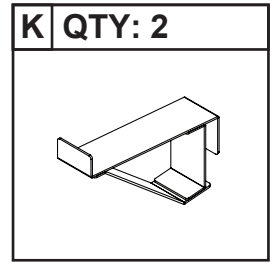
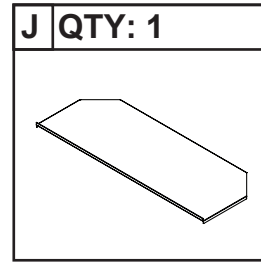
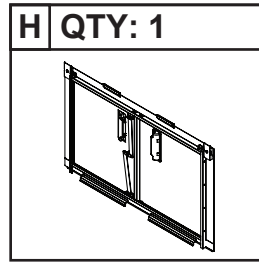
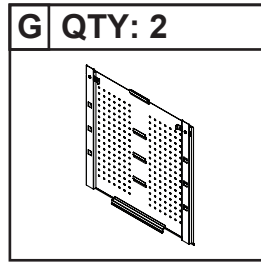
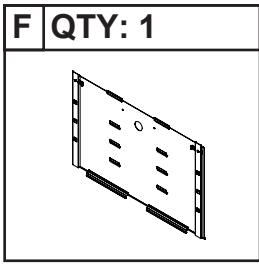
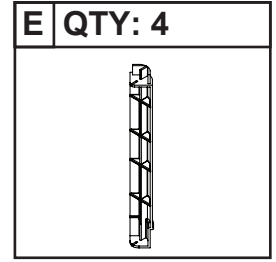
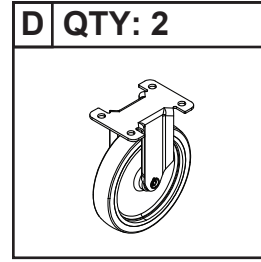
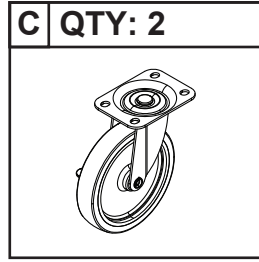
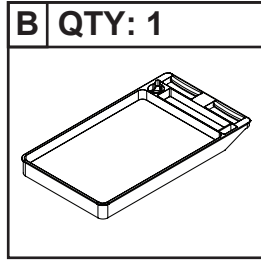
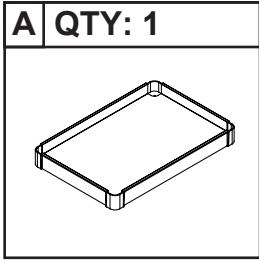
XLC11-B



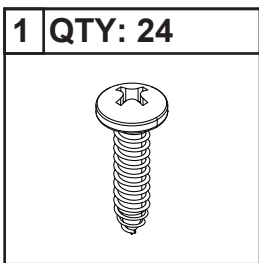
CPUC001



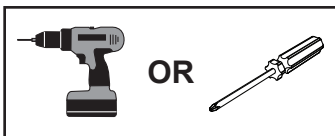
PARTS INCLUDED NOT TO SCALE



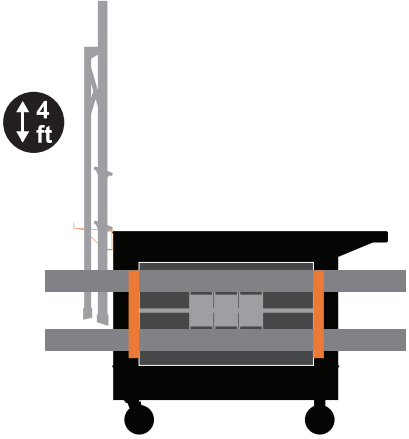

HARDWARE INCLUDED NOT TO SCALE

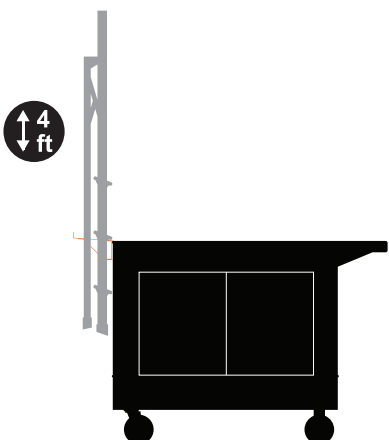



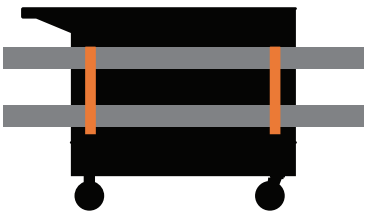

TOOLS REQUIRED

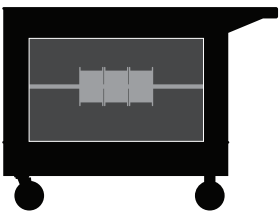



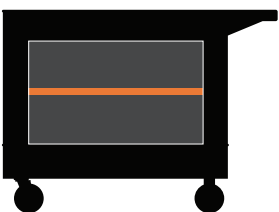

WARNING NOTES

	<p>OVERALL MAXIMUM WEIGHT CAPACITY - EVENLY DISTRIBUTED -</p> 
---	--

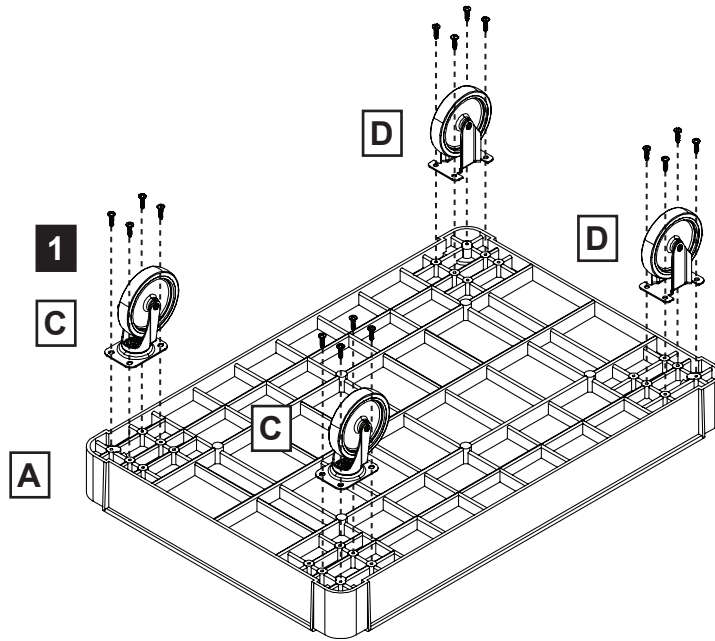
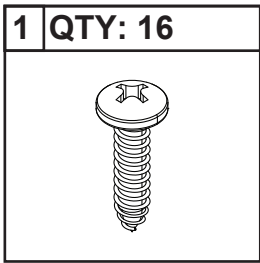
	<p>LADDER BRACKET MAXIMUM WEIGHT CAPACITY - EVENLY DISTRIBUTED -</p> 
--	---

	<p>UTILITY BRACKET MAXIMUM WEIGHT CAPACITY - EVENLY DISTRIBUTED -</p> 
---	--

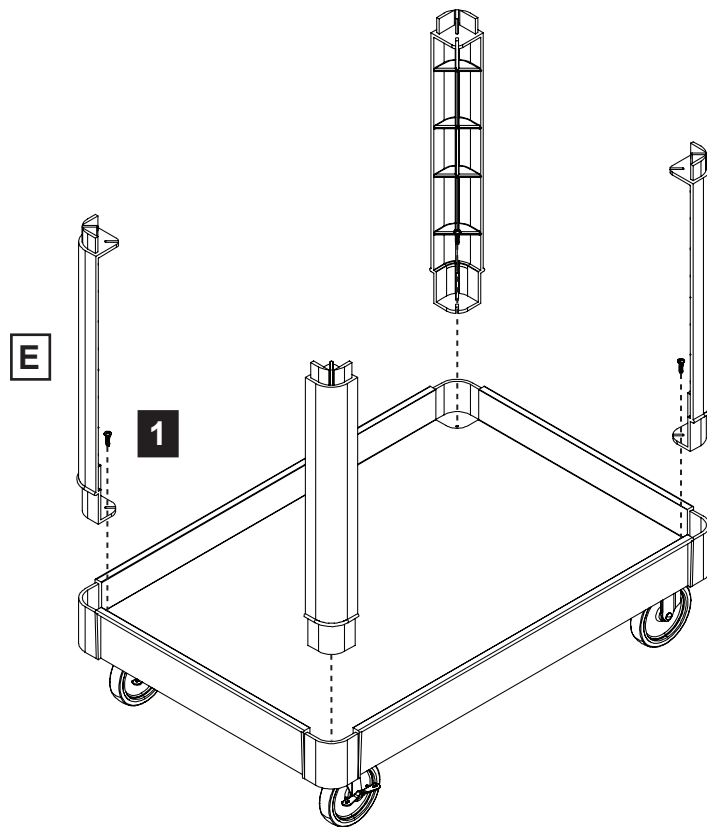
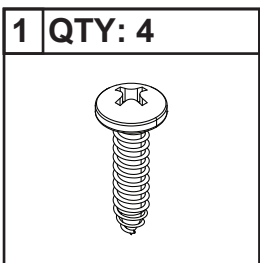
	<p>SPOOL BRACKET MAXIMUM WEIGHT CAPACITY - EVENLY DISTRIBUTED -</p> 
---	--

	<p>SHELF MAXIMUM WEIGHT CAPACITY - EVENLY DISTRIBUTED -</p> 
---	--

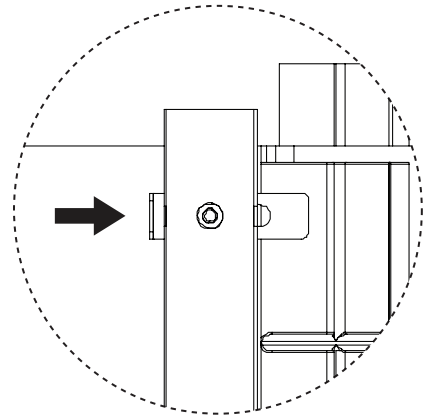
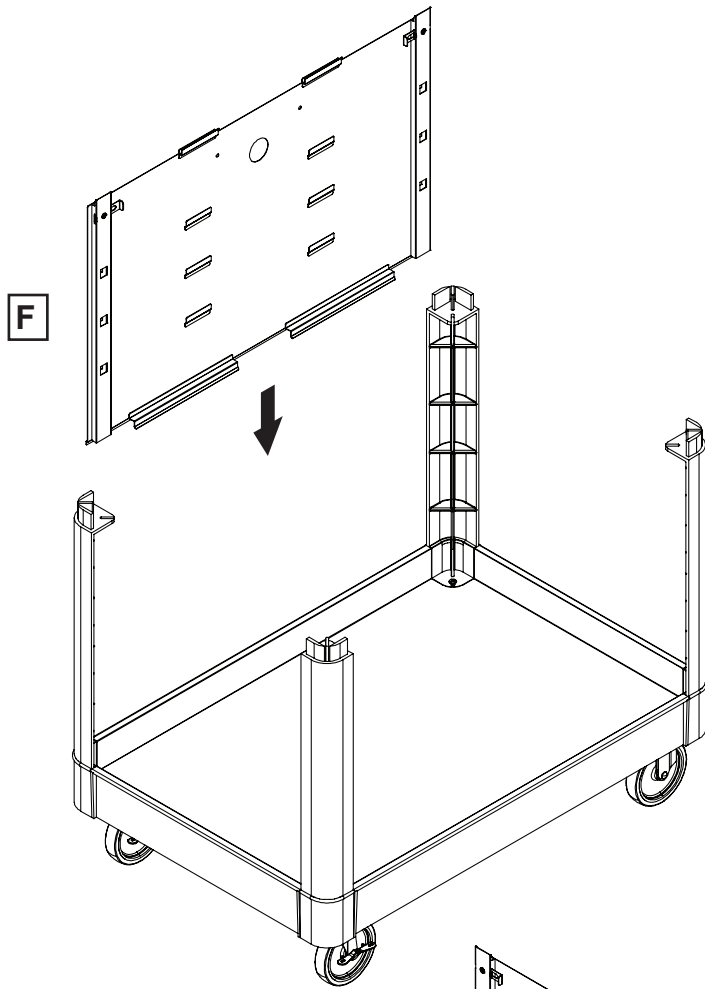
1



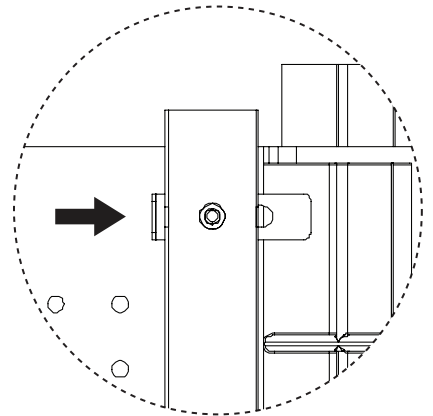
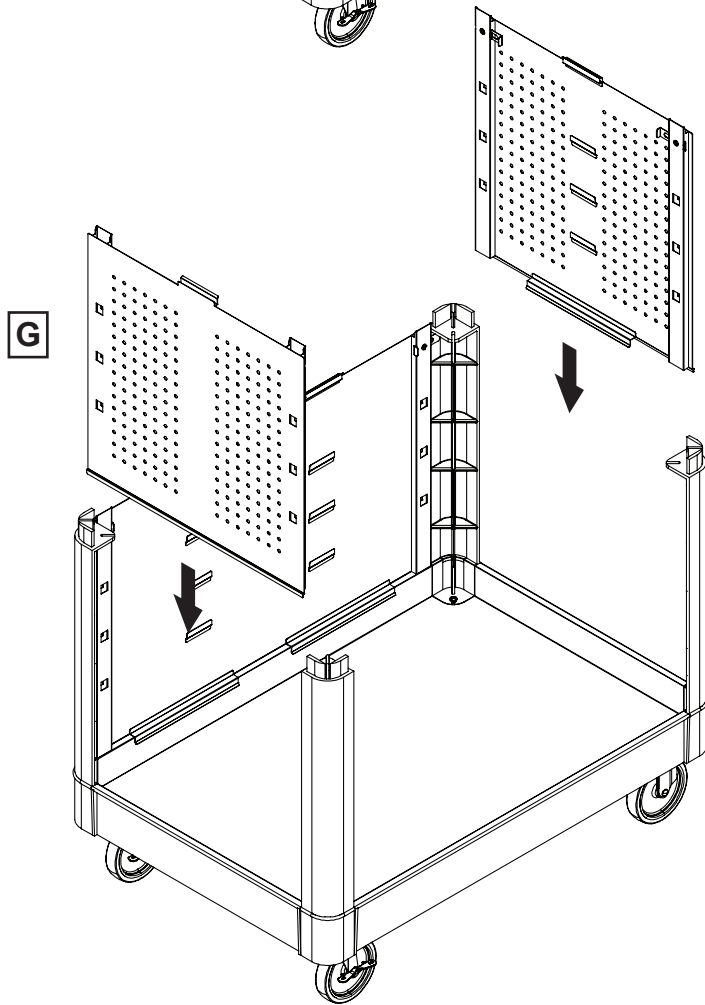
2



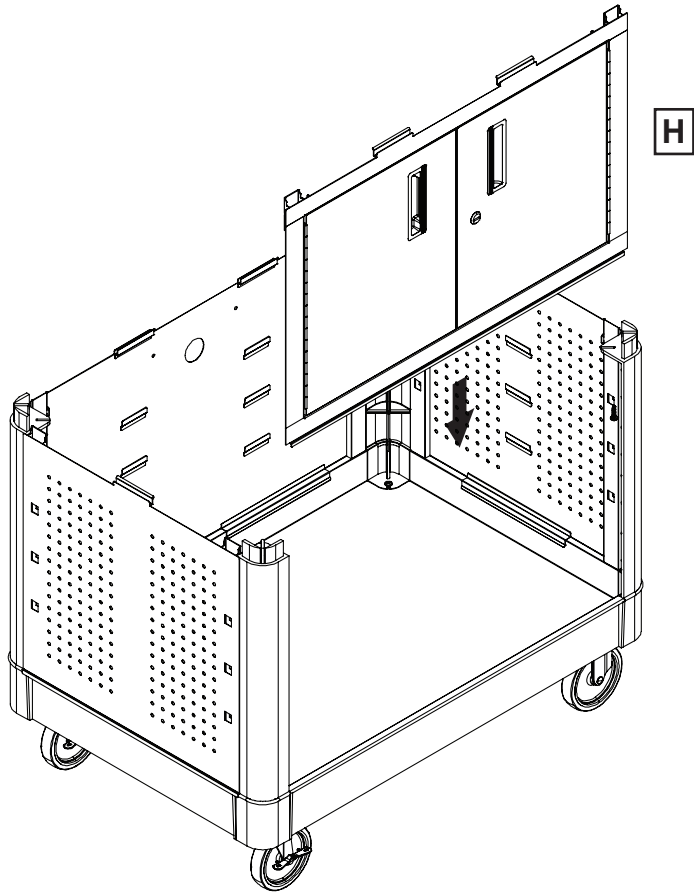
3



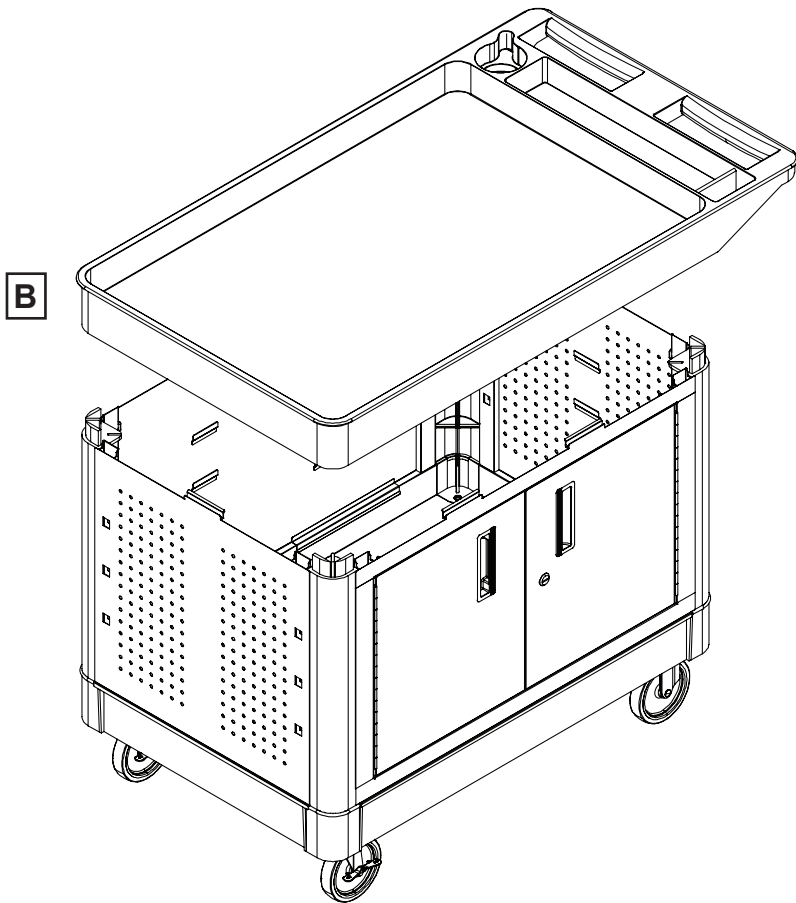
4



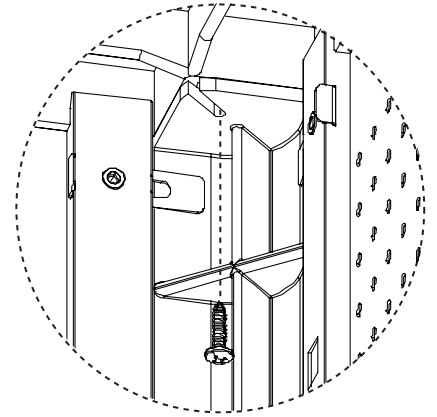
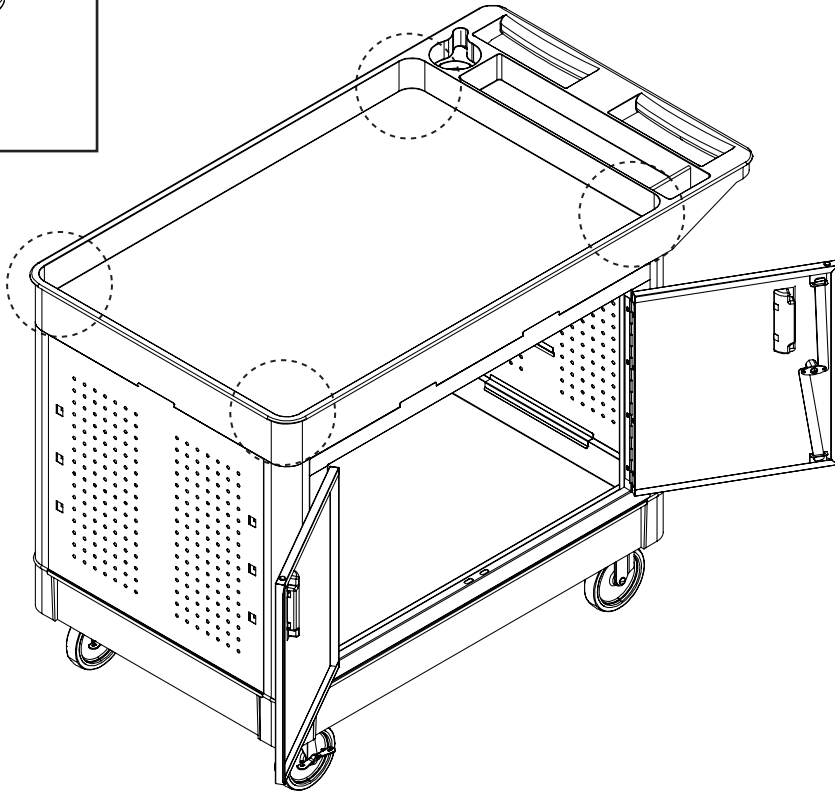
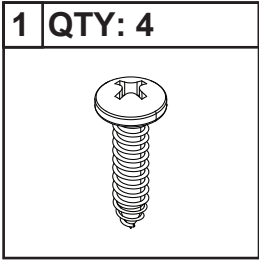
5



6

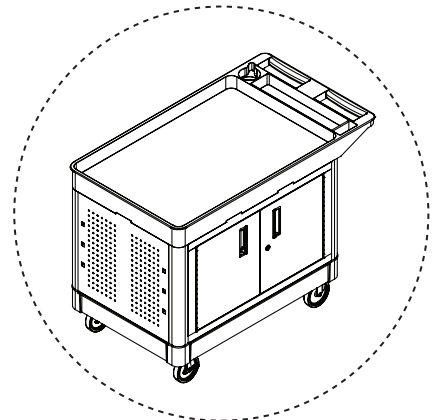
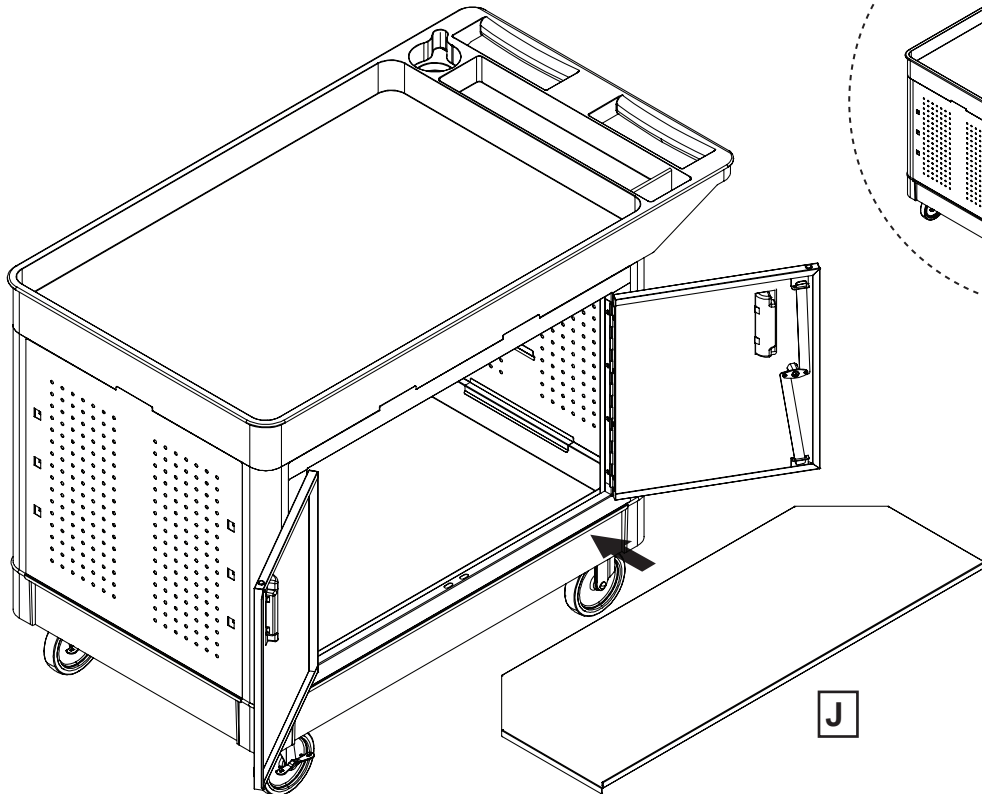


7



Connect parts **B** and **E** with screws, it will be hard, but I believe in you

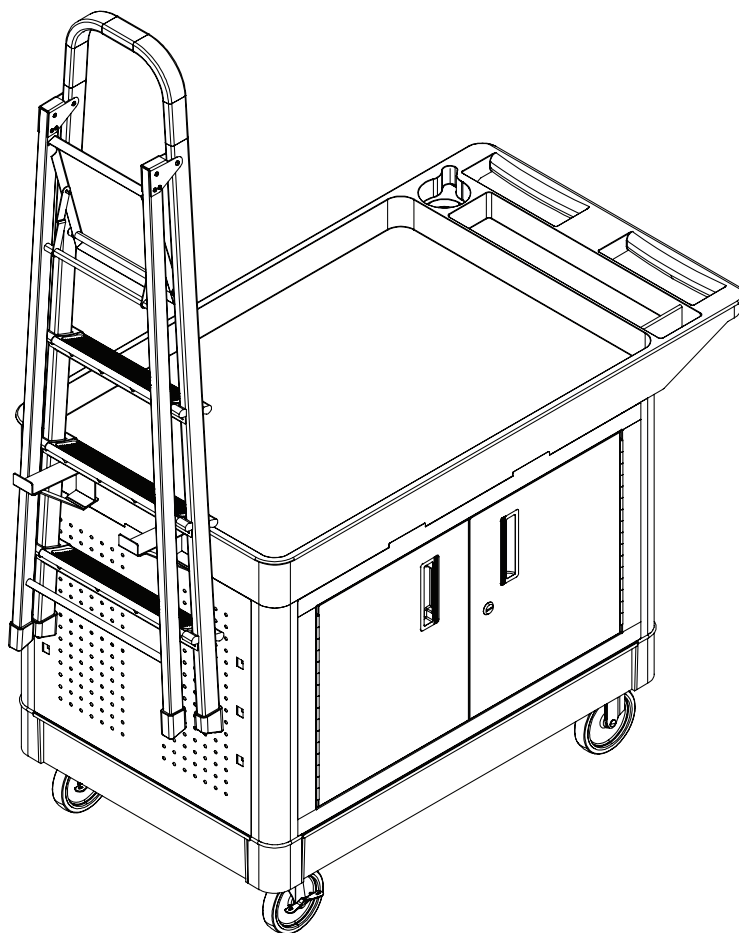
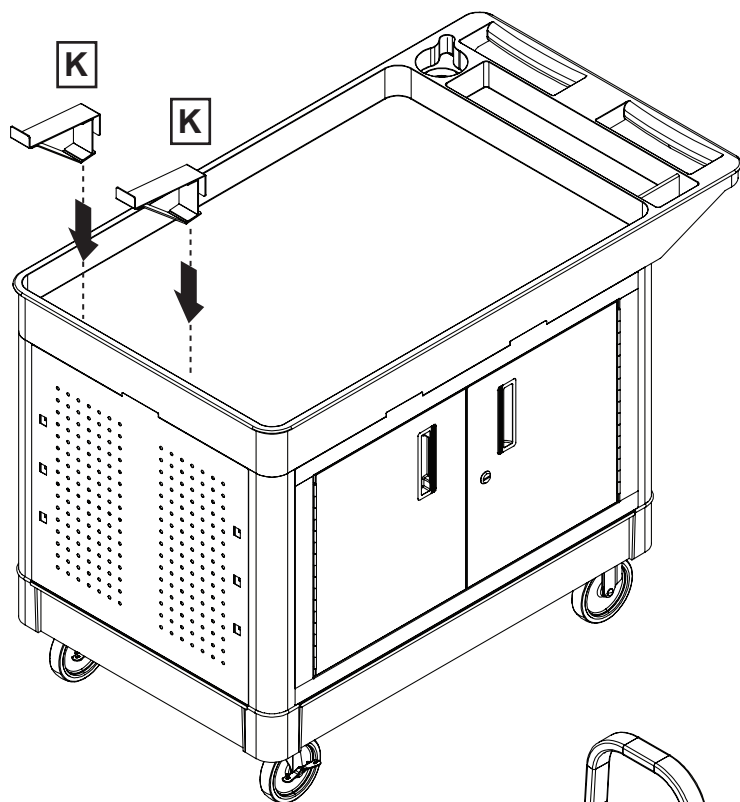
8



Great job!

LADDER BRACKETS

Ladder not included

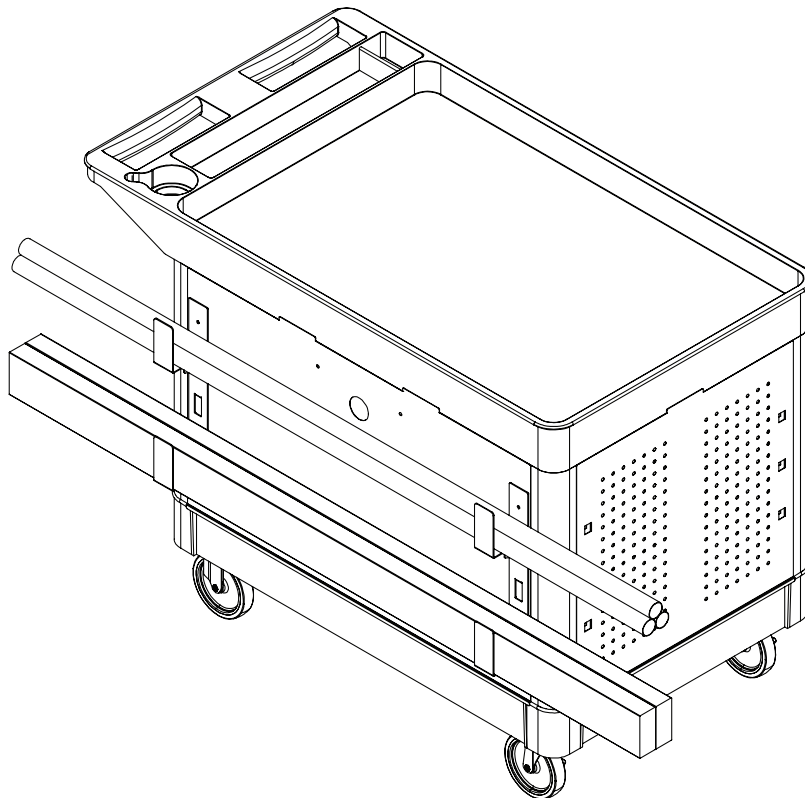
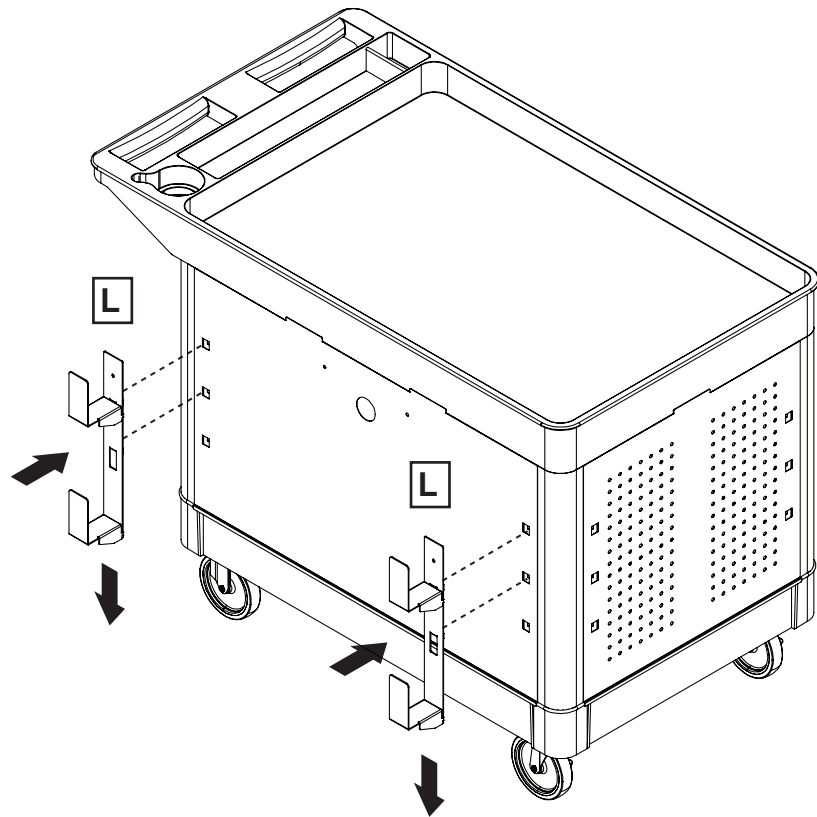


UTILITY BRACKETS

Pipe and lumber not included



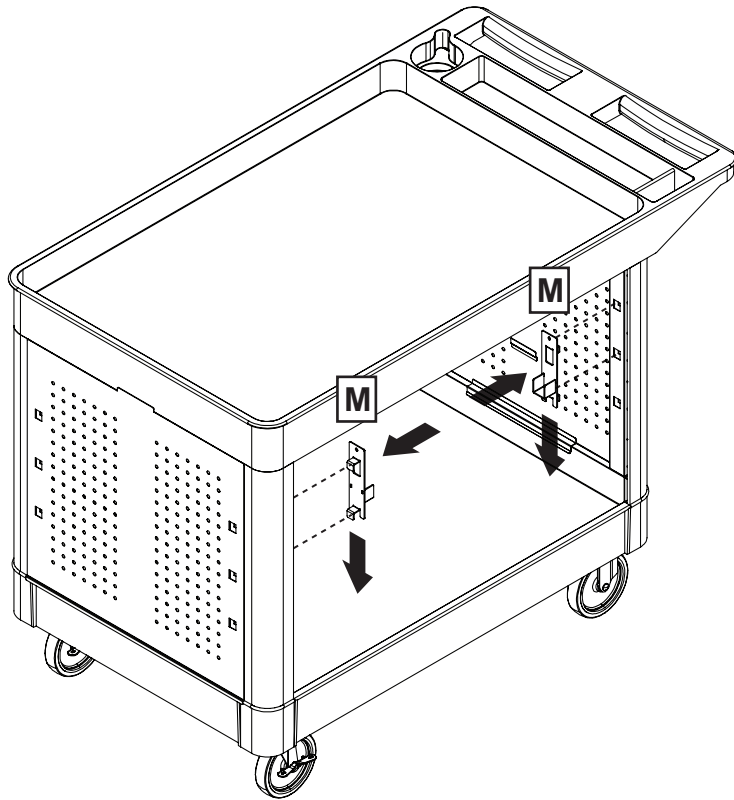
Listen for "snap"



SPOOL BRACKETS

Part H not shown for visualization purposes

Pipe and spools not included



Listen for "snap"



Size of spools may be limited to shut door

