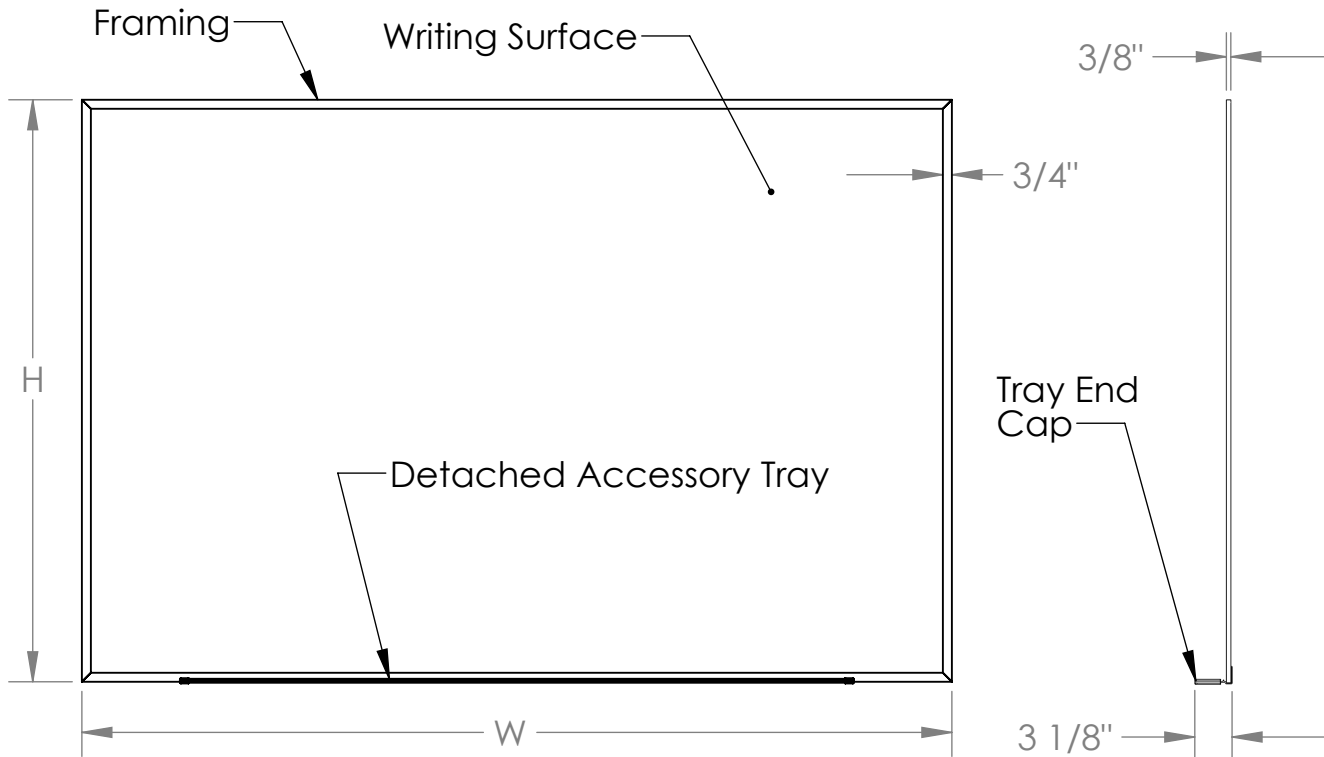


M3 Series

Aluminum Framed Painted Steel WhiteBoards



Materials:

- Framing and Detached Accessory Tray: Satin anodized aluminum extrusion
- Writing Surface: White painted 28 gauge steel sheet, laminated to 1/4" thick hardboard with mylar film backing.
- Detached Accessory Tray End Caps: Gray thermoplastic.

Features:

- Board hangers are included.
- An eraser and black marker is included with each 3' X 5' and larger boards.
- Available in (8) sizes: 2'H x 3'W, 3'H x 4'W, 4'H x 4'W, 4'H x 5'W, 4'H x 6'W, 4'H x 8'W, 4'H x 10'W, or 4'H x 12'W
- The board is guaranteed for 20 years

Notes:

- Wall mounting fasteners are not included.
- Indoor use only.