

INSTALLATION MANUAL



Polaris™
Universal Projector Mount
Model: MAG

Touchboards

205 Westwood Ave, Long Branch, NJ 07740
Phone: 866-94 BOARDS (26273) / (732)-222-1511
Fax: (732)-222-7088 | E-mail: sales@touchboards.com



Table of Contents

Parts List - 3 -

Installation Tools - 3 -

Features - 4 -

Selecting the Proper Mounting Hardware..... - 4 -

Attaching the Mount - 5 -

Single Mounting Point Installation - 5 -

Ceiling Installation..... - 6 -

Adjusting the Projector - 6 -

Troubleshooting Procedures - 7 -

Technical Specifications - 7 -

Warranty - 8 -

Contact Premier Mounts - 8 -

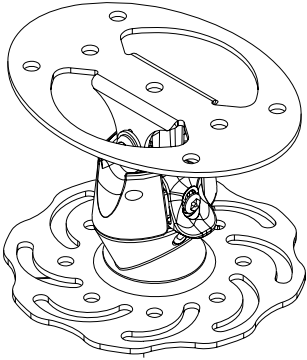

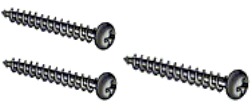



Warning Statements - 8 -

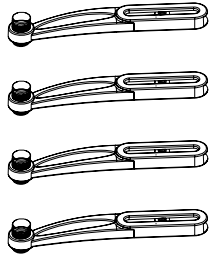
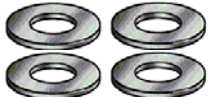





Parts List

NOTE: This mount is shipped with all proper installation hardware and components. Make sure that none of these parts are missing and/or damaged before beginning installation. If there are parts missing and/or damaged, please stop the installation and contact Premier Mounts (800-368-9700).

NOTE: Please review all WARNING and CAUTION statements (see Page 8) before beginning the installation of the MAG Mount.

MAG Mount (Qty 1)	
M6 x 12mm Security Screw (Qty 8)	
#14 X 2" Wood Screw (Qty 3)	
M4 x 12mm Security Screw (Qty 6)	
1/4 - 20 x 5/16" Security Screw (Qty 1)	
M4 Star Washers (Qty 2)	

Mounting Legs (Qty 4)	
M3 Flat Washers (Qty 4)	
M5 x 12mm Security Screw (Qty 4)	
M3 x 16mm Security Screw (Qty 4)	
Plastic Barrel Caps (Qty 4)	

Installation Tools

Phillips Head Screw Driver

Soft Material/ Blanket

Tape Measure

Ladder

M3 Security Allen Wrench (Supplied)

Portable Drill

Pencil

Stud Finder (Commercially Available)

M5 Security Allen Wrench (Supplied)

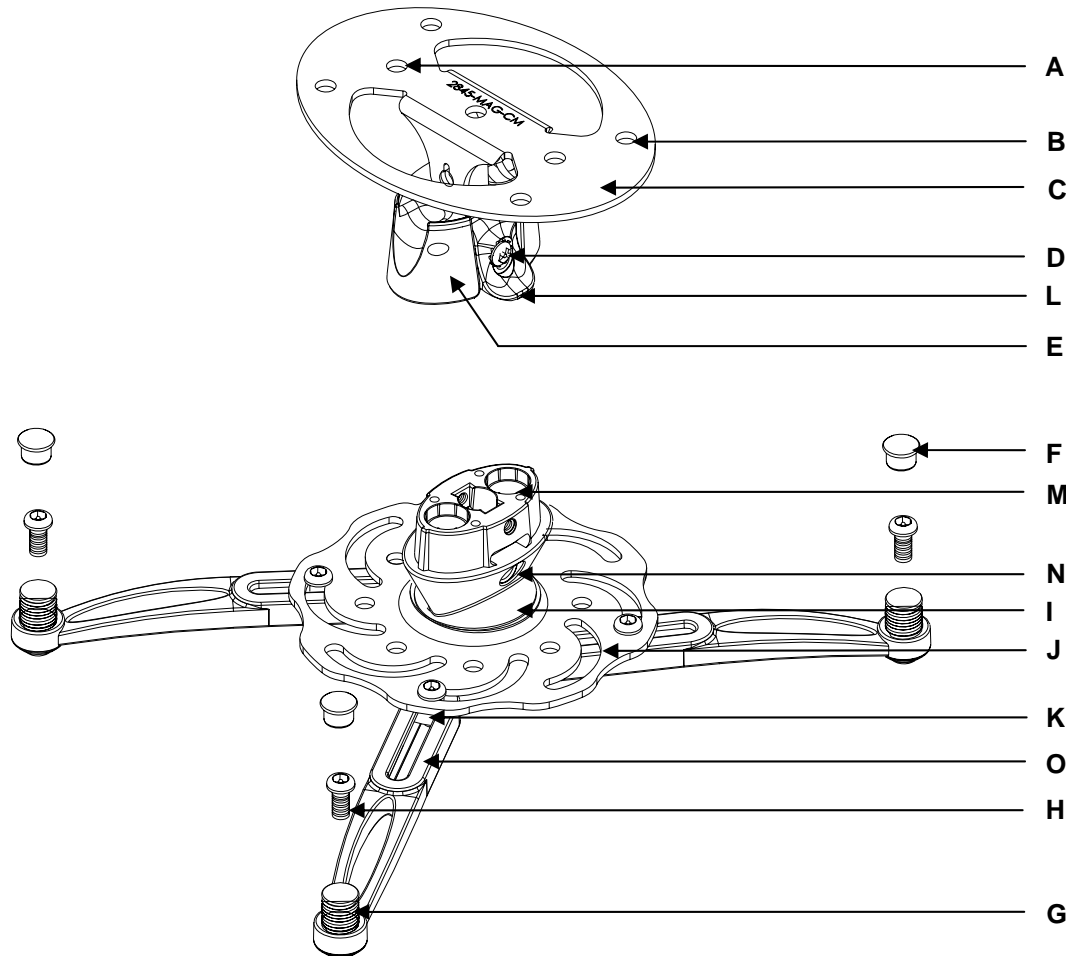
Masonry Bit (Commercially Available)



Features

Congratulations on the purchase of your new Premier Mounts Polaris™ Universal Projector Mount. The projector mount can be configured for ceiling and or wall installations. The Polaris™ features our exclusive MagnaGuide™ Technology which assists the installer for quicker installation times and peace of mind.

- A Single Wooden Stud
- B Mounting Points
- C Solid Structure
- D Mounting Points
- E Ceiling Plate
- F M4 x 12mm Security Screw and Star Washer
- G MagnaGuide™ - Upper Assembly
- H Barrel Cap
- I Leveling Barrel
- J Mounting Hardware
- K MagnaGuide™-Lower Assembly
- L Projector Plate
- M M6 Square Nut
- N Locking Tab
- O Magnets
- P Radial Glide™ Set
- Q Screw
- R Mounting Leg



Selecting the Proper Mounting Hardware

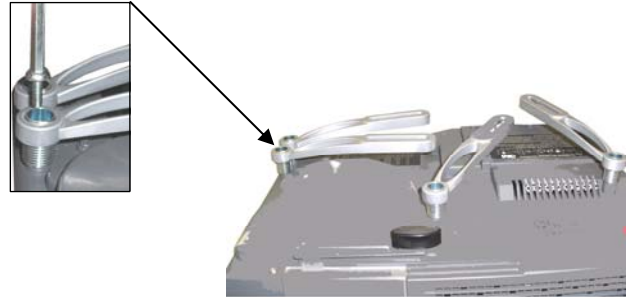
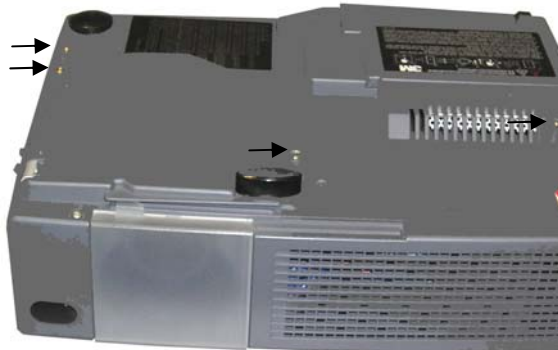
1. Invert the projector and locate the mounting points.
2. Test each size of the screws provided.
3. The correct screws should thread easily into the mounting point and not pull out when pressure is applied.

WARNING: DO NOT OVERTIGHTEN YOUR MOUNTING SCREWS TO THE PROJECTOR CHASSIS. USING THE INCORRECT SCREW DEPTH MAY CAUSE DAMAGE TO YOUR PROJECTOR.

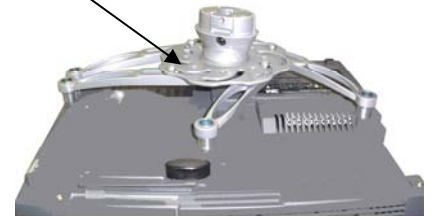


Attaching the Mount

Unpack the MAG Mount and review any WARNING statements that apply to the installation. Select the desired location for the MAG Mount.

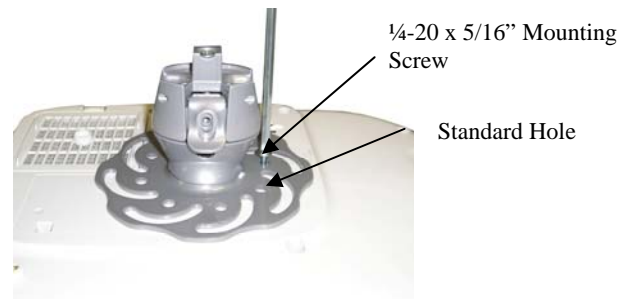


1. Locate the mounting points on the bottom of the projector (see arrows above for mounting point recognition).
NOTE: Projector mounting points will vary. The projector used in this manual is an example, and may not match yours exactly.
2. Attach the appropriate number of mounting legs to the projector using the appropriate mounting hardware (see Page 4, Selecting the Proper Mounting Hardware).
3. Do not tighten these screws completely at this time.



4. Align the projector plate to the mounting legs.
5. Position the legs accordingly for best configuration. You may raise or lower each leg independently by turning the leveling barrels.
6. Secure the legs to the projector plate by screwing M6 x 12mm security screws into the M6 square nut (do not overtighten) on the mounting legs.
7. Tighten all security screws at this time.
8. Once the security screws have been tightened, place the plastic cap over each leveling barrel and firmly push the plastic cap into place.

Single Mounting Point Installation



If your projector has a 1/4-20 x 5/16" mounting point, please refer to the following three steps:

1. Determine where the mounting point is located.
2. Place the projector plate over the mounting point.
3. Insert the 1/4-20 x 5/16" security screw.

NOTE: This screw will use a standard hole when mounting.



Ceiling Installation

1. Mounting Surfaces

Wood studs: Where denoted with the letter 'A', mark these locations for wood stud installation.

NOTE: Use a masonry bit to pre-drill the mounting holes in the concrete surface.

Concrete surface: Where denoted with the letter 'B', mark these locations for concrete installation.

2. Use two (2) #14 x 2" wood screws (supplied) to attach the ceiling plate to the wooden ceiling stud.

NOTE: For extra security, attach a third wood screw to the middle mounting point (A).

3. Slowly raise the projector toward the upper assembly. Once the projector is close to the upper assembly, MagnaGuide™ Technology will pull the lower assembly into the upper assembly and the locking tab will engage.

WARNING: THE MAGNETS ARE USED FOR GUIDING THE UNIT ONLY! PLEASE MAKE SURE THE TWO (2) M4 X 12MM SCREWS ARE USED TO SECURE THE PROJECTOR.

4. Attach the two (2) M4 x 12mm security screws and star washers that are located on each side of the locking tab.

NOTE: Do not release your hold on the projector until the upper and lower assemblies are engaged and the locking tab is in place.

NOTE: If you chose to use the center mounting point for added security, detach the lower assembly from the ceiling plate by removing the two (2) M6 x 12mm security screws, drive the wood screw in place and reattach the lower assembly and security screws.



Adjusting the Projector

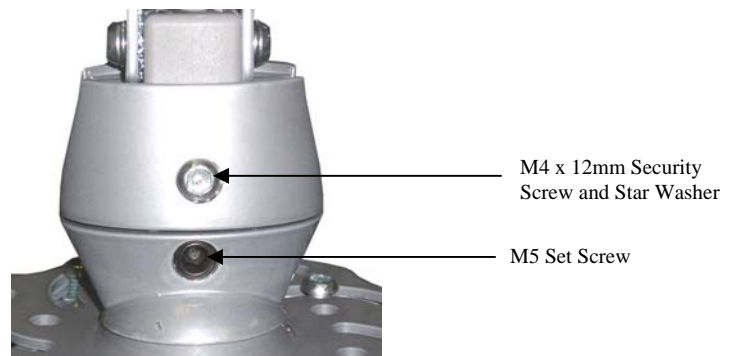
After the projector has been installed, the projector must then be adjusted. To adjust the projector:

1. Loosen the M5 set screw using the M5 Allen wrench (both sides).
2. Adjust the projector to the correct position. Firmly grasp the projector in both hands, and tilt either forward or backward to adjust the level.

-OR-

Firmly grasp the projector in both hands and rotate side to side for orientation adjustment.

3. Tighten both M5 set screws using the M5 Allen wrench.





Troubleshooting Procedures

QUESTION: My projector mount must be set at an angle to be viewed properly on the wall, but the projector will not hold at this position. Why is this?

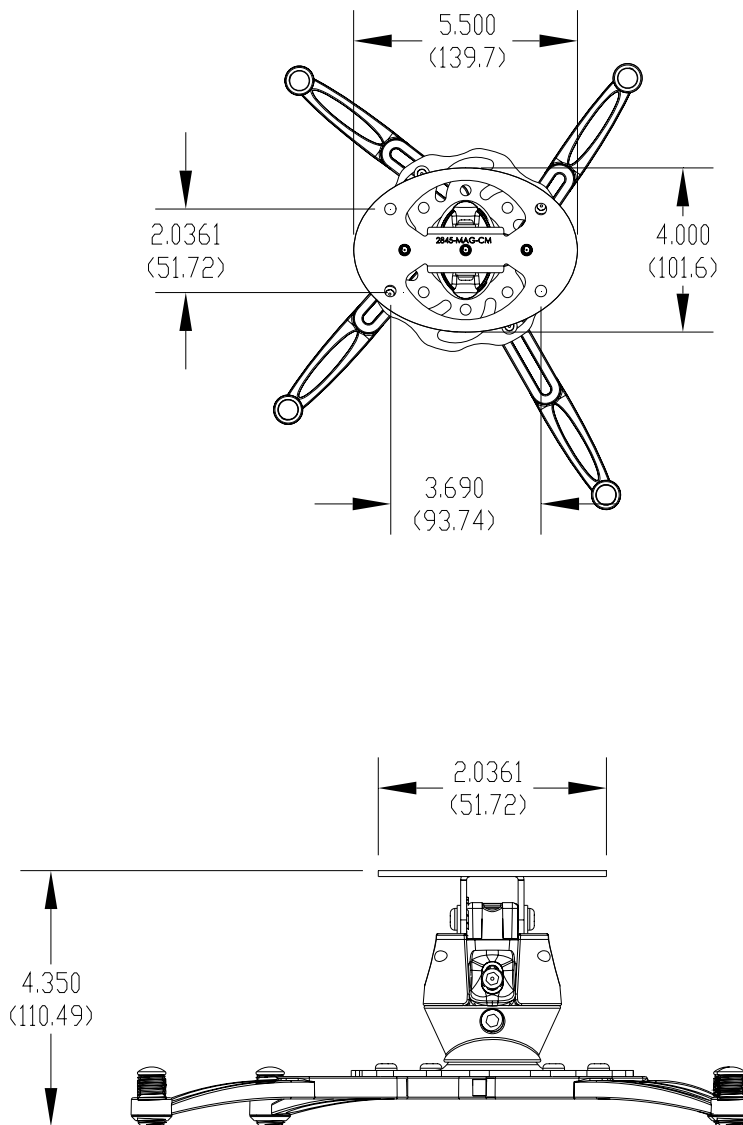
ANSWER: **The angle adjustments are not tight; they must be tightened.**

QUESTION: What happens if the universal arms don't fit my projector?

ANSWER: **Contact Customer Service and advise them of the situation.**

Technical Specifications

All measurements are inches (mm).





Warranty

Limited Lifetime Warranty

All Premier Mounts products carry a limited lifetime warranty from ship date against defects in materials and workmanship. Premier Mounts is not liable for improper installation that results in damage to mounts, adapters, display equipment or personal injury. Any modification to the existing mount will void the manufacturers' warranty.

DISCLAIMER OF WARRANTY.

THE FOREGOING WARRANTY IS IN LIEU OF ALL OTHER WARRANTIES, EXPRESS OR IMPLIED, INCLUDING BUT NOT LIMITED TO THE IMPLIED WARRANTIES OF MERCHANTABILITY AND FITNESS FOR A PARTICULAR PURPOSE.

Contact Premier Mounts

In the event of missing and/or damage equipment, or technical questions, the following information can help in the completion of the installation.

Customer Service – (800) 368-9700

Technical Support – techsupport@mounts.com

Warning Statements

WARNING: PREMIER MOUNTS DOES NOT WARRANT AGAINST DAMAGE CAUSED BY THE USE OF ANY PREMIER MOUNTS PRODUCT FOR PURPOSES OTHER THAN THOSE FOR WHICH IT WAS DESIGNED OR DAMAGE CAUSED BY UNAUTHORIZED ATTACHMENTS OR MODIFICATIONS, AND IS NOT RESPONSIBLE FOR ANY DAMAGES, CLAIMS, DEMANDS, SUITS, ACTIONS OR CAUSES OF ACTION OF WHATEVER KIND RESULTING FROM, ARISING OUT OF OR IN ANY MANNER RELATING TO ANY SUCH USE, ATTACHMENTS OR MODIFICATIONS.

WARNING: THE CEILING STRUCTURE MUST BE CAPABLE OF SUPPORTING AT LEAST FIVE TIMES THE PROJECTORS' WEIGHT. IF NOT, THE CEILING STRUCTURE MUST BE REINFORCED. PROPER INSTALLATION PROCEDURE BY A QUALIFIED SERVICE TECHNICIAN, AS OUTLINED IN THE INSTALLATION INSTRUCTIONS, MUST BE ADHERED TO. FAILURE TO DO SO COULD RESULT IN SERIOUS PERSONAL INJURY, OR EVEN DEATH.

WARNING: SAFETY MEASURES MUST BE PRACTICED AT ALL TIMES DURING THE INSTALLATION OF THIS PRODUCT. USE PROPER SAFETY GEAR AND TOOLS FOR THE INSTALLATION PROCEDURE TO PREVENT PERSONAL INJURY.

WARNING: PRIOR TO THE INSTALLATION OF THIS PRODUCT, THE INSTALLATION INSTRUCTIONS SHOULD BE READ AND COMPLETELY UNDERSTOOD. THE INSTALLATION INSTRUCTIONS MUST BE READ TO PREVENT PERSONAL INJURY AND PROPERTY DAMAGE. KEEP THESE INSTALLATION INSTRUCTIONS IN AN EASILY ACCESSIBLE LOCATION FOR FUTURE REFERENCE.



Indicates that the power plug is to be disconnected from the power outlet.



Contact Premier Mounts with any questions – (800) 368-9700.



Safety precautions must be taken at all times.



Warning and Caution statements.



Do not install on a structure that is prone to vibration, movement or chance of impact. Failure to do so could result in damage to the projector and/or damage to the mounting surface.



Do not install near heater, fireplace, direct sunlight, air conditioning or any other source of direct heat energy. Failure to do so may result in damage to the projector and could increase the risk of fire.



A qualified person should perform the installation procedure. Injury and/or damage can result from dropping or mishandling the projector

NORTH AMERICA

3130 East Miraloma Avenue
Anaheim, CA 92806 USA
USA and Canada –
Phone: 800-368-9700
Fax: 800-832-4888

Other Locations – Phone: (001)-714-632-7100; Fax: (001)-714-632-1044

EUROPE

Swallow House,
Shilton Industrial Estate,
Shilton, Coventry, England CV79JY
Phone: +44 (0) 2476 614700
Fax: +44 (0) 2476 614710

ASIA

Nakaizumi 607-7,
Gunma-machi, Gunma-gun
Gunma-ken 370-3524, Japan
Phone: (81)-27-371-6998
Fax: (81)-27-371-6308

