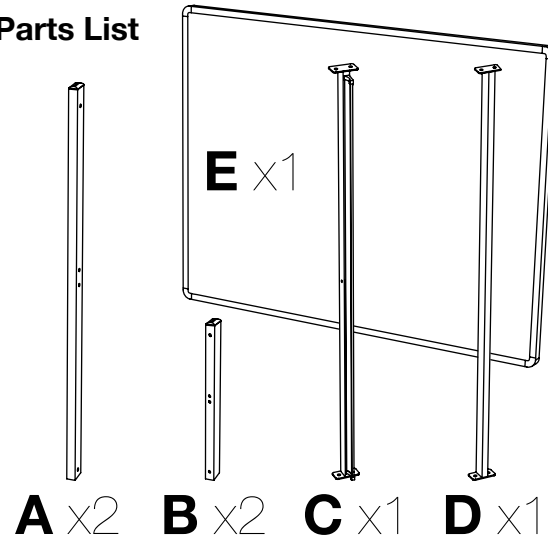


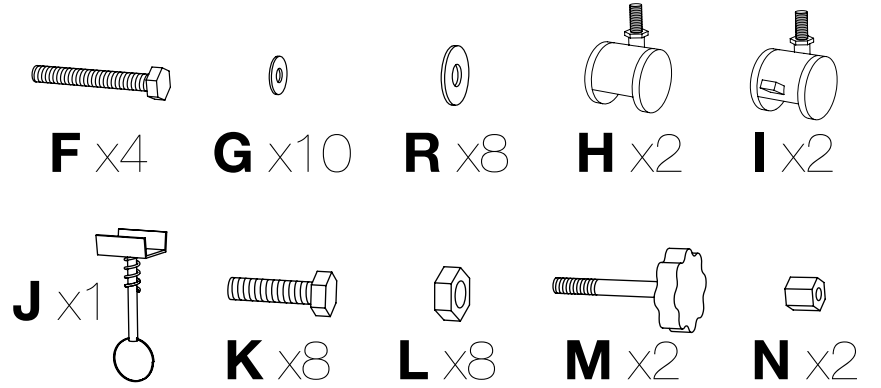
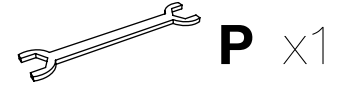
www.luxorfurn.com  
www.hwilson.com

## Parts List



## Tools Required

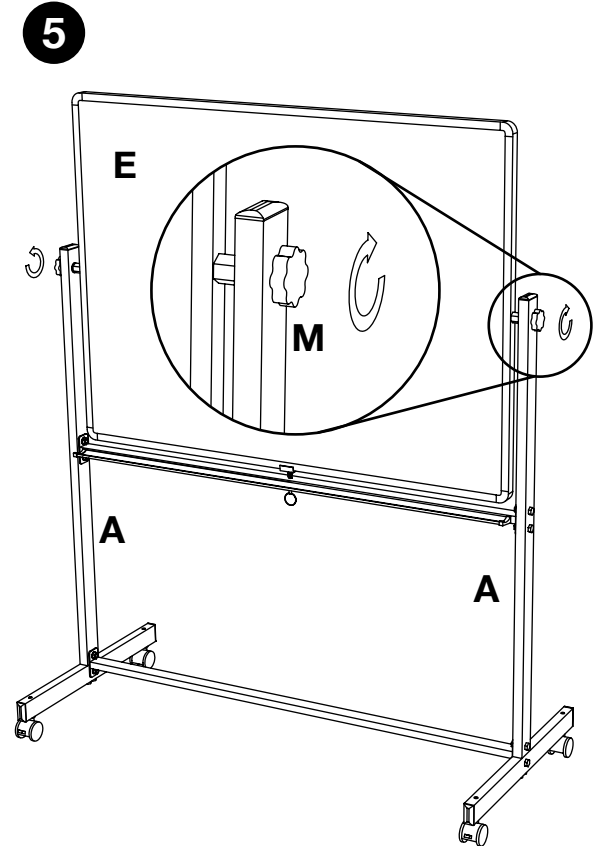
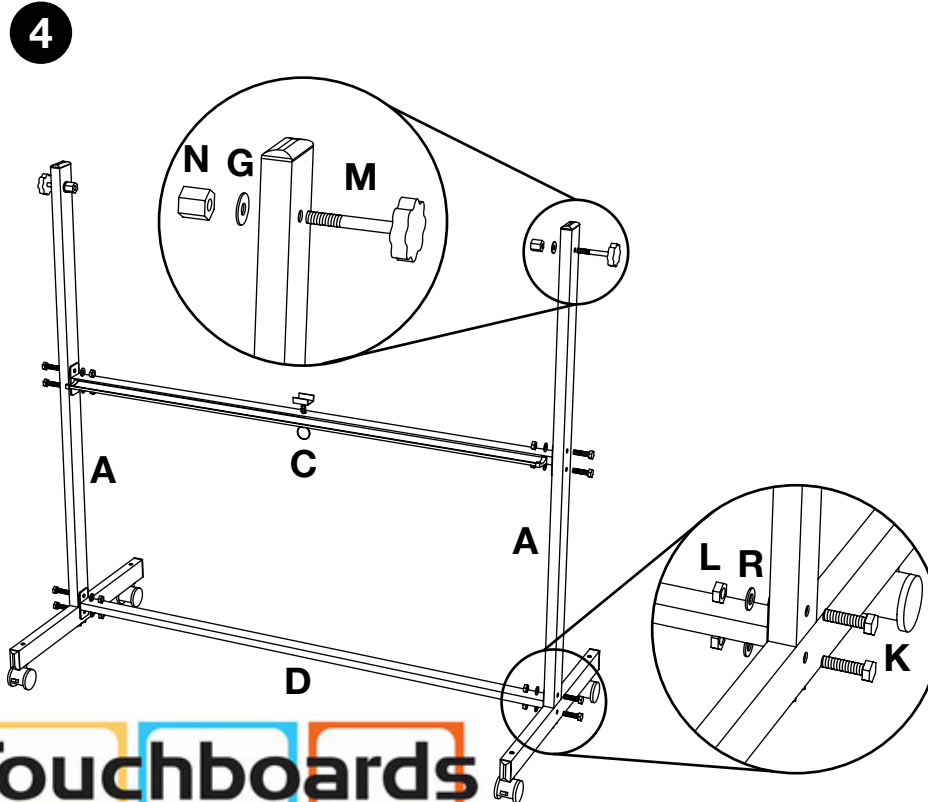
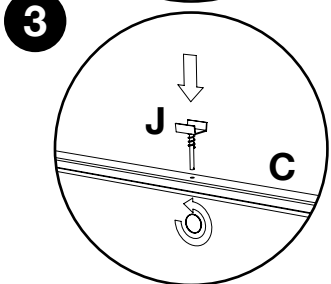
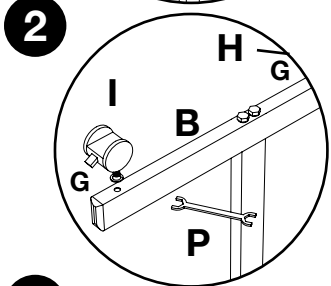
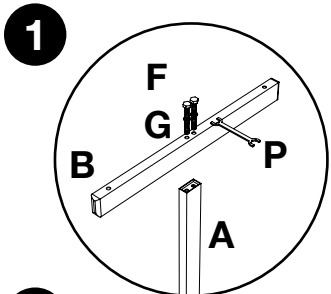
- Additional Wrench
- Utility Knife



## Mobile Board Instructions

**Note:** After assembly, remove the protective film from both sides of the board with a utility knife.

**Cleaning Tip:** A mild dish washing liquid can be used with a soft cloth to clean the writing surface.



205 Westwood Ave, Long Branch, NJ 07740  
Phone: 866-94 BOARDS (26273) / (732)-222-1511  
Fax: (732)-222-7088 | E-mail: sales@touchboards.com