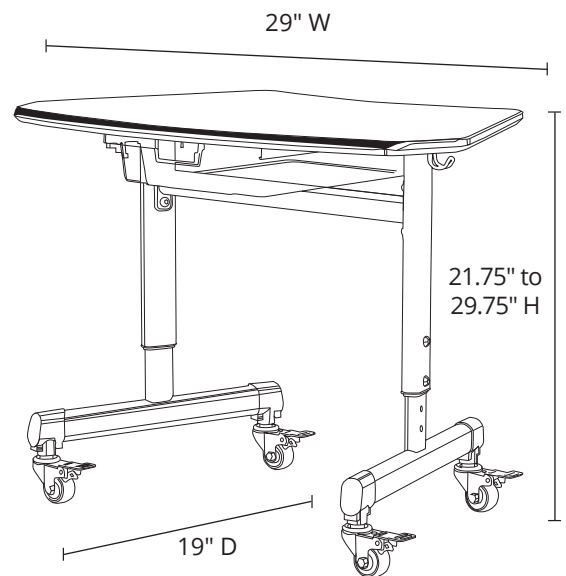


MBS-DESK

Height-Adjustable Trapezoid Student Desk with Drawer

Product Specifications

Item Number	MBS-DESK
Material	Desktop: Particle board with injection molded edge banding Frame and Legs: Powder-coated steel Storage Bin: Polypropylene
Overall Dimensions	29" W x 19" D x 21.75" to 29.75" H
Height Adjustment Range	21.75" to 29.75" H (in 1" increments)
Desktop Thickness	.75"
Removable Bin Dimensions	12.25" W x 16.75" D x 3" H
Removable Bin Weight Capacity	20 lbs.
Product Weight	22.1 lbs.
Casters	2" full-swivel (each with a locking brake that secures both the wheel and the swivel mechanism)
Additional Features	Dual bag hooks
Weight Capacity	220 lbs.
Shipping Method	Ground
Shipping Carton Dimensions	32" W x 24" D x 8" H
Shipping Weight	27 lbs.
Assembly Required	Yes



To Order, Call Your
Sales Representative or
800-323-4656