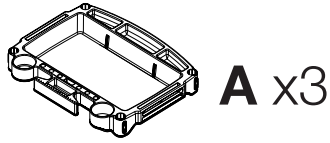
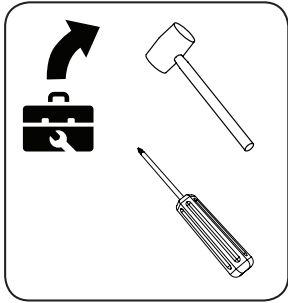


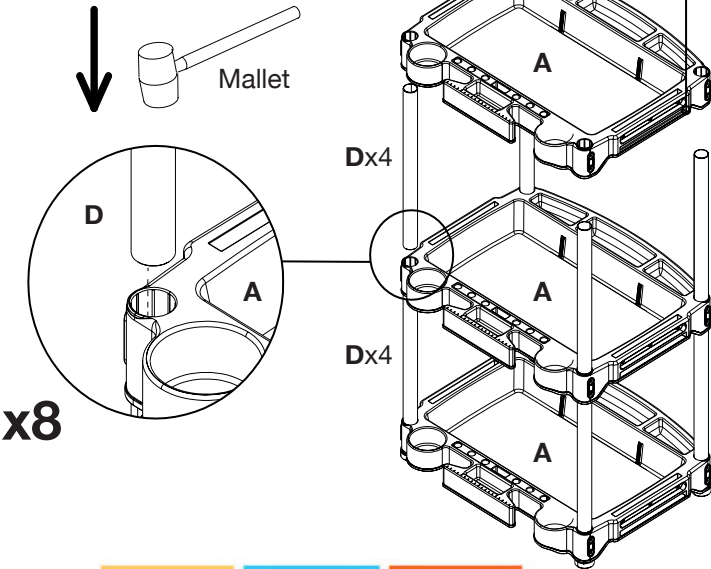
3 Shelf Mechanics Cart Instructions

11/16/15

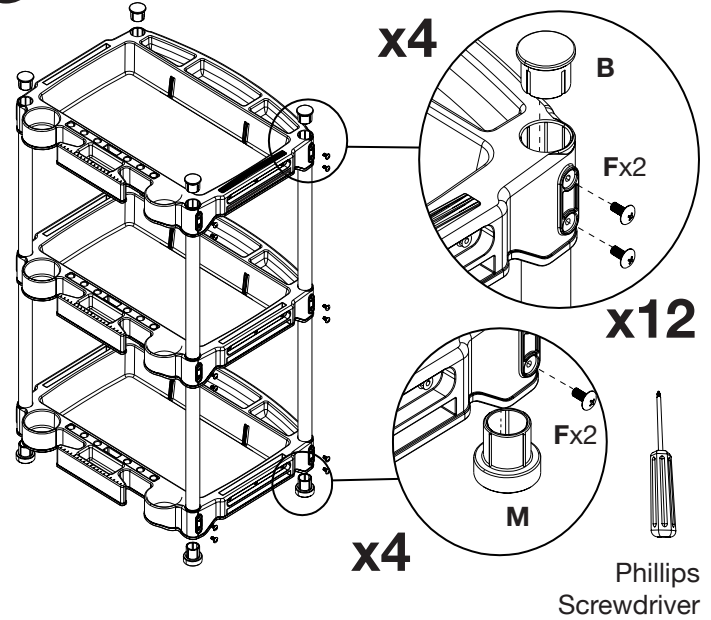


1

Magnetic strip
on top shelf



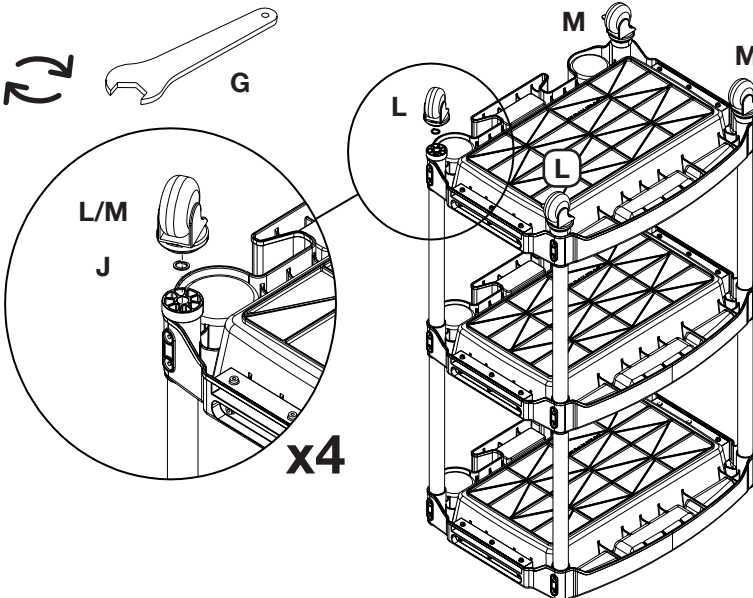
2



3

Touchboards

205 Westwood Ave, Long Branch, NJ 07740
Phone: 866-94 BOARDS (26273) / (732)-222-1511
Fax: (732)-222-7088 | E-mail: sales@touchboards.com



4

