

CPA COUPLING WILL BE REQUIRED TO ATTACH TO NPT STYLE PIPE (SOLD SEPARATELY)

1.00 [25.4] ATTACHMENT HOLES SPACED AT 1" INTERVALS

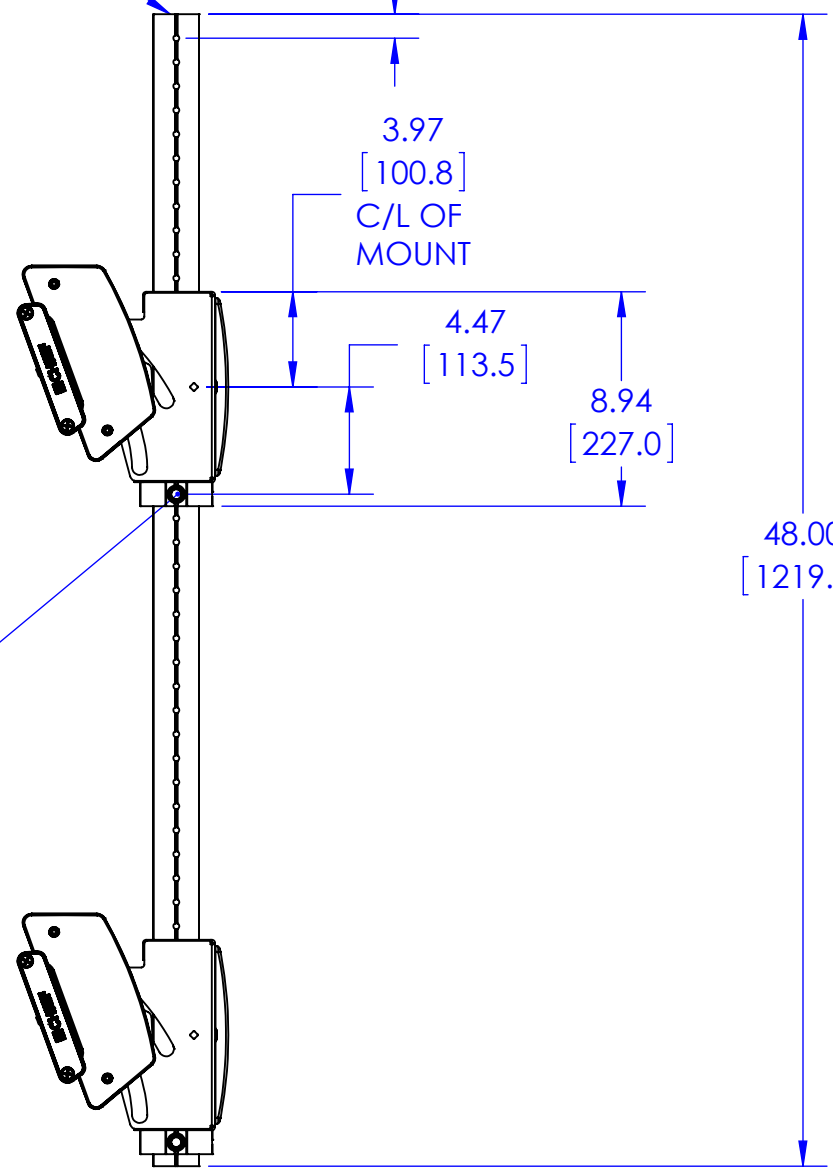
3.97 [100.8] C/L OF MOUNT

4.47 [113.5]

8.94 [227.0]

48.00 [1219.2]

SELF TAPPING SCREW FOR ATTACHMENT TO COLUMN



**MCM1X2U INCLUDES
1-CPA048P
2-MCM1U**

**LCM1X2U INCLUDES
1-CPA048P
2-LCM1U**

**REFER TO TECH DRAWINGS AND
INSTRUCTION MANUALS FOR
MCM1U
LCM1U
CPA048P
FOR DETAILED SPECIFICATIONS
ON MOUNTS AND/OR COLUMN**

THE INFORMATION AND DESIGNS CONTAINED IN THIS DRAWING ARE CONFIDENTIAL AND THE PROPRIETARY PROPERTY OF MILESTONE AV TECHNOLOGIES NEITHER THIS DESIGN NOR ANY INFORMATION CONTAINED IN THIS DRAWING MAY BE REPRODUCED OR DISCLOSED TO OTHERS WITHOUT THE EXPRESS WRITTEN CONSENT OF MILESTONE AV TECHNOLOGIES.

CAD GENERATED DRAWING, DO NOT MANUALLY UPDATE.				6436 CITY WEST PKWY EDEN PRAIRIE MN, 55344 PHONE: 866-977-3901 FAX: 877-894-6918	
DRAWN BY	JAB	3/19/2013		DESCRIPTION CEILING MOUNTS, STACKING, MEDIUM AND LARGE, KITS	
ENG APPROVAL			MODEL NO. LCM1X2U AND MCM1X2U		
MFG APPROVAL			SIZE DWG. NO. REV. B TECH-000336 00		
QA APPROVAL			SHEET 1 OF 1 SCALE 1:12		