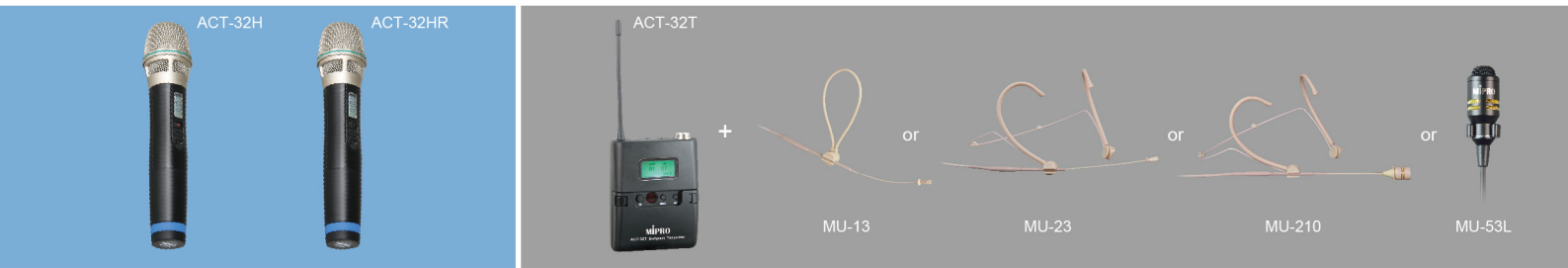


MA-708 Portable Sound System

Premium Portable Audio System for Medium Events



The Future Benchmark

MIPRO, the worldwide leader in portable wireless public address technology, introduces the new MA-708. The MA-708 is compact, lightweight, powerful and can be used almost anywhere. MIPRO MA-708 is the benchmark by which all other portables will be measured.

Key Features

- Extremely rugged design delivering a 190-watt clear and powerful sound for crowds up to 1,000
- Class-D amplifier drives 1" titanium compression driver and 8" woofer speakers
- Up to 4 optional plug & play diversity receiver modules and CD / USB player with remote control
- Industry's easiest and fastest channel set-up using MIPRO AutoScan and ACT sync technology
- Built-in Bluetooth music player for wireless audio streaming
- Industry's only MTM-92 wireless interlinking transmitter option to interlink multiple MIPRO MA-708 portables wirelessly to extend transmission range and expand coverage
- Master Volume Control can be manually controlled or wireless via an innovative, industry's only ACT-32HR Handheld Transmitter Microphone instead of a separate control
- Retractable handle and sturdy wheels for easy transport
- Active limiter – keeps sounds clean when driven hard
- A voice priority feature that mutes the music when mic is used
- Built-in storage compartments for 2 wireless handhelds or body transmitters
- Line-input for external iPod / MP3 / CD player, output for external recordings
- A smart 4-segment battery meter for accurate battery reading and charging status
- Operates up to 8 hours on a single charge, or plug it in for continuous use
- Suitable for tripod, floor or desk mount
- Weights only 16 kg / 35 lbs – loaded



Ideal applications include

- Schools, church services and weddings
- Corporate presentations, seminars and meetings
- Sporting events, press conferences, auctions
- Shopping centre presentations and promotions
- Aerobics / Fitness, social clubs, hotels, rallies
- Military, law enforcement, fire / rescue events

Model shown with accessories



Optional Accessories & Replacement Parts

UHF 16-Channel Diversity Receiver Modules



Single MRM-70B



Dual MRM-72B

CD/USB Player Module



CDM-2 (plays only)



DPM-3 (plays and records)

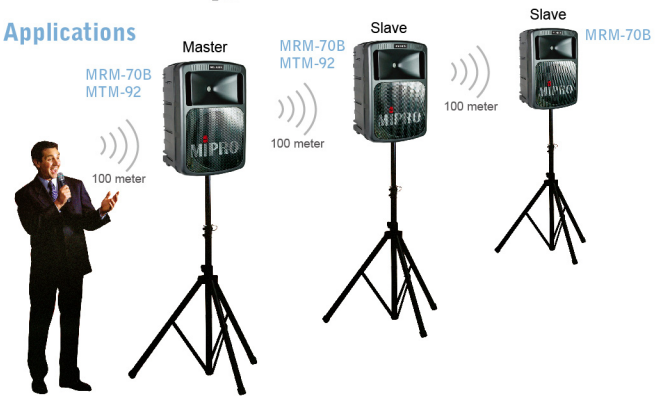
UHF 16-Channel Wireless Interlinking Transmitter

Interlinks multiple MIPRO MA-708 portables wirelessly to expand coverage and extend range



MTM-92

Applications



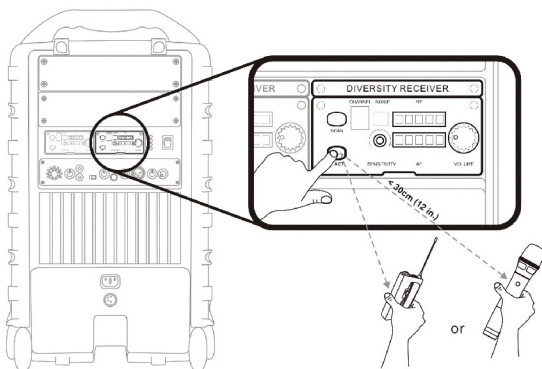
MB-70 Rechargeable Battery (12V / 4.5AH) (2 MB-70 required)

MB-80 12.8V rechargeable LFP battery case

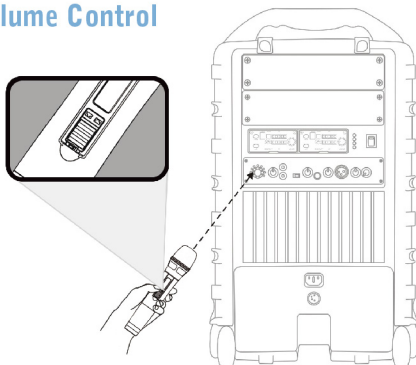
SC-75 Storage Cover with side pouch

MA-708EXP Passive MA-708 extension speaker

ACT "SYNC"



Wireless Volume Control



MA-708 Specifications:

Power Output	190W(Max)
T.H.D.	<1%
Frequency Response	50Hz-18kHz
Speakers	1" Compression Driver, 8" woofer
CD / USB Player Module	CDM-2 or DPM-3
Audio Inputs	Balanced, Unbalanced MIC & LINE-in RCA Jack
Audio Outputs	Unbalanced Line RCA jack
Master Volume Control	Manually or Wirelessly via ACT-32HR
Installation	Speaker stand, flat surface or retractable handle & wheels
Power Supply	AC: Built-in 100-240V AC switching power supply DC & Battery: 24-32 DC, 12V/4.5AH rechargeable gel cell battery (MB-70x2) or optional MB-80x2
Charge Time	Up to 8 hours (automatic charging management)
Standby Time	Up to 7 hours
Receiver Modules	MRM-70B or MRM-72B (optional)
Wireless Microphones	ACT-32H / 32HR / 32HC Handheld; ACT-32T / 32TC Bodypack (optional)
Wired Microphone	MM-107 Wired Dynamic Microphone (optional)
Dimensions (mm / in.)	336 / 13.2(W) x 545 / 21.5(H) x 325 / 12.8(D)
Weight (kg / lbs.)	16.3 / 36 (loaded)
Approvals	Complies with worldwide telecommunication and safety regulations

MIPRO®

www.mipro.com.tw | mipro@mipro.com.tw

Design and specifications are subject to change without notice.
Do not reproduce or redistribute without consent. MA 016/09