

# ACT-30T Bodypack Transmitter

## Key Features

- Lightweight, compact size with sturdy housing.
- Top features mute switch, mini-XLR connector and antenna.
- Backlit LCD displays various parameters and indicators.
- Unique battery cover design provides easy access to operational controls and protects against accidental change of settings.
- Connector for optional MJ-70 remote mute switch cable.
- Low spurious PLL-synthesized technology enhances frequency stability and reliability. One-touch ACT syncs the transmitter and receiver frequency automatically.
- Selectable impedance for microphone or guitar/line inputs.
- 4-pin mini XLR connector is compatible with all MIPRO lavalier, headworn microphones and instrument cable.
- Highly efficient power consumption circuitry ensures long operating hours from 2 AA batteries.
- Adjustable belt clip allows wearing transmitter in up or down position.

## Microphones

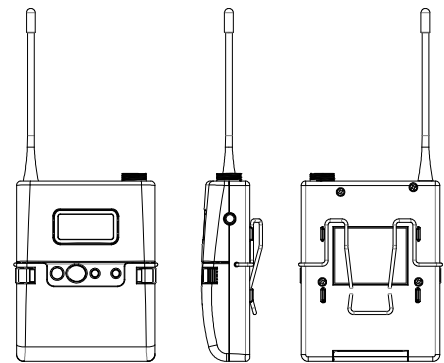
<b>MU-13</b>	Single-sided Earworn Microphone (beige)
<b>MU-23</b>	Omni-directional Headworn Microphone (beige, fixed connector)
<b>MU-23d</b>	Omni-directional Headworn Microphone (beige, detachable cont)
<b>MU-210</b>	Uni-directional Headworn Microphone (beige, fixed connector)
<b>MU-210d</b>	Uni-directional Headworn Microphone (beige, detachable cont.)
<b>MU-53L   MU-53LS</b>	Uni-directional Lavalier Microphone (black   beige)
<b>MU-55L   MU-55LS</b>	Omni-directional Lavalier Microphone (black   beige)
<b>MU-53HN   MU-53HNS</b>	Uni-directional Headworn Microphone (black   beige)
<b>MU-55HN   MU-55HNS</b>	Omni-directional Headworn Microphone (black   beige)

## Accessories

<b>ASP-30</b>	Aerobics Bodypack Pouch (Neoprene)
<b>BC-100</b>	Wireless Boundary Microphone
<b>MJ-70</b>	Remote Mute Switch
<b>MU-40G</b>	Instrument Cable
<b>TC-18</b>	Transmitter Shielding Storage Case

## Technical Specifications

Housing	Rugged Plastic
Frequency Range	UHF 480~934MHz
Bandwidth	24MHz
Oscillation Mode	PLL Synthesized
Channel Set-Up	ACT Sync
LCD Display	LCD displays working band-code, group, channel, frequency, AF input gain, RF output power, mute & lock status, battery status and error codes.
RF Output Power	10mW   50mW (switchable)
Spurious Emissions	<-55dBc
Max. Input Level	0dBV
Mute Connector	Optional MJ-70 remote mute switch
Battery	2 AA alkaline
Battery Hours	12-14 hours (pending battery quality)
Dimensions	63(W)x82(H)x22(D)mm   2.5(W)x3.2(H)x0.9(D)"
Weight	Approx. 81g   2.9oz (excluding batteries)
Patents & Approvals	Patented. Telecom and safety regulations approved.



## MIPRO Electronics Co., Ltd

Headquarters: 814 Pei-kang Road, Chiayi, 60096, Taiwan  
Tel: +886.5.238.0809 | Fax: +886.5.238.0803  
www.mipro.com.tw | mipro@mipro.com.tw