



ACT-818 | 828

8th Year Commemorative Model

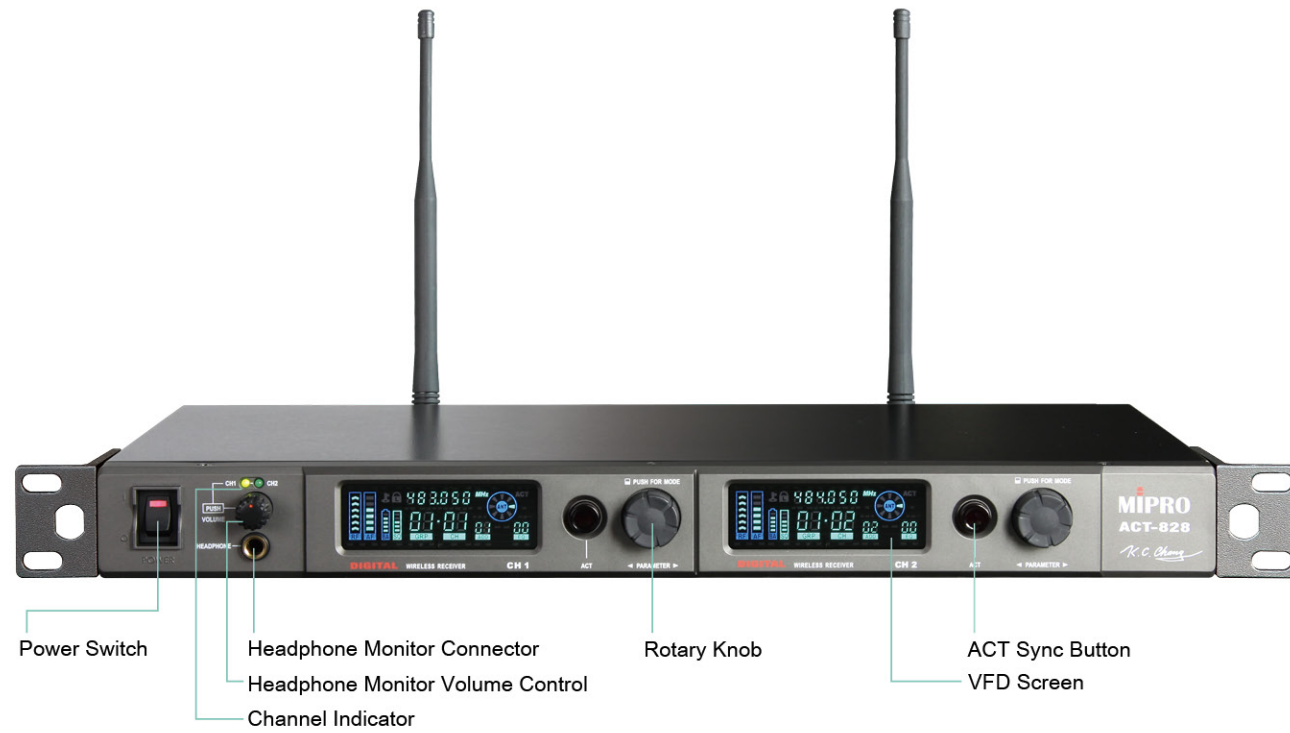
Digital Wireless Microphone Systems



MIPRO Electronics Co., Ltd

Headquarters : 814 Pei-Kang Road, Chiayi, 60096, Taiwan
Tel : +886.5.238.0809 Fax : +886.5.238.0803
www.mipro.com.tw mipro@mipro.com.tw

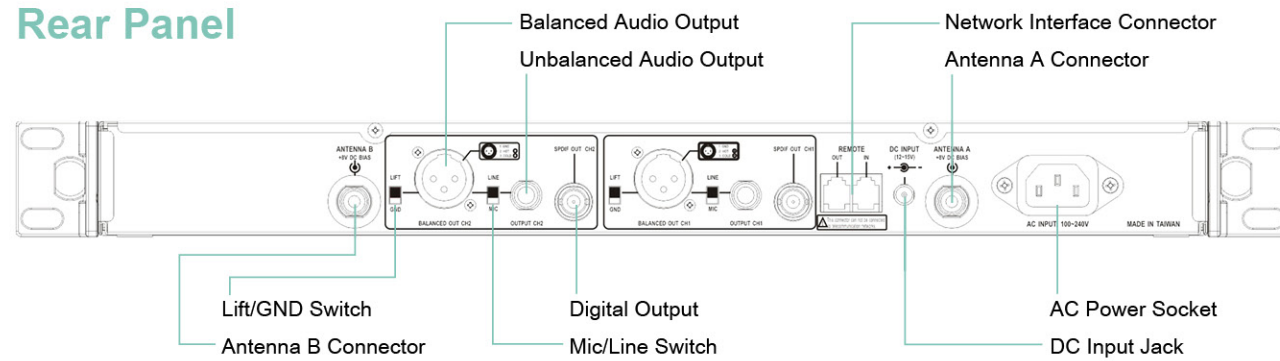
ACT-828 Wideband Dual-Channel Digital Receiver



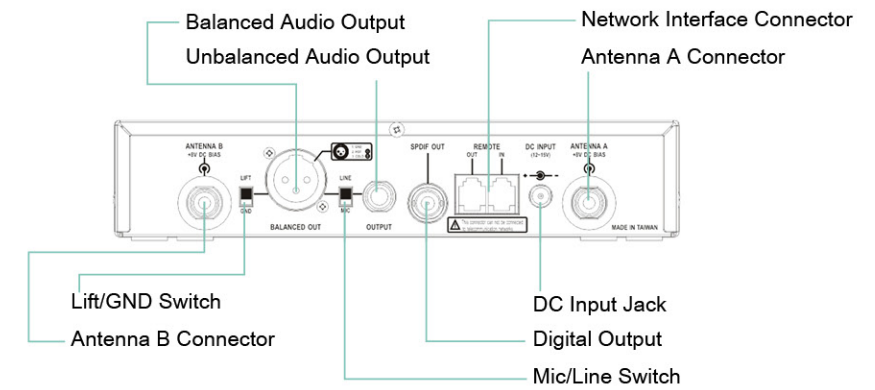
ACT-818 Wideband Single-Channel Digital Receiver



Rear Panel



Rear Panel



Standard AA Battery Transmitters

ACT-80H



ACT-80T



Rechargeable Lithium Battery Transmitters

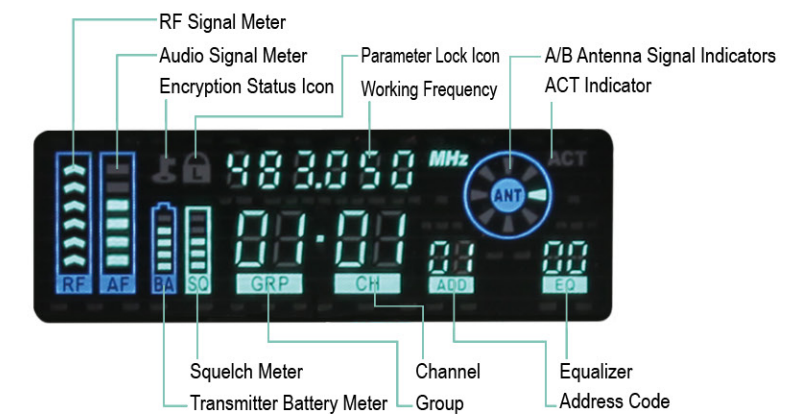
ACT-80HC



ACT-80TC



VFD Screen



Digital wireless technology promotes a new era in sound quality

Since 2006 and after years of product development, MIPRO introduces an 8th year commemorative digital model, the ACT-828, that truly rivals any wired cable transmission. The handheld microphone transmitter, equipped with a true condenser microphone (TCM) or dynamic microphone capsule, delivers an exceptionally clear, accurate sonic image to the listener. 10 built-in SmartEQ™ presets and user-defined microphone capsule equalization allows faithful sound reproduction to suit artists' preferences.

Monitoring capability and improved color VFD display and new wide bandwidth design

A headphone connector was added for monitoring along with an improved color panel display for better clarity and control. Proprietary 256-bit encryption provides secure audio transmission, preventing unauthorized listening, and an expanded 64 MHz bandwidth ensures optimal flexibility, allowing more interference-free, compatible channels to select from.



Rechargeable transmitters for installed market solutions

In addition to using 2AA alkaline batteries for both the ACT-80H & ACT-80T transmitters, the optional ACT-80HC & ACT-80TC rechargeable transmitters offer rechargeable lithium-ion batteries as a charging alternative. The rechargeable transmitters provide up to 12 hours of continuous use per charge and can be charged and stored in the 3-in-1 MP-80 intelligent charger that provides up to 500 charge cycles for cost savings as well as being more environmentally friendly.



Features

1. The ACT-828 is an EIA standard 1U dual channel receiver and the ACT-818 is a 1/2U single channel rack-mountable receiver, both with metal chassis.
2. A full-color VFD (vacuum fluorescent display) provides clear viewing of all parameters. All controls are intuitive and easily accessible, allowing for quick and easy system setup via a single rotary control.
3. A headphone monitor connector is provided for sound monitoring.
4. Enhanced RF circuitry improves anti-interference characteristics and system compatibility with a 64 MHz-wide bandwidth, allowing more interference-free channels to be selected.
5. New digital diversity receiving technology eliminates signal dropout and enhances receiving range.
6. Full-range sound quality is not affected by the strength of RF signals or operating distance.
7. Digitally-processed RF circuitry and DigitnamicPlus™ technology eliminates compander noise, assuring a wireless sound quality that easily rivals cable transmission.
8. Improved proprietary Audio A/D Converter provides a true dynamic range of 115 dBA, T.H.D. < 0.03% at 1 kHz with < 2.7 ms latency.
9. SPDIF Digital Audio Interface facilitates a direct connection to digital mixing consoles and transmits signal without distortion, ensuring a stable S/N ratio which will not deteriorate in long distance transmission.
10. Proprietary 256-bit encryption provides secure audio transmission, preventing unauthorized listening.
11. 10 built-in SmartEQ™ presets and user-defined microphone capsule equalization allows faithful sound reproduction to suit artists' preferences.
12. 10 built-in digital anti-feedback SmartEQ™ presets minimize feedback effectively without sacrificing sound quality.
13. Optional MIPRO RCS2.Net software allows real-time network remote-controlling and monitoring of 64 systems.

Specifications

Overall System		
Frequency Range	480~544 MHz (US & EU)	540~604 MHz (US & EU)
	636~700 MHz (EU)	696~760 MHz (EU)
Bandwidth	64 MHz	
Preset Frequency	12 preset compatible frequencies in group 1-10. 16 preset compatible frequencies in group 11-16. 16 user-defined frequencies can be stored in group 18 216 preset frequencies in total	
Channel Grid	25 kHz	
Channel Set-up	Scan & ACT sync	
Audio Sampling	24-bit / 44.1 kHz Rate	
Audio Compression	2nd Generation DSP inertial coding	
Latency	< 2.7ms	
Audio Frequency Response	20 Hz~20 kHz (-2dB)	
S/N Ratio (analog output)	> 115dB(A)	
T.H.D.	< 0.03 % @ 1 kHz	
Encryption	256 bit	
Receivers		
Model	ACT-828	ACT-818
Chassis /Channel	EIA Standard 19 " 1U, Dual	EIA Standard 19 " 1/2U, Single
Sensitivity	15 dB μ V at S/N = 118 dBA	
Image and Spurious Rejection	> 85dB	
Receiving Mode	Digital Diversity	
Analog Output	Balanced XLR × 2 Unbalanced 6.3 mm (1/4 ") × 2	Balanced XLR × 1 Unbalanced 6.3 mm (1/4 ") × 1
Analog Output Switch	Mic / Line × 2	
Digital Audio Interface	SPDIF output. BNC female × 2	
Digital Equalizer	Preset 10 Microphone Capsule Modeling	
Digital Anti-feedback Equalizer	Preset 10 Anti-feedback Microphone Capsule Modeling	
PC Interface	USB or RS-232 Interface. Proprietary MIPRO ACT-BUS	
Display	Full-color VFD	
Battery Meter	Transmitter battery status	
Antenna Input	50 Ω TNC Female Connector × 2	
Power Supply	Built-in 100~240V AC Switching Power Supply	External AC Power Supply, 12~15V DC, 1A
Dimensions (W × H × D)	420 × 44 × 245 mm (16.5 × 1.7 × 9.6 ")	210 × 44 × 230 mm (8.3 × 1.7 × 9 ")
Weight	Approx. 2.2 kg (4.8 lbs)	Approx. 1.1 kg (2.4 lbs)
Environment Conditions	-10~+60 °C	
Notes	Refer to actual product in the event of product description discrepancy. Frequency range and maximum deviation comply with the regulations of different countries.	

ACT-80H Wideband Digital Handheld Transmitter



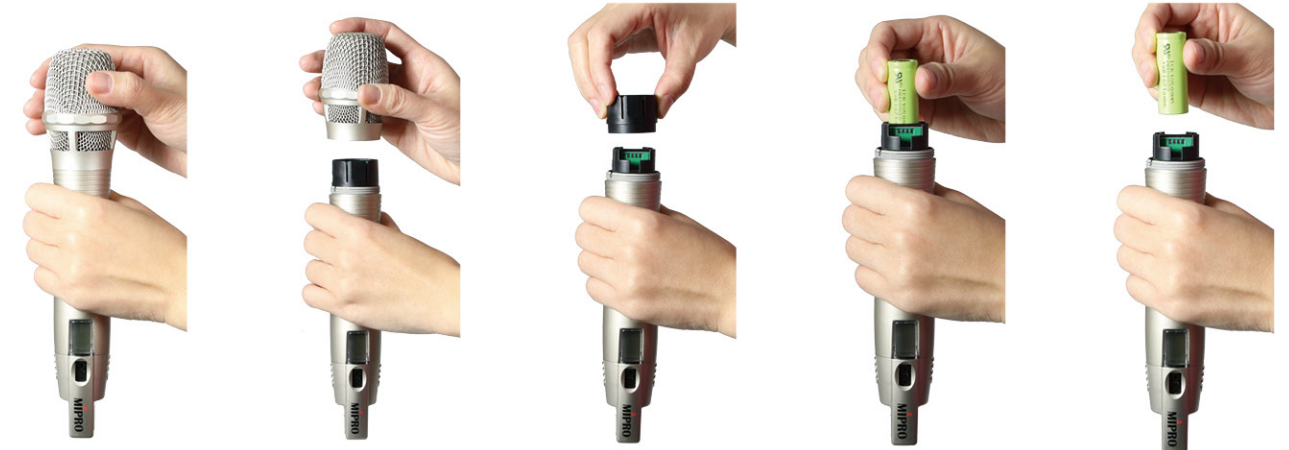
ACT-80HC Rechargeable Wideband Digital Handheld Transmitter



Standard AA Battery Insertion



Rechargeable Lithium Battery Insertion



Interchangeable Capsule Modules



Reversible Protective Cap



Color-coded ID Cap



Features

1. Innovatively designed housing combines aesthetics and ergonomic style.
2. Standard champagne-color housing. Optional custom-made colors are available.
3. Turn upper housing for 2 AA battery installation and replacement.
4. The unique flat top multi-layered metal grille for condenser capsules and round top for dynamic capsules protect the capsule against impact, rolling and pop noise. The upper grille is able to be detached easily for cleaning and hygiene practices.
5. Patented capsule suspension design virtually eliminates vibration and handling noises.
6. Interchangeable capsule module with premium condenser or dynamic options for easy and fast changeovers.
7. True condenser capsule exhibits high fidelity, wide dynamic range, fast transient responses, good feedback rejection, accurate sound image characteristics, transparent sound quality, and withstands maximum SPL.
8. Backlit LCD displays frequency band, group, channel, battery status, encryption status, RF and audio levels.
9. The bottom housing with built-in high-efficiency antenna features power switch, mute and setup buttons for programmable gain, limiter, low cut and RF output power.
10. Patented end-cap cover with color-coded channel identification clips. Detach the end-cap cover for parameters set-up. Reversible end-cap allows shielding of power on/off or mute switches during performance.
11. Three selectable mute settings: Auto, Manual & Disabled. "Auto" mute activates automatically when handheld transmitter points down towards the ground.
12. Three selectable gain settings: 0 dB (same as microphone sensitivity), +3 dB, +6 dB.
13. An interference-free channel can be synchronized automatically and quickly without error by stable PLL circuit and MIPRO's patented ACT™ sync function.
14. Two selectable transmitter output power settings: HI (high-power) & LOW (low-power).
15. The ACT-80HC accepts one ICR 18500 rechargeable lithium battery.
16. The ACT-80HC can be charged standing alone or its internal ICR 18500 battery can be detached and charged alone in the MP-80 battery charger.

Specifications

Model	ACT-80H	ACT-80HC
Battery	2 AA alkaline	Rechargeable lithium battery 18500 type × 1
Battery Hours	Up to 12 hours (Low Power)	
Frequency Range	480~544 MHz (US & EU) 540~604 MHz (US & EU) 636~700 MHz (EU) 696~760 MHz (EU)	
Oscillation Mode	PLL Synthesized, Frequency Stability $\leq \pm 0.005\%$ (-10~+60°C)	
RF Power Output	10 mW / 50 mW switchable (country dependent)	
Spurious Emission	≤ -60 dBc	
Modulation Type	New Digital Modulation	
Audio Compression	DSP Inertial Coding	
Gain Setting	+6 dB, +3 dB, 0 dB (3 settings). 0 dB = MU-89 microphone sensitivity	
Dimensions (Ø × L)	50 × 258 mm (2 × 10.1 ")	50 × 250 mm (2 × 9.8 ")
Net Weight	Approx. 292 g (10.3 oz), excluding batteries	Approx. 281 g (9.9 oz), excluding batteries
Notes	Refer to actual product in the event of product description discrepancy. Frequency range and maximum deviation comply with the regulations of different countries.	

ACT-80T Wideband Digital Bodypack Transmitter



ACT-80TC Rechargeable Digital Wideband Bodypack Transmitter



ACT-80T Install Disposable Transmitter Battery



Squeeze and hold battery levers



Open the battery cover



Insert or remove batteries

ACT-80TC Install Charged Transmitter Battery



Squeeze and hold battery levers



Open the battery cover



Insert or remove battery

Features

1. Ultra slim bodypack transmitter with sturdy magnesium alloy housing.
2. Detachable antenna, mini power switch and XLR input connector are located on the top of transmitter.
3. Backlit LCD displays various operation information.
4. Innovatively designed battery cover allows easy access to operate buttons and prevents accidental operation.
5. Mute button with remote-control jack for easy activation of mute function.
6. Stable PLL circuit. The receiver's frequency automatically synchronized by MIPRO's patented ACT™ function.
7. Selection of polarization for audio input to match capsules of different polarizations.
8. Six selectable gain settings.
9. Mini-XLR input with secure screw lock connector for lavalier / headworn mics and guitar.
10. 2 AA batteries provide up to 12 hours of operation for the ACT-80T. An ICR 18500 rechargeable lithium battery provides up to 12 hours of operation for the ACT-80TC.
11. Adjustable belt clip allows wearing transmitter in up or down position.
12. The ACT-80TC accepts one ICR 18500 rechargeable lithium battery.
13. The ACT-80TC can be charged standing alone or its internal ICR 18500 can be detached and charged alone in the MP-80 battery charger.

Specifications

Model	ACT-80T	ACT-80TC
Housing	Magnesium alloy	
Frequency Range	480~544 MHz (US & EU) 540~604 MHz (US & EU) 636~700 MHz (EU) 696~760 MHz (EU)	
RF Power Output	10 mW / 50 mW switchable (country dependent)	
Spurious Emission	≤ -60dBc	
Oscillation Mode	PLL Synthesized, Frequency Stability ±0.005% (-10~+60°C)	
Display	Backlit LCD displays frequency band, group channel, AF gain, limiter, low cut, phase, output power, mute, battery status, encryption status & error codes.	
Modulation Type	New Digital Modulation	
Audio Compression	DSP Inertial Coding	
Gain Setting	+18 dB, +12 dB, +6 dB, 0 dB, -6 dB, -12dB (6 settings). 0 dB = microphone sensitivity	
Mute Connector	Optional MJ-70 remote mute switch	
Battery	2 AA Alkaline	Lithium (18500) X 1
Battery Hours	Up to 12 hours (Low Power)	
Dimensions (W × H × D)	63 × 70 × 25 mm (2.5 × 2.7 × 1.0 ")	
Net Weight	Approx. 78 g (2.8 oz), excluding batteries	Approx. 122 g (4.3 oz), excluding batteries
Notes	Refer to actual product in the event of product description discrepancy. Frequency range and maximum deviation comply with the regulations of different countries.	

MP-80 3-in-1 Transmitter Charger Station

The MIPRO MP-80 is a new 3-in-1 charger station design. The two charger slots provide convenient charging for MIPRO rechargeable handheld & bodypack transmitters and an ICR18500 rechargeable battery. Each station also provides two storage slots for 2 spare charged ICR18500 lithium batteries.

MP-80's intelligent charging circuitry provides fast & trickle charges with protections from reverse polarity and short circuits as well as displaying the precise charging status with red (charging) & green (charged) indicators.

Charging Methods



Interconnected Chargers Charging



Charged Indicators



Features

1. High quality ICR 18500 rechargeable batteries.
2. 3-in-1 charger station design provides convenient charging for MIPRO rechargeable handheld & bodypack transmitters and an ICR18500 rechargeable battery. Each station also provides two storage slots for 2 spare charged ICR18500 lithium batteries.
3. MP-80's intelligent charging circuitry provides fast & trickle charges with protections from reverse polarity and short circuits and precise charging status with red (charging) & green (charged) indicators.
4. Two or more chargers can be easily interconnected for more charging options.

Specifications

Input Voltage Range	DC 10V~15V /1A
Battery Type	ICR18500 3.7V Li-ion Battery × 2
Charge Methods	Termination by 20% Regulated Current
Charge Current	Approx. 500mA
Current Consumption	Approx.600mA /12V, for two batteries charging at the same time
Dimension (W × H × D)	92 × 87 × 158mm (3.6 × 3.4 × 6.2")
Weights	Approx. 300g (10.6 oz)
Environmental	-10~+ 60 °C