

**Superlux**<sup>®</sup>**CONTRACTOR GRADE****E324 Boundary Microphone**

Superlux E324W &amp; E324B



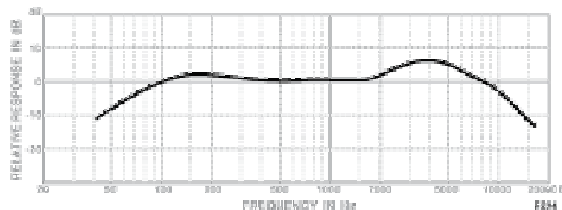
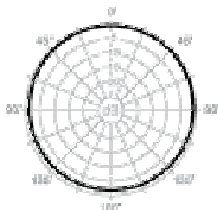
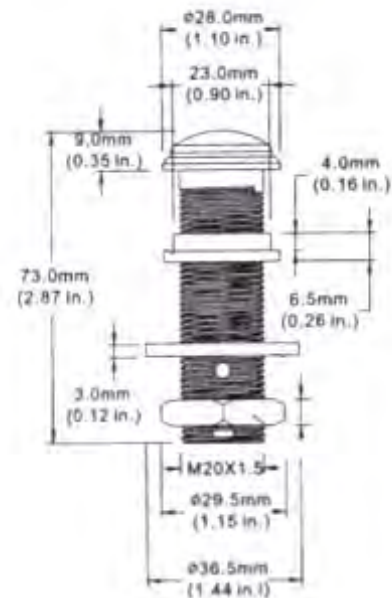
The Superlux family of boundary microphones represent exceptional value and performance in the installed sound, sound reinforcement and recording environments.

The E324 is a professional solution for teleconferencing, distance learning, courtroom, conference and meeting rooms, stage, council chambers and worship applications. Designed for ultra low profile permanent table, ceiling or panel mount applications the E324 is elegant and unobtrusive. It features a back electret cardioid condenser, wide dynamic range, low noise balanced inline preamplifier and XLR connectivity.

The Superlux E324 has an extended frequency response and is available in black or white. This versatile microphone is an excellent choice for any situation where high quality sound and low-profile aesthetics are essential.

**SPECIFICATIONS**

Element	Back Electret Condenser
Polar Pattern	Omni directional
Frequency Response	60—14,000 Hz
Sensitivity	-30dB/V (32mV/Pa) at 1000 Hz $\pm$ 3dB
Equivalent Noise	< 26dB (A-weighted)
Impedance	200 Ohms
Max SPL	132dB at 1000 Hz (THD $\leq$ 1% 1kHz)
Dynamic Range	106dB (1000 ohm load)
Phantom Power Requirements	9 to 52VDC
Finish	Low Gloss White or Black
Connector	3 pin Male XLR
Weight	2.30 oz.
RoHS	Product and Packaging Follow EU 2002/95/EC and Comply to RoHS Requirements


**Avlex**  
 Corporation

Toll Free: 877-447-9216 Toll Free Fax: 877-462-9216 www.avlex.com