

MOD-FCSKIT300(B)

Modular Series Floor-to-Ceiling Kit For 32" to 60" Displays

The Peerless-AV® Modular Mounts Line includes a small and easily manageable number of sku's, yet provides a full range of options that can fulfill a vast majority of end-user requirements. Universal components make it quick and easy to design and configure perfect custom flat panel display or projector mounting solutions - ideal for any application.

The Modular Mount Line was developed with the professional AV installer in mind. Designed around a 2" (50mm) diameter pole, the line is ideal for new projects as well as for upgrading existing installations.

The MOD-FCSKIT300 Floor-to-Ceiling Kit includes all of the components required to mount a single 32-60" flat panel display between the floor and ceiling. As a part of the Peerless-AV Modular Series, it can be expanded with additional Modular accessories (sold separately) to accommodate additional displays or to create alternative configurations to achieve the perfect custom mounting solution.



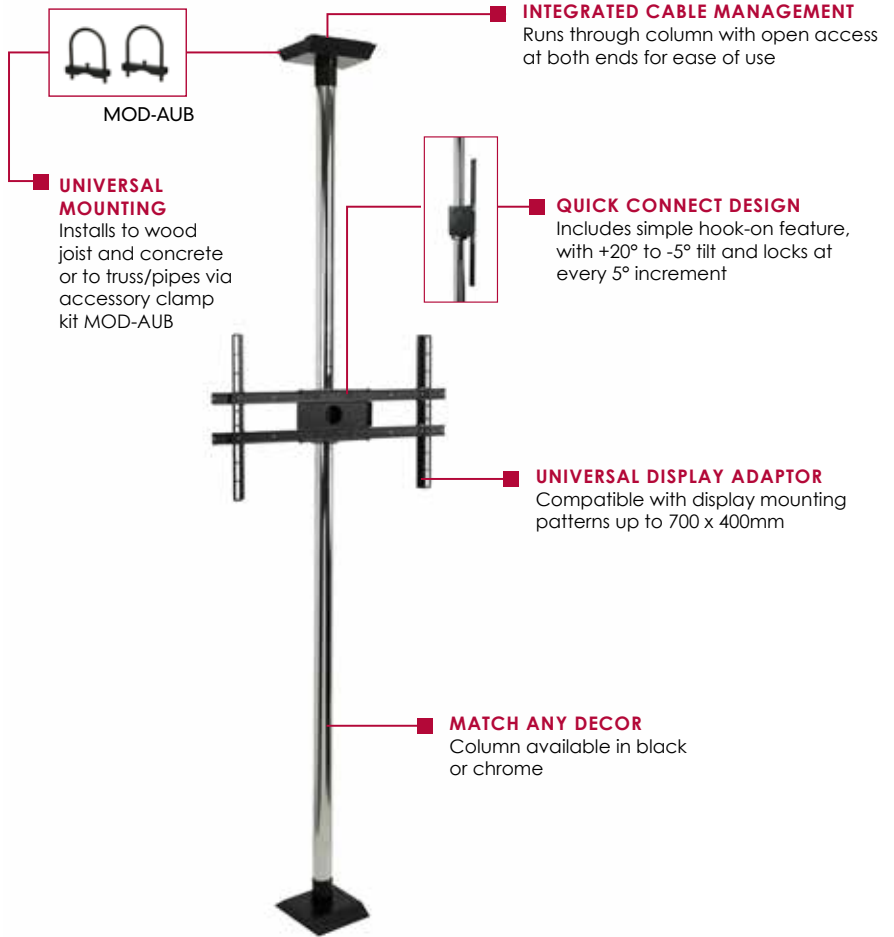
Display size: 32" - 60"



Max load: 132lb (60kg) per display
374lb (170kg) total

FEATURES

- Pre-assembled Kit includes:
 - Flat ceiling/floor plates
 - 9'-8" (3m) chrome or black extension column
 - Single display flat panel mount
 - Display stacking clamp
 - Large universal adaptor
- Heavy duty flat plate mounts to wood or concrete ceiling and floor
- Easy single display installation between floor and ceiling up to 9'-8" (3m) height
- Universal display adaptor for 32" to 60" displays with VESA® mounting patterns up to 700 x 400mm
- Versatile display positioning at any point along the height of the 2" (50mm) diameter column



Tilt bracket



Accessory Cover for MOD-CPF Ceiling Plate



205 Westwood Ave, Long Branch, NJ 07740
Phone: 866-94 BOARDS (26273) / (732)-222-1511
Fax: (732)-222-7088 | E-mail: sales@touchboards.com



MOD-FCSKIT300(-B) Modular Series Floor-to-Ceiling Kit for 32" to 60" Displays

Product Specifications

	DIMENSIONS (W x H x D)	PRODUCT WEIGHT	LOAD CAPACITY	FINISH	AVAILABLE COLORS
MOD-FCSKIT300(-B)	28.50" x 118.11" x 4.21" (724 x 3000 x 107mm)	26.3lb (11.9kg)	132lb (60kg) per display 374lb (170kg) total	Powder coat	MOD-FCSKIT300: Black/Chrome MOD-FCSKIT300-B: Black

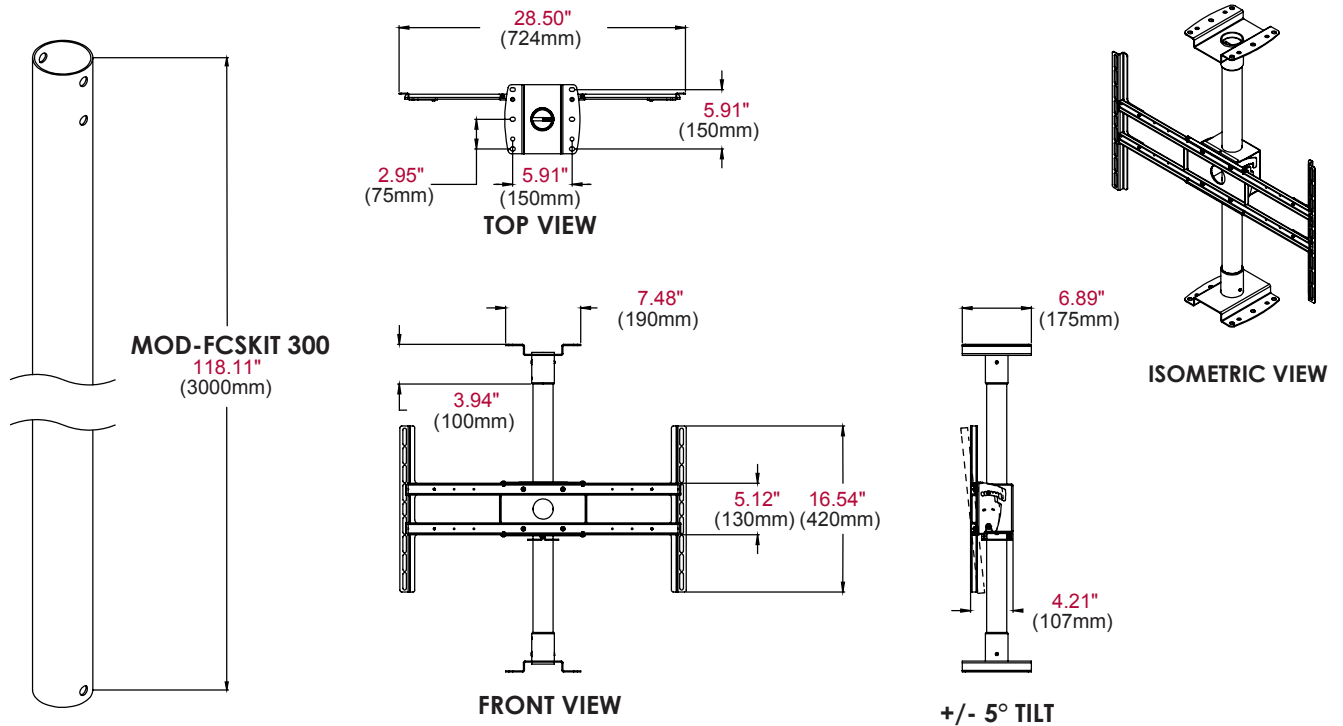
Package Specifications

	PACKAGE SIZE (W x H x D)	PACKAGE SHIP WEIGHT	PACKAGE UPC CODE	PACKAGE CONTENTS	UNITS IN PACKAGE
MOD-FCSKIT300(-B)	BOX 1: 10.25" x 10.25" x 8.25" (260 x 260 x 210 mm) BOX 2: 35.38" x 4.00" x 2.00" (899 x 102 x 51mm) BOX 3: 120.00" x 2.50" (3048 x 64mm)	BOX 1: 33.8lb (10.7kg) BOX 2: 4.0lb (1.8kg) BOX 3: 2.0lb (0.9kg)	MOD-FCSKIT300: 735029282532 MOD-FCSKIT300-B: 735029290162	- 2 each MOD-CPF heavy duty flat ceiling plate - MOD-P300 9' 8" (3m) extension pole - MOD-ASC display stacking clamp - MOD-FPMS single screen mount - MOD-UNL large universal adaptor	1

Accessories

- MOD-ACF(-W):** Accessory Cover for MOD-CPF Ceiling Plate
- MOD-ADF:** Accessory Drill Fixture for 50mm Pole
- MOD-APC:** Accessory Pole Coupler
- MOD-ASC:** Accessory Screen-Stacking Clamp
- MOD-ATD-W:** Accessory Trim Disc
- MOD-AUB:** Accessory U-Bolt Adaptor
- MOD-CPC(-W):** Ceiling Plate, Cathedral
- MOD-CPF:** Square Ceiling Plate, Flat (7.4" x 6.8")
- MOD-CPI:** I-Beam Ceiling Plate, Flat
- MOD-FPMD:** Flat Panel Mount, Dual Back-To-Back
- MOD-FPMS(-W):** Flat Panel Mount, Single
- MOD-P100(-B):** 50mm Extension Pole - 39" (1.0m)
- MOD-P150(-B):** 50mm Extension Pole - 59" (1.5m)
- MOD-P200(-B):** 50mm Extension Pole - 78" (2.0m)
- MOD-P300(-B):** 50mm Extension Pole - 118" (3.0m)
- MOD-UNL:** Universal Screen Adaptor, Large
- MOD-UNM:** Universal Screen Adaptor, Medium

All dimensions = inch (mm)



ARCHITECTS SPECIFICATIONS

The Modular Series Floor-to-Ceiling Kit shall be a Peerless-AV model MOD-FCSKIT300(-B) and shall be located where indicated on the plans. Assembly and installation shall be done according to instructions provided by the manufacturer.