

MOD-FPSKIT100(B) MOD-FPSKIT150(B)

Modular Series Ceiling Kit For 32" to 60" Displays

The Peerless-AV® Modular Mounts Line includes a small and easily manageable number of sku's, yet provides a full range of options that can fulfill a vast majority of end-user requirements. Universal components make it quick and easy to design and configure perfect custom flat panel display or projector mounting solutions - ideal for any application.

The Modular Mount Line was developed with the professional AV installer in mind. Designed around a 2" (50mm) diameter pole, the line is ideal for new projects as well as for upgrading existing installations.

The MOD-FPSKIT100/150 Ceiling Mount Kit includes all of the components required to ceiling mount a single 32-60" flat panel display. As a part of the Peerless-AV Modular Series, it can be expanded with additional Modular accessories (sold separately) to accommodate additional displays or to create alternative configurations to achieve the perfect custom mounting solution.



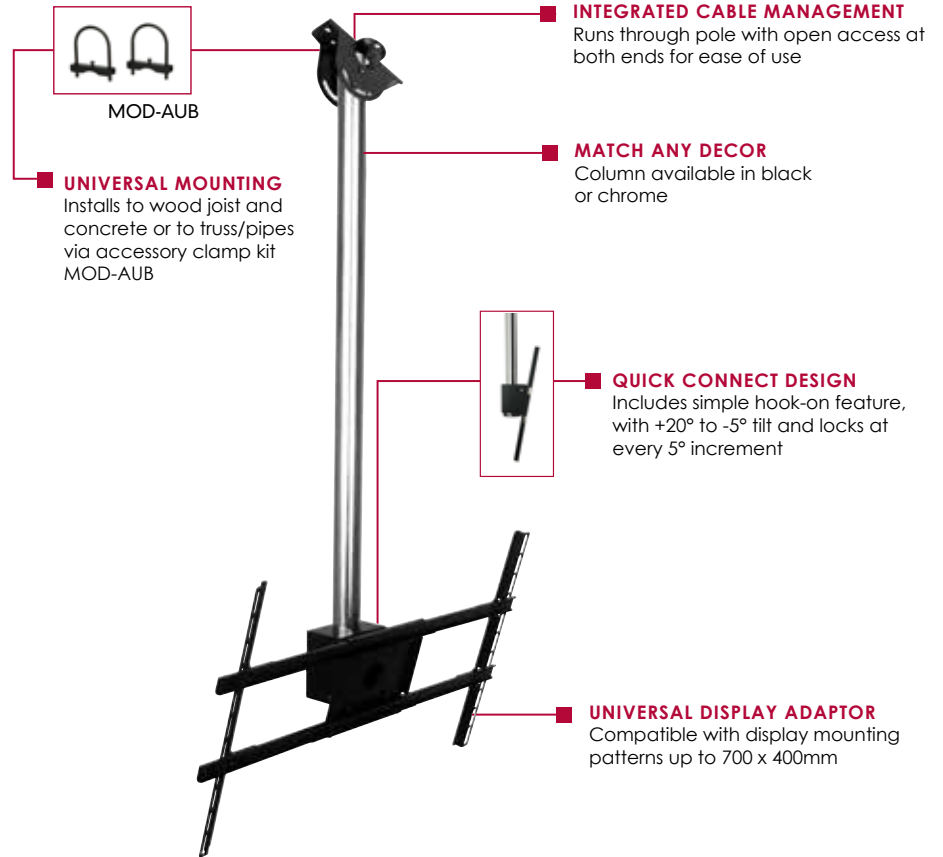
Display size: 32" - 60"



Max load: 132lb (60kg) per display
264lb (120kg) total

FEATURES

- Pre-assembled Kit includes:
 - Cathedral ceiling plate
 - 3' (1m) or 5' (1.5m) chrome or black extension pole
 - Single display flat panel mount
 - Large universal adaptor
- Cathedral ceiling plate can be angled $\pm 60^\circ$ for use with vaulted or sloping ceilings
- Easy single display installation up to 3' (1m) or 5' (1.5m) height
- Universal display adaptor for 32" to 60" displays with VESA® mounting patterns up to 700 x 400mm
- Versatile display positioning at any point along the height of the 2" (50mm) pole with MOD-ASC (sold separately)



205 Westwood Ave, Long Branch, NJ 07740
Phone: 866-94 BOARDS (26273) / (732)-222-1511
Fax: (732)-222-7088 | E-mail: sales@touchboards.com



Tilt bracket



Ceiling Plate Cathedral Accessory, MOD-CPC



Model Numbers

WARRANTY: Limited 5-year

MOD-FPSKIT100(B)	Modular Series Ceiling Kit for 32" to 60" Displays; 3' (1m) height
MOD-FPSKIT150(B)	Modular Series Ceiling Kit for 32" to 60" Displays; 5' (1.5m) height

Product Specifications

	DIMENSIONS (W x H x D)	PRODUCT WEIGHT	LOAD CAPACITY	FINISH	AVAILABLE COLORS
MOD-FPSKIT100(B)	28.50" x 39.37" x 4.14" (724 x 1000 x 105mm)	14.8lb (6.7kg)	132lb (60kg) per display 264lb (112kg) total	Powder coat	MOD-FPSKIT100/150: Black/Chrome
MOD-FPSKIT150(B)	28.50" x 59.05" x 4.14" (724 x 1500 x 105mm)	17.2lb (7.8kg)			MOD-FPSKIT100B/150B: Black

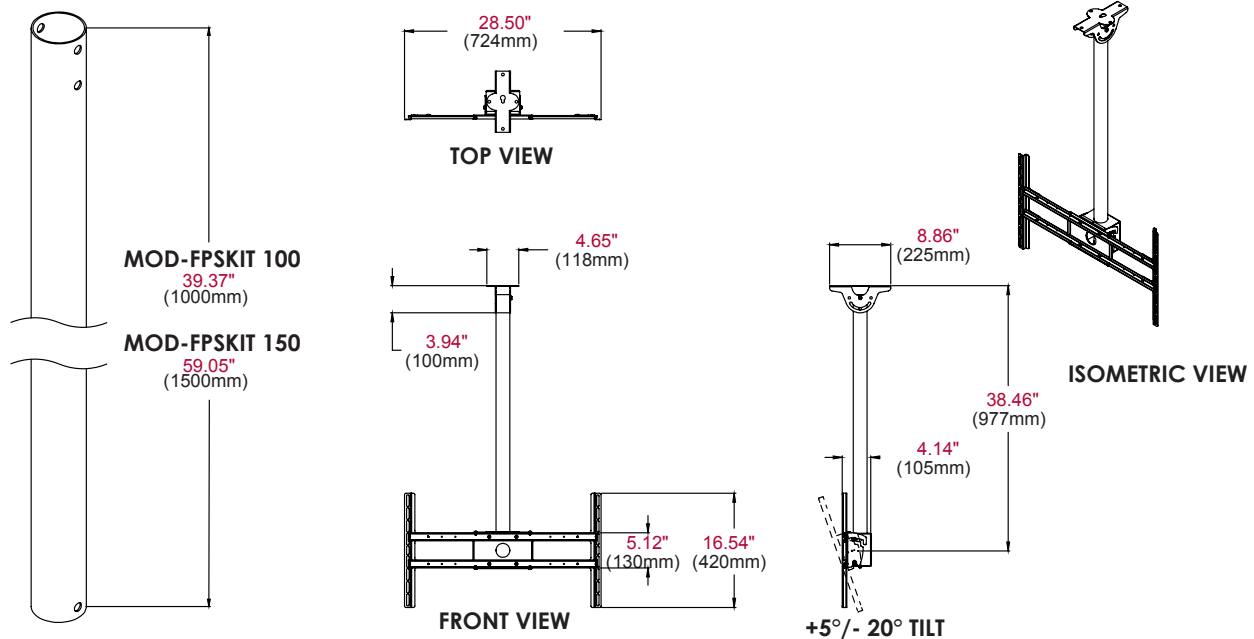
Package Specifications

	PACKAGE SIZE (W x H x D)	PACKAGE SHIP WEIGHT	PACKAGE UPC CODE	PACKAGE CONTENTS	UNITS IN PACKAGE
MOD-FPSKIT 100(B)/150(B)	BOX 1: 10.25" x 10.25" x 8.25" (260 x 260 x 210mm)	BOX 1: 11.24lb (5.1kg)	MOD-FPSKIT100: 735029282433	- MOD-CPC Cathedral ceiling plate	1
	BOX 2: 35.38" x 4.00" x 2.00" (899 x 102 x 51mm)	BOX 2: 4.0lb (1.8kg)	MOD-FPSKIT100B: 735029290124	- MOD-P100 3' (1.0m) extension pole or MOD-P150 5' (1.5m) extension pole	
	MOD-FPSKIT100(B): 41.50" x 2.50" (1054 x 64mm)	BOX 3: 2.0lb (0.9kg)	MOD-FPSKIT150: 73502926981	- MOD-FPMS single screen mount	
	MOD-FPSKIT150(B): 61.00" x 2.50" (1549 x 64mm)		MOD-FPSKIT150B: 735029290131	- MOD-UNL large universal adaptor	

Accessories

MOD-ACF(-W): Accessory Cover for MOD-CPF Ceiling Plate	MOD-CPC(-W): Ceiling Plate, Cathedral	MOD-P150(-B): 50mm Extension Pole - 59" (1.5m)
MOD-ADF: Accessory Drill Fixture for 50mm Pole	MOD-CPF: Square Ceiling Plate, Flat (7.4" x 6.8")	MOD-P200(-B): 50mm Extension Pole - 78" (2.0m)
MOD-APC: Accessory Pole Coupler	MOD-CPI: I-Beam Ceiling Plate, Flat	MOD-P300(-B): 50mm Extension Pole - 118" (3.0m)
MOD-ASC: Accessory Screen-Stacking Clamp	MOD-FPMD: Flat Panel Mount, Dual Back-To-Back	MOD-UNL: Universal Screen Adaptor, Large
MOD-ATD-W: Accessory Trim Disc	MOD-FPMS(-W): Flat Panel Mount, Single	MOD-UNM: Universal Screen Adaptor, Medium
MOD-AUB: Accessory U-Bolt Adaptor	MOD-P100(-B): 50mm Extension Pole - 39" (1.0m)	

All dimensions = inch (mm)



ARCHITECTS SPECIFICATIONS

The Modular Series Ceiling Kit shall be a Peerless-AV model MOD-FPSKIT150(B)/100(B) and shall be located where indicated on the plans. Assembly and installation shall be done according to instructions provided by the manufacturer.