

MOD-P100(-B)  
MOD-P150(-B)  
MOD-P200(-B)  
MOD-P300(-B)

## Extension Poles

For Modular Series Flat Panel Display and Projector Mounts

The Peerless-AV Modular Mounts Line features a full range of products that can fulfill multiple requirements from a limited number of SKUs. With the universality of the components, configure your own perfect custom flat-panel display or projector mounting solution for any application.

The Modular Mount Line was developed with the professional AV installer in mind. Designed around a 2" (50mm) diameter pole, the line is ideal for new projects as well as for upgrading existing installations.

The MOD-P100/150/200/250 Extension Poles are designed for use with the Peerless-AV Modular Series Mounts. They offer perfect solution for tailoring each unique installation with custom cut-to-length poles.

### FEATURES

- 2" (50mm) diameter pole
- Cuttable to desired length
- Black or polished chrome



# Touchboards

205 Westwood Ave, Long Branch, NJ 07740  
Phone: 866-94 BOARDS (26273) / (732)-222-1511  
Fax: (732)-222-7088 | E-mail: [sales@touchboards.com](mailto:sales@touchboards.com)



<b>MOD-P100(-B)</b>	39" (1m) Length Extension Pole for Modular Series Flat Panel Display and Projector Mounts
<b>MOD-P150(-B)</b>	59" (1.5m) Length Extension Pole for Modular Series Flat Panel Display and Projector Mounts
<b>MOD-P200(-B)</b>	78" (2m) Length Extension Pole for Modular Series Flat Panel Display and Projector Mounts
<b>MOD-P300(-B)</b>	118" (3m) Length Extension Pole for Modular Series Flat Panel Display and Projector Mounts

Product Specifications

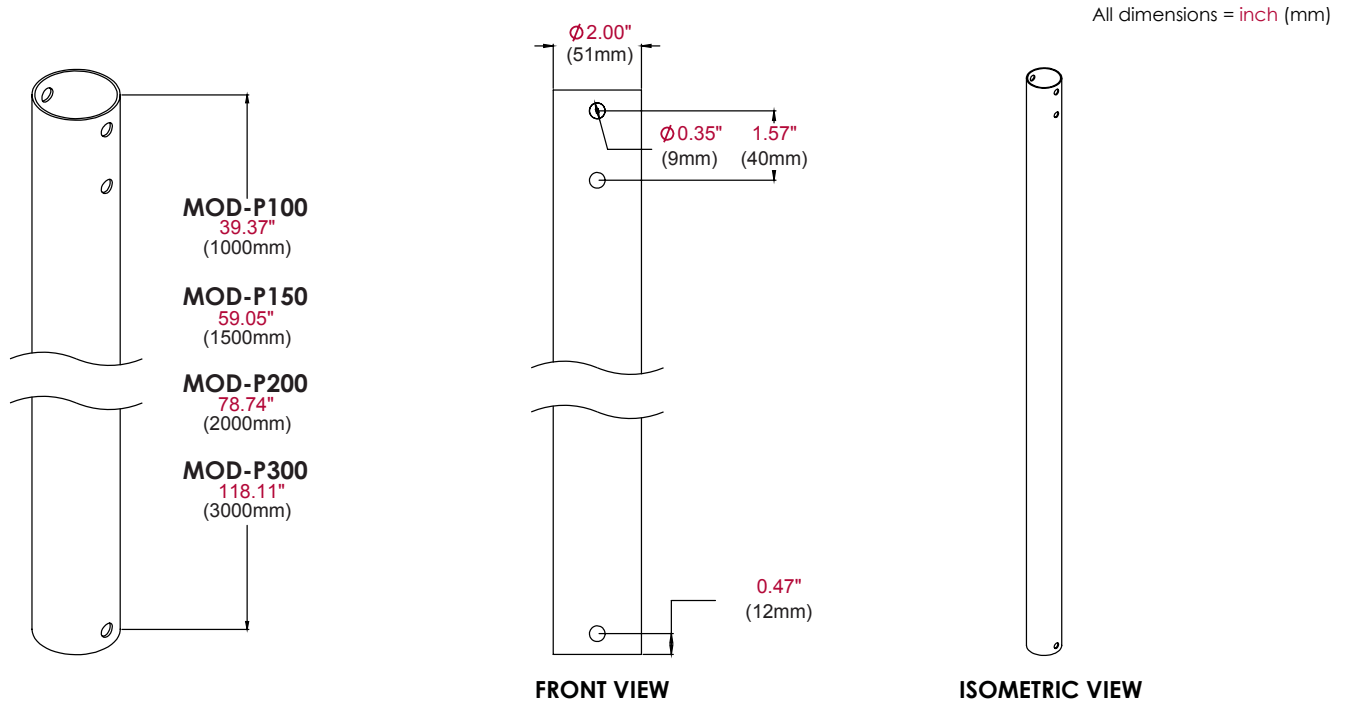
	DIMENSIONS (W x H x D)	PRODUCT WEIGHT	LOAD CAPACITY	FINISH	AVAILABLE COLORS
<b>MOD-P100(-B)</b>	2.00" x 3.20' x 2.00" (50 x 975 x 50mm)	4.7lb (2.1kg)	N/A	Power coat	Chrome/Black
<b>MOD-P150(-B)</b>	2.00" x 4.90' x 2.00" (50 x 1493 x 50mm)	6.4lb (2.9kg)			
<b>MOD-P200(-B)</b>	2.00" x 6.50' x 2.00" (50 x 1981 x 50mm)	9.0lb (4kg)			
<b>MOD-P300(-B)</b>	2.00" x 9.84' x 2.00" (50 x 2999 x 50mm)	13.8lb (6.2kg)			

Package Specifications

	PACKAGE SIZE (W x H x D)	PACKAGE SHIP WEIGHT	PACKAGE UPC CODE	PACKAGE CONTENTS	UNITS IN PACKAGE
<b>MOD-P100(-B)</b>	2.50" x 41.00" (63 x 1054mm)	5lb (2.2kg)	MOD-P100: 735029279020	Extension Pole	1
<b>MOD-P150(-B)</b>	2.50" x 61.00" (63 x 1549.4mm)	7.4lb (3.3kg)	MOD-P150: 73502926995		
<b>MOD-P200(-B)</b>	2.50" x 81.00" (63 x 2057.4mm)	10lb (4.5kg)	MOD-P200: 735029279037		
<b>MOD-P300(-B)</b>	2.50" x 120.00" (63 x 3048mm)	14.8lb (6.7kg)	MOD-P300: 73502926996		
			MOD-P100-B: 735029290179		
			MOD-P150-B: 735029290216		
			MOD-P200-B: 735029290223		
			MOD-P300-B: 735029290421		

Accessories

- MOD-ACF(-W):** Accessory Cover for MOD-CPF Ceiling Plate
- MOD-APC:** Accessory Pole Coupler
- MOD-APRG(-W):** Accessory Projector Adaptor, PRG Mount
- MOD-APRS(-W):** Accessory Projector Adaptor, PRS Mount
- MOD-ASC:** Accessory Display-Stacking Clamp
- MOD-ADF:** Pole Drill Fixture
- MOD-AUB:** Accessory U-Bolt Adaptor
- MOD-CPC(-W):** Ceiling Plate, Cathedral
- MOD-CPF:** Square Ceiling Plate, Flat (7.4" x 6.8")
- MOD-CPI:** I-Beam Ceiling Plate, Flat
- MOD-FPMD:** Flat Panel Mount, Dual Back-To-Back
- MOD-FPMS(-W):** Flat Panel Mount, Single
- MOD-ATD-W:** Trim Disc
- MOD-UNL:** Universal Display Adaptor, Large
- MOD-UNM:** Universal Display Adaptor, Medium



ARCHITECTS SPECIFICATIONS

The Extension Pole shall be a Peerless-AV model MOD-P100/150/200/300 and shall be located where indicated on the plans. Assembly and installation shall be done according to instructions provided by the manufacturer.