

# DIGITAL PROJECTOR | MS517

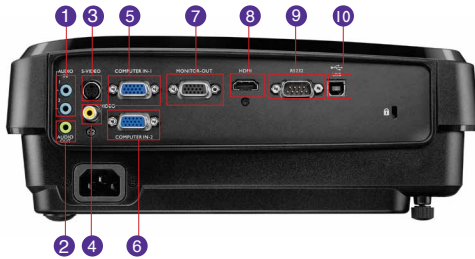


## Features

- Native SVGA Resolution (800x600)
- 2800 ANSI Lumens; 13,000:1 Contrast Ratio
- SmartEco™ Power Saving Technology
- Up to 6500 Hours Long Lamp Life
- Instant Restart & HDMI
- Various 3D Format for Entertainment



## Input and Output Terminals



- |                            |                             |
|----------------------------|-----------------------------|
| 1 Audio In 1&2 (Mini Jack) | 6 Computer-2 (D-sub 15pin)  |
| 2 Audio Out (Mini Jack)    | 7 Monitor Out (D-sub 15pin) |
| 3 S-Video (Mini DIN 4-pin) | 8 HDMI                      |
| 4 Video Out (RCA Jack)     | 9 RS232 (DB-9pin)           |
| 5 Computer-1 (D-sub 15pin) | 10 USB (Mini-B)             |

## Specifications

|                             |   |
|-----------------------------|---|
| Projection System           | DLP   |
| Native Resolution           | SVGA(800 x 600)   |
| Brightness                  | 2800AL  |
| Contrast Ratio              | 13,000:1  |
| Display Color               | 1.07 Billion Colors   |
| Lens                        | F=2.51~2.69 f=21.95mm~24.18mm   |
| Aspect Ratio                | Native 4:3 (5 aspect ratio selectable)  |
| Throw Ratio                 | 1.97-2.17 (50" @ 2m)  |
| Image Size Diagonal         | 37"~300"  |
| Zoom Ratio                  | 1.1:1   |
| Lamp Type                   | 190W  |
| Lamp Life*                  | 4500/6000/6500 hours  |
| Keystone Adjustment         | 1D, Vertical +/- 40 degrees   |
| Projection Offset           | 130% ±5%  |
| Resolution Support          | VGA(640 x 480) to UXGA(1600 x 1200)   |
| Horizontal Frequency        | 15~102KHz   |
| Vertical Scan Rate          | 23~120Hz  |
| Compatibility               | HDTV Compatibility: 480i, 480p, 576i, 576p, 720p, 1080i, 1080p<br>Video Compatibility: NTSC, PAL, SECAM   |
| Interface                   | Computer In (D-Sub 15pin) x2 (shared with Component)<br>Monitor Out (D-Sub 15 pin) x1<br>Composite Video In (RCA) x1<br>S-Video In (Mini DIN 4pin) x1<br>HDMI x 1<br>Audio In (Mini Jack) x2<br>Audio Out (Mini Jack) x1<br>Speaker 2W x1<br>USB (Type B) x1 (Download & page up/down)<br>RS232 (DB-9Pin) x1<br>IR Receiver x 1 (Front) |
| Dimensions (WxHxD)          | 11.9 x 4.4 x 8.7 inch   |
| Weight                      | 5.06 lbs (2.3kg)  |
| Power Supply                | AC100 to 240 V, 50 to 60 Hz   |
| Power Consumption           | 245W (typical), Standby<0.5W  |
| Audible Noise               | 32/30 dBA (Normal/Economic mode)  |
| On-Screen Display Languages | Arabic/Bulgarian/ Croatian/ Czech/ Danish/ Dutch/ English/ Finnish/ French/ German/ Greek/ Hindi/ Hungarian/ Italian/ Indonesian/ Japanese/ Korean/ Norwegian/ Polish/ Portuguese/ Romanian/ Russian/ Simplified Chinese/Spanish/ Swedish/ Turkish/ Thai/ Traditional Chinese (28 Languages)  |
| Picture Mode                | Dynamic/Presentation/sRGB/Cinema/User 1/User 2  |
| Accessories (Standard)      | Lens Cover, Remote Control w/ Battery, Power Cord (by region)<br>User Manual CD, Quick Start Guide, Warranty Card (by region)<br>VGA(D-sub 15pin) Cable   |
| Accessories (Optional)      | Spare Lamp Kit 5J.J6L05.001<br>Ceiling Mount 5J.J4N10.001<br>3D Glasses 5J.J7K25.001<br>Carry bag 5J.J4R09.001  |
| UPC Code                    | 8400460-2494-9  |
| Limited Warranty            | 1 year parts & labor; 180 days / 500 hours of lamp life   |

\*Lamp life results will vary depending on environmental conditions and usage. Actual product's features and specifications are subject to change without notice.



MS517 09-13-12-BQus



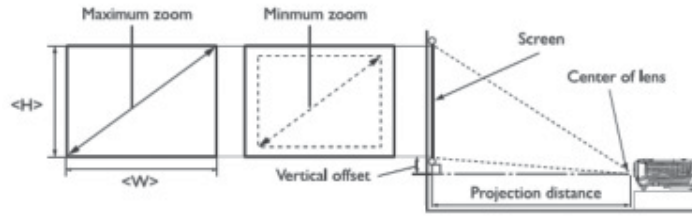
BenQ America Corp.  
15375 Barranca Parkway, Suite A-205, Irvine, CA 92618 Tel: (949) 255-9500 www.BenQ.us

BenQ is a registered trademark of BenQ Corp. DLP is a registered trademark of Texas Instruments. All rights reserved.  
Product names, logos, brands, and other trademarks featured or referred to in this materials are the property of their respective trademark holders.  
Specifications subject to change without notice.



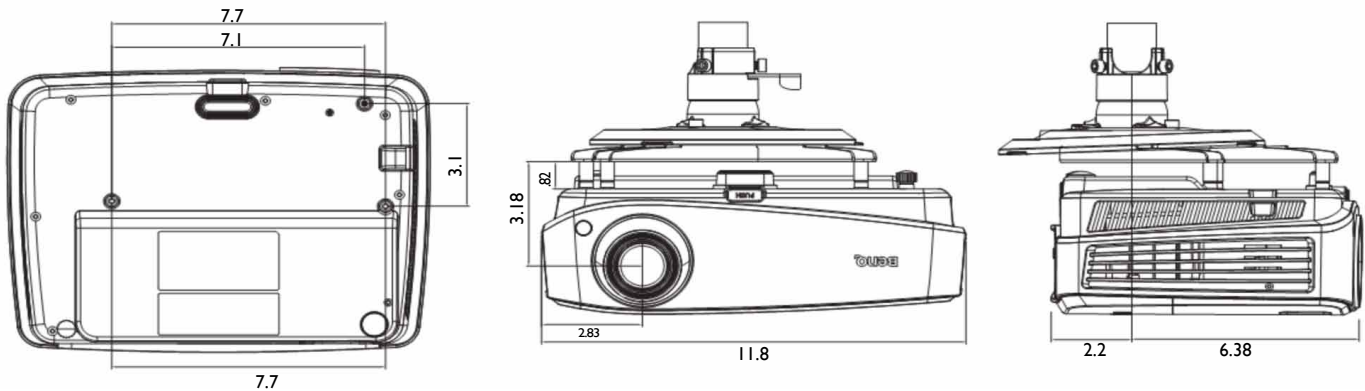
# MS517 Digital Projector

## Distance Chart



| Screen Size |      |          |          | Distance from screen (inch) |         |                        | Vertical offset (inch) |
|-------------|------|----------|----------|-----------------------------|---------|------------------------|------------------------|
| Diagonal    |      | W (inch) | H (inch) | Min length (Max zoom)       | Average | Max length (Min. zoom) |                        |
| 30          | 762  |          |          | 24                          | 18      | 47.2                   | 49.6                   |
| 40          | 1016 | 32       | 24       | 62.9                        | 66.1    | 69.2                   | 3.5                    |
| 50          | 1270 | 40       | 30       | 78.7                        | 82.6    | 86.6                   | 4.4                    |
| 60          | 1524 | 48       | 36       | 94.4                        | 99.2    | 103.9                  | 5.3                    |
| 80          | 2032 | 64       | 48       | 125.9                       | 132.2   | 138.5                  | 7.2                    |
| 100         | 2540 | 80       | 60       | 157.4                       | 165.3   | 173.2                  | 9.0                    |
| 120         | 3048 | 96       | 72       | 188.9                       | 198.4   | 207.8                  | 10.7                   |
| 150         | 3810 | 120      | 90       | 236.2                       | 248.0   | 259.8                  | 13.5                   |
| 200         | 5080 | 160      | 120      | 314.9                       | 330.7   | 346.4                  | 17.9                   |
| 220         | 5588 | 176      | 132      | 346.4                       | 363.7   | 381.1                  | 19.8                   |
| 250         | 6350 | 200      | 150      | 393.7                       | 413.3   | 433.0                  | 22.5                   |
| 300         | 7320 | 240      | 180      | 472.4                       | 496.0   | 519.6                  | 27.0                   |

## Ceiling Mount Chart



Units: inch

## Dimensions



**Touchboards**

205 Westwood Ave, Long Branch, NJ 07740  
Phone: 866-94 BOARDS (26273) / (732)-222-1511  
Fax: (732)-222-7088 | E-mail: sales@touchboards.com

