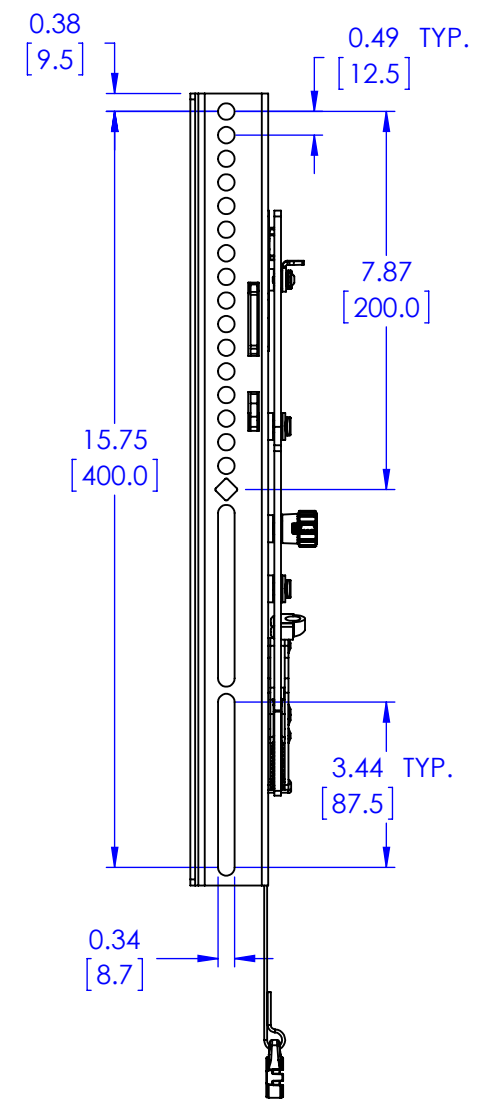
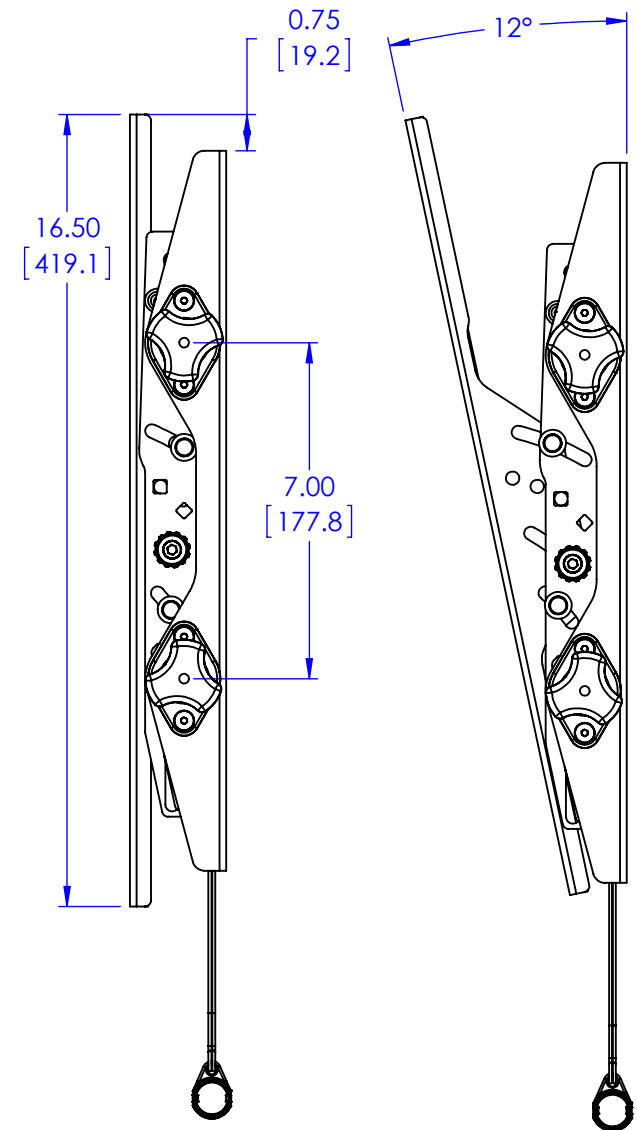


RAILS CAN BE SLID LEFT OR RIGHT FOR OFFSET



1. MAXIMUM MOUNTING PATTERN IS 22.25" (565 mm) WITHOUT REVERSING UPRIGHTS
2. MAXIMUM MOUNTING PATTERN IS 25.6" (650 mm) WITH REVERSING UPRIGHTS
3. FOR RECESSED APPLICATIONS, MINIMUM VERTICAL LIFT FOR HOOK ENGAGEMENT IS .75" (19 mm)

THE INFORMATION AND DESIGNS CONTAINED IN THIS DRAWING ARE CONFIDENTIAL AND THE PROPRIETARY PROPERTY OF MILESTONE AV TECHNOLOGIES NEITHER THIS DESIGN NOR ANY INFORMATION CONTAINED IN THIS DRAWING MAY BE REPRODUCED OR DISCLOSED TO OTHERS WITHOUT THE EXPRESS WRITTEN CONSENT OF MILESTONE AV TECHNOLOGIES.

CAD GENERATED DRAWING, DO NOT MANUALLY UPDATE.				6436 CITY WEST PKWY EDEN PRAIRIE MN, 55344 PHONE: 866-977-3901 FAX: 877-894-6918	
DRAWN BY	JAB	7/14/2014		DESCRIPTION <b>MTA1U CUSTOMER TECHNICAL DRAWING</b>	
ENG APPROVAL			MODEL NO. <b>MTA1U</b>		
MFG APPROVAL			SIZE DWG. NO. <b>B TECH-000636</b>		
QA APPROVAL			REV. <b>01</b>		
SHEET 1 OF 1			SCALE <b>1:8</b>		