

DIGITAL
PROJECTOR

MW853UST+



Features

- Native WXGA (1280 x 800) Resolution
- 3,200 ANSI Lumens, 10,000:1 High Contrast Ratio
- SmartEco™ Power Saving Technology
- Vertical 8% lens shift
- Up to 7,000 Hours Lamp Life
- PointWrite Interactive Kit Compatible
- Wall Mount Included
- Full 3D Ready



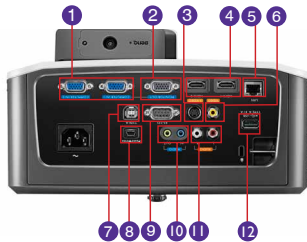
PointWrite Kit (PW01U)



Touch Module (PT02)



Input and Output Terminals



- | | |
|-----------------------------------|-----------------------------|
| 1 Computer in 1 & 2 (D-sub 15pin) | 7 USB (Type Mini B) |
| 2 Monitor Out (D-sub 15pin) | 8 PointWrite |
| 3 S-Video In (Mini DIN 4pin) | 9 RS232 (DB-9pin) |
| 4 HDMI 1 & 2 | 10 Audio In/Out (Mini Jack) |
| 5 LAN | 11 Audio (L/R) |
| 6 Composite Video in (RCA) | 12 USB (Type A) |

Specifications

| Specifications | MW853UST+ |
|------------------------------|--|
| Projection System | DLP® |
| Native Resolution | WXGA (1280 x 800) |
| Brightness | 3,200AL |
| Contrast Ratio | 10,000:1 |
| Display Color | 1.07 Billion Colors |
| Lens | F2.5, f=5.1mm |
| Lens Shift | Vertical 8% Lens Shift |
| Aspect Ratio | Native 16:10 (5 aspect ratio selectable) |
| Throw Ratio | 0.35 |
| Image Size (Diagonal) | 80"~100", Optimal 87" |
| Zoom Ratio | Fix |
| Lamp Type | 230W |
| Lamp (Normal/Economic Mode)* | 4000/5000/7000 hours |
| Keystone Adjustment | 1D, Vertical +/- 40 degrees |
| Projection Offset | 136% ~ 144% (±5%) |
| Resolution Support | VGA(640 x 480) to UXGA(1600 x 1200) |
| Horizontal Frequency | 15~102KHz |
| Vertical Scan Rate | 23~120Hz |
| Compatibility | HDTV Compatibility: 480i, 480p, 576i, 576p, 720p, 1080i, 1080p Video Compatibility: NTSC, PAL, SECAM, |
| Interface | Computer in (D-sub 15pin) x 2 (Shared with component) Monitor out (D-sub 15pin) x 1 Composite Video in (RCA) x 1 S-Video in (Mini DIN 4pin) x 1 HDMI x 2 Audio in (Mini Jack) x 1 Audio out (Mini Jack) x 1 Audio L/R x 1 Speaker 10W x 2 USB (Type A) x1 (1A Power for PT01 Touch module) USB (Type mini B) x 1 (PointWrite interactive module) USB (Type B) x 1 (FW download) RJ45 x 1 (LAN control) RS232 (DB-9pin) x 1 IR Receiver x 2 (Front) |
| Dimensions (WxHxD) | 287.5 x 373.3 x 130.2 mm (w/o Mirror) 287.5 x 373.3 x 201 mm (w Mirror) |
| Weight | 5KG (11.02 lbs) w/o wall mount |
| Power Supply | AC100 to 240 V, 50 to 60 Hz |
| Power Consumption | Typical 290W, Standby power <0.5W |
| Audible Noise | 33/29 dBA (Normal/Economic mode) |
| Languages | Arabic/Bulgarian/ Croatian/ Czech/ Danish/ Dutch/ English/ Finnish/ French/ German/ Greek/ Hindi/ Hungarian/ Italian/ Indonesian/ Japanese/ Korean/ Norwegian/ Polish/ Portuguese/ Romanian/ Russian/ Simplified Chinese/Spanish/ Swedish/ Turkish/ Thai/ Traditional Chinese (28 Languages) |
| Picture Mode | Dynamic/Presentation/sRGB/Cinema/(3D)/User 1/User 2 |
| Accessories (Standard) | Remote Control w/ Battery, Power Cord, User Manual CD Quick Start Guide, Warranty Card, VGA(D-sub 15pin) Cable Dust filter(C SKU), Wall mount installation guide, Wall Mount |
| Accessories (Optional) | Spare Lamp Kit P/N: 5J.J8M05.011 3D Glasses_DGD05 P/N: 5J.J9H25.001 PointWrite Kit (PW01U) P/N: 5J.J8L26.20E PointWrite Pen Only P/N: 5J.J9A26.001 Touch Module PT02 P/N: 5J.J8L26.11E Remote Control RCE012 P/N: 5J.JAC06.001 |
| UPC / Part # | 8400460-3149-7 / 9H.J8L77.26A |
| Limited Warranty | 3 Years Parts/Labor; 1 Year or 2000 Hours of Lamp Life |

*Lamp life results will vary depending on environmental conditions and usage. Actual product's features and specifications are subject to change without notice.



Touchboards

205 Westwood Ave, Long Branch, NJ 07740
Phone: 866-94 BOARDS (26273) / (732)-222-1511
Fax: (732)-222-7088 | E-mail: sales@touchboards.com

BenQ Canada Corp.
Tel: (416) 363-2367 | www.BenQ.ca

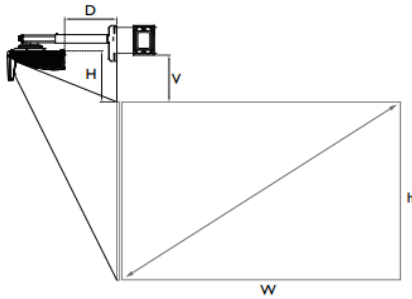
BenQ is a registered trademark of BenQ Corp. All rights reserved. Product names, logos, brands, and other trademarks featured or referred to in the materials are the property of their respective trademark holders. Specifications subject to change without notice.
MW853UST+ 030315_BQca

BenQ

Because it matters

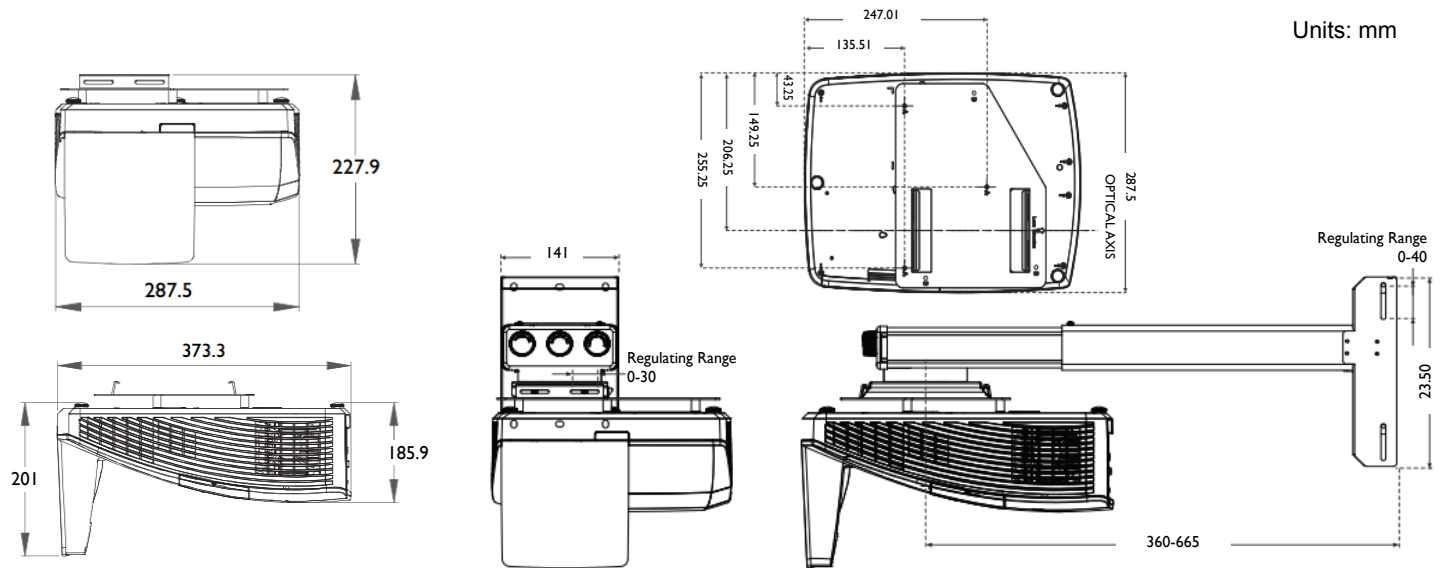
MW853UST+ Digital Projector

Distance Chart



| WXGA | | | | | | | | | | | |
|------------------------|------|-----------------------|------|------------------------|------|-------------------------|-------|------------|-------|-----------------|---|
| Screen size (Diagonal) | | Screen size Width (W) | | Screen size Height (h) | | Projection distance (D) | | Offset (H) | | Scale parameter | Distance between Wall plate & projection screen (V) |
| inch | mm | inch | mm | inch | mm | inch | mm | inch | mm | inch | |
| 80 | 2032 | 67 | 1723 | 42 | 1077 | 11.11 | 282.3 | 11.81 | 300 | 495 | 274.7 |
| 85 | 2159 | 71 | 1831 | 45 | 1144 | 12.73 | 323.3 | 12.37 | 314.3 | 535 | 289 |
| 87 | 2210 | 73 | 1874 | 46 | 1171 | 13.40 | 340.3 | 12.61 | 320.2 | 555 | 294.9 |
| 90 | 2286 | 76 | 1939 | 47 | 1212 | 14.38 | 365.3 | 12.95 | 328.9 | 580 | 303.6 |
| 92 | 2337 | 77 | 1982 | 48 | 1239 | 15.01 | 381.3 | 13.17 | 334.4 | 600 | 309.1 |
| 95 | 2413 | 80 | 2046 | 50 | 1279 | 15.98 | 405.8 | 13.50 | 343 | 625 | 317.7 |
| 97 | 2464 | 81 | 2089 | 51 | 1306 | 16.65 | 422.8 | 13.74 | 348.9 | 645 | 323.6 |
| 100 | 2540 | 85 | 2154 | 53 | 1346 | 17.55 | 445.8 | 14.05 | 356.9 | 665 | 331.6 |

Ceiling Mount Chart



Dimensions



Because it matters