



More information on the website
radwag.com/en/info,w1,253

MWLH 10 Electromagnetic Compensation Weighing Module



Datasheet

Metrological parameters	
Maximum capacity [Max]	10 kg
Minimum load	0,5 g
Preload range	1 kg
Readability [d]	0,01 g
Tare range	-10 kg
Repeatability	0,01 g
Linearity	±0,02 g
Stabilization time	3 s
Adjustment	external
Protection class	IP 65
Electrical parameters	
Power supply	100-240 V AC 50/60 Hz
Environmental conditions	
Operating temperature	+10 ÷ +40 °C

Environmental conditions

Relative humidity 15% ÷ 80%

Physical parameters

Weighing pan dimensions 212×174 mm

Device dimensions 341×236×164 mm

Packaging dimensions 580×413×360 mm



Accessories

RS 232 cables (scale - Ethernet)
Power Adapters
RS 232, RS 485 cables

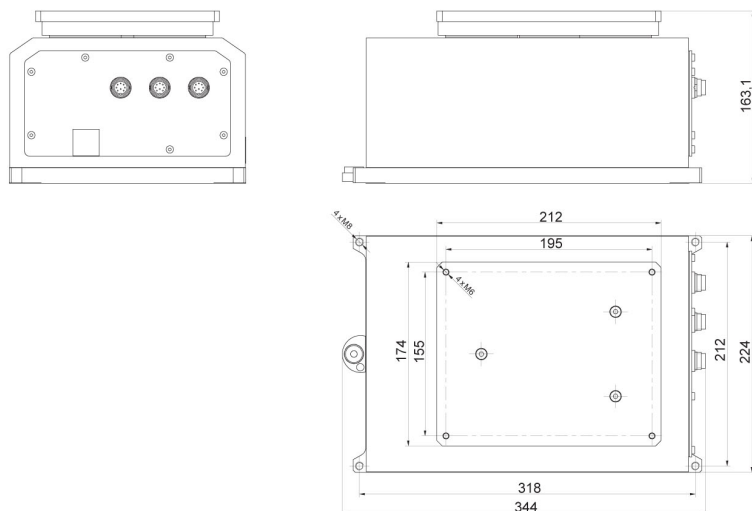
RS 232 – USB Converter
IN/OUT Cables

Software

MWMH Manager
LabVIEW Driver
RADWAG Development Studio

RAD-KEY
R-LAB

Device dimensions



[MWLH](#)



More information on the website
radwag.com/en/info,w1,NYV

MWLH 25 Electromagnetic Compensation Weighing Module



Datasheet

Metrological parameters	
Maximum capacity [Max]	25 kg
Minimum load	5 g
Preload range	2,5 kg
Readability [d]	0,1 g
Tare range	-25 kg
Repeatability	0,1 g
Linearity	±0,1 g
Stabilization time	2 s
Adjustment	external
Protection class	IP 65
Electrical parameters	
Power supply	100-240 V AC 50/60 Hz
Environmental conditions	
Operating temperature	+10 ÷ +40 °C

Environmental conditions

Relative humidity 15% ÷ 80%

Physical parameters

Weighing pan dimensions 212×174 mm

Device dimensions 341×236×164 mm

Packaging dimensions 580×413×360 mm



Accessories

RS 232 cables (scale - Ethernet)
Power Adapters
RS 232, RS 485 cables

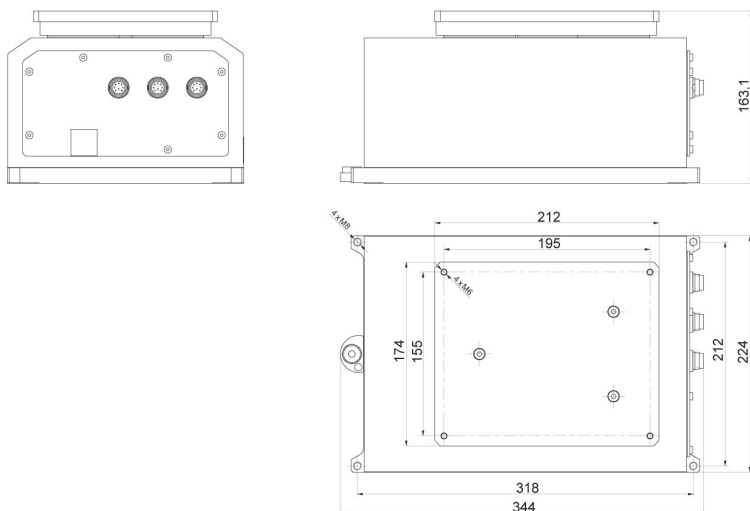
RS 232 – USB Converter
IN/OUT Cables

Software

MWMH Manager
LabVIEW Driver
RADWAG Development Studio

RAD-KEY
R-LAB

Device dimensions



[MWLH](#)



More information on the website
radwag.com/en/info,w1,6RX

MWLH 30 Electromagnetic Compensation Weighing Module



Datasheet

Metrological parameters	
Maximum capacity [Max]	30 kg
Minimum load	5 g
Preload range	3 kg
Readability [d]	0,1 g
Tare range	-30 kg
Repeatability	0,1 g
Linearity	±0,3 g
Stabilization time	2 s
Adjustment	external
Protection class	IP 65
Electrical parameters	
Power supply	100-240 V AC 50/60 Hz
Environmental conditions	
Operating temperature	+10 ÷ +40 °C

Environmental conditions

Relative humidity 15% ÷ 80%

Physical parameters

Weighing pan dimensions 212×174 mm

Device dimensions 341×236×164 mm

Packaging dimensions 580×413×360 mm



Accessories

RS 232 cables (scale - Ethernet)
Power Adapters
RS 232, RS 485 cables

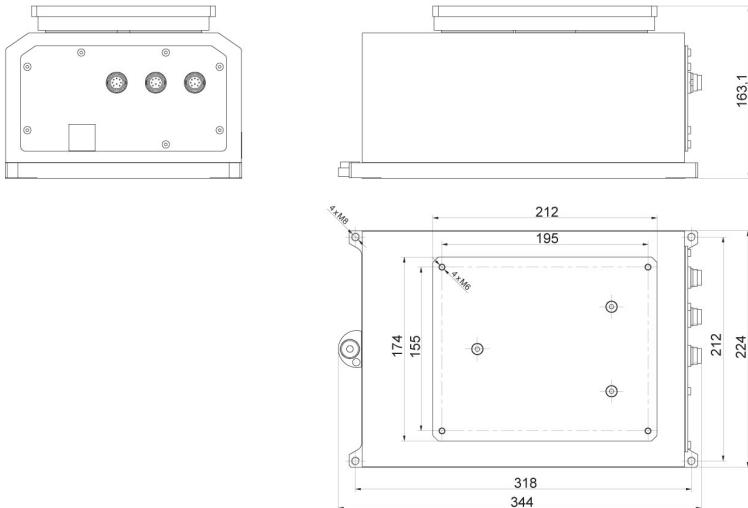
RS 232 – USB Converter
IN/OUT Cables

Software

MWMH Manager
LabVIEW Driver
RADWAG Development Studio

RAD-KEY
R-LAB

Device dimensions



[MWLH](#)



More information on the website
radwag.com/en/info,w1,P11

MWLH 35 Electromagnetic Compensation Weighing Module



Datasheet

Metrological parameters	
Maximum capacity [Max]	35 kg
Minimum load	5 g
Preload range	3,5 kg
Readability [d]	0,1 g
Tare range	-35 kg
Repeatability	0,1 g
Linearity	±0,3 g
Stabilization time	2 s
Adjustment	external
Protection class	IP 65
Electrical parameters	
Power supply	100-240 V AC 50/60 Hz
Environmental conditions	
Operating temperature	+10 ÷ +40 °C

Environmental conditions

Relative humidity 15% ÷ 80%

Physical parameters

Weighing pan dimensions 212×174 mm

Device dimensions 341×236×164 mm

Packaging dimensions 580×413×360 mm



Accessories

RS 232 cables (scale - Ethernet)
Power Adapters
RS 232, RS 485 cables

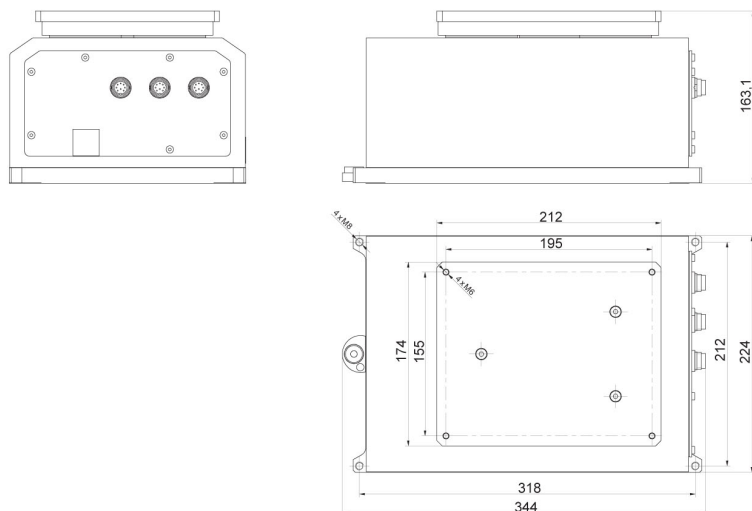
RS 232 – USB Converter
IN/OUT Cables

Software

MWMH Manager
LabVIEW Driver
RADWAG Development Studio

RAD-KEY
R-LAB

Device dimensions



[MWLH](#)