

DIGITAL PROJECTOR

MX518



Features

- Native XGA Resolution (1024x768)
- 2800 ANSI Lumens; 13,000:1 Contrast Ratio
- SmartEco™ Power Saving Technology
- Up to 6500 Hours Long Lamp Life
- Instant Restart & HDMI
- Various 3D Format for Entertainment



Input and Output Terminals



- | | |
|----------------------------|-----------------------------|
| 1 Audio In 1&2 (Mini Jack) | 6 Computer-2 (D-sub 15pin) |
| 2 Audio Out (Mini Jack) | 7 Monitor Out (D-sub 15pin) |
| 3 S-Video (Mini DIN 4-pin) | 8 HDMI |
| 4 Video Out (RCA Jack) | 9 RS232 (DB-9pin) |
| 5 Computer-1 (D-sub 15pin) | 10 USB (Mini-B) |

Specifications

Projection System	DLP
Native Resolution	XGA (1024 x 768)
Brightness	2800AL
Contrast Ratio	13,000:1
Display Color	1.07 Billion Colors
Lens	F=2.51~2.69 f=21.95mm~24.18mm
Aspect Ratio	Native 4:3 (5 aspect ratio selectable)
Throw Ratio	1.97-2.17 (50" @ 2m)
Image Size Diagonal	37"~300"
Zoom Ratio	1.1:1
Lamp Type	190W
Lamp Life*	4500/6000/6500 hours
Keystone Adjustment	1D, Vertical +/- 40 degrees
Projection Offset	130% ±5%
Resolution Support	VGA(640 x 480) to UXGA(1600 x 1200)
Horizontal Frequency	15~102KHz
Vertical Scan Rate	23~120Hz
Compatibility	HDTV Compatibility: 480i, 480p, 576i, 576p, 720p, 1080i, 1080p Video Compatibility: NTSC, PAL, SECAM
Interface	Computer In (D-Sub 15pin) x2 (shared with Component) Monitor Out (D-Sub 15 pin) x1 Composite Video In (RCA) x1 S-Video In (Mini DIN 4pin) x1 HDMI x 1 Audio In (Mini Jack) x2 Audio Out (Mini Jack) x1 Speaker 2W x1 USB (Type B) x1 (Download & page up/down) RS232 (DB-9Pin) x1 IR Receiver x 1 (Front)
Dimensions (WxHxD)	11.9 x 4.4 x 8.7 inch
Weight	5.06 lbs (2.3kg)
Power Supply	AC100 to 240 V, 50 to 60 Hz
Power Consumption	245W (typical), Standby<0.5W
Audible Noise	32/30 dBA (Normal/Economic mode)
On-Screen Display Languages	Arabic/Bulgarian/ Croatian/ Czech/ Danish/ Dutch/ English/ Finnish/ French/ German/ Greek/ Hindi/ Hungarian/ Italian/ Indonesian/ Japanese/ Korean/ Norwegian/ Polish/ Portuguese/ Romanian/ Russian/ Simplified Chinese/Spanish/ Swedish/ Turkish/ Thai/ Traditional Chinese (28 Languages)
Picture Mode	Dynamic/Presentation/sRGB/Cinema/User 1/User 2
Accessories (Standard)	Lens Cover, Remote Control w/ Battery, Power Cord (by region) User Manual CD, Quick Start Guide, Warranty Card (by region) VGA(D-sub 15pin) Cable
Accessories (Optional)	Spare Lamp Kit 5J.J6L05.001 Ceiling Mount 5J.J4N10.001 3D Glasses 5J.J7K25.001 Carry bag 5J.J4R09.001
UPC Code	8400460-2531-1
Limited Warranty	1 year parts & labor; 180 days / 500 hours of lamp life

*Lamp life results will vary depending on environmental conditions and usage. Actual product's features and specifications are subject to change without notice.



MX518 12-11-12-BQus



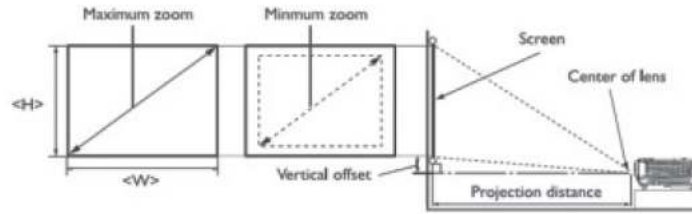
BenQ America Corp.
15375 Barranca Parkway, Suite A-205, Irvine, CA 92618 • Tel: (949) 255-9500 • www.BenQ.us

BenQ is a registered trademark of BenQ Corp. DLP is a registered trademark of Texas Instruments. All rights reserved.
Product names, logos, brands, and other trademarks featured or referred to in this materials are the property of their respective trademark holders.
Specifications subject to change without notice.



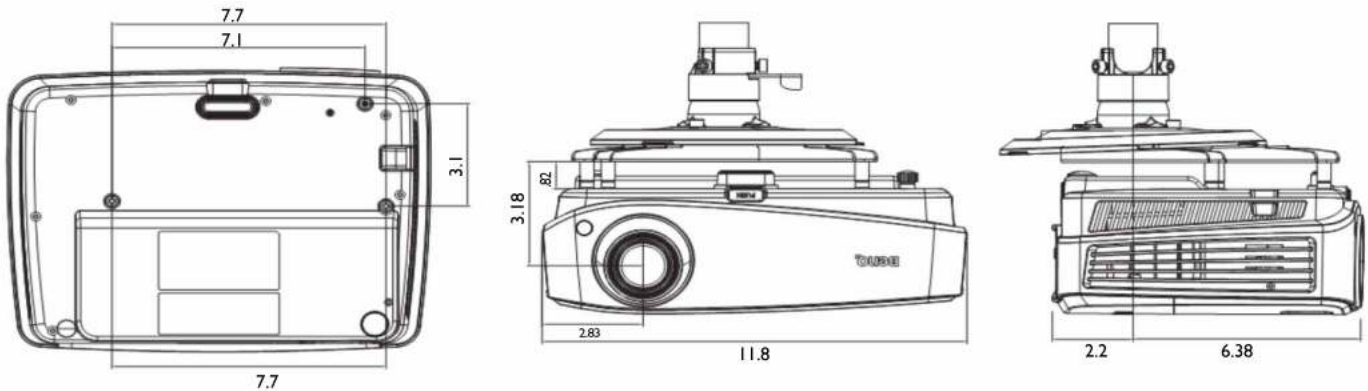
MX518 Digital Projector

Distance Chart



Screen Size				Distance from screen (inch)			Vertical offset (inch)
Diagonal		W (inch)	H (inch)	Min length (Max zoom)	Average	Max length (Min. zoom)	
30	762	24	18	47.2	49.6	51.9	2.7
40	1016	32	24	62.9	66.1	69.2	3.5
50	1270	40	30	78.7	82.6	86.6	4.4
60	1524	48	36	94.4	99.2	103.9	5.3
80	2032	64	48	125.9	132.2	138.5	7.2
100	2540	80	60	157.4	165.3	173.2	9.0
120	3048	96	72	188.9	198.4	207.8	10.7
150	3810	120	90	236.2	248.0	259.8	13.5
200	5080	160	120	314.9	330.7	346.4	17.9
220	5588	176	132	346.4	363.7	381.1	19.8
250	6350	200	150	393.7	413.3	433.0	22.5
300	7320	240	180	472.4	496.0	519.6	27.0

Ceiling Mount Chart



Units: inch

Dimensions



Touchboards

205 Westwood Ave, Long Branch, NJ 07740
 Phone: 866-94 BOARDS (26273) / (732)-222-1511
 Fax: (732)-222-7088 | E-mail: sales@touchboards.com

