

DIGITAL PROJECTOR | MX722



Features

- Native XGA (1024 x 768) Resolution
- 4,000 ANSI Lumens, 5,300:1 Contrast Ratio
- Various 3D Format Support, Instant Restart
- Built-in speakers (10W x 2), Eco Blank
- LAN control and LAN display function



Input and Output Terminals



- | | |
|-----------------------------------|------------------------------|
| 1 LAN (RJ45) | 7 S-Video In (Mini DIN 4pin) |
| 2 USB (Type Mini B) | 8 Audio In L/R (RCA) |
| 3 RS232 (DB-9pin) | 9 Audio In 1 & 2 (Mini Jack) |
| 4 HDMI | 10 Audio In (Mini Jack) |
| 5 Monitor Out (D-sub 15pin) | 11 Composite Video in (RCA) |
| 6 Computer In 1 & 2 (D-sub 15pin) | 12 DC 12V Trigger |
| | 13 Microphone |

Specifications

Projection System	DLP®	
Native Resolution	XGA(1024x768)	
Brightness	4,000AL	
Contrast Ratio	5,300:1	
Display Color	1.07 Billion Colors	
Lens	F2.59-2.87, f=16.88-21.88mm	
Aspect Ratio	Native 4:3 (5 aspect ratio selectable)	
Throw Ratio	1.51-1.97(65"@ 2m)	
Image Size (Diagonal)	25"-261"	
Zoom Ratio	1.3:1	
Lamp Type	300W	
Lamp Life	2000/3000/NA hours	
Keystone Adjustment	1D, Vertical +/- 40 degrees	
Projection Offset	115%±5%	
Resolution Support	VGA(640 x 480) to UXGA(1600 x 1200)	
Horizontal Frequency	27-102KHz	
Vertical Scan Rate	23-120Hz	
Compatibility	HDTV Compatibility: 480i, 480p, 576i, 576p, 720p, 1080i, 1080p Video Compatibility: NTSC, PAL, SECAM	
Interface	Computer in (D-sub 15pin)	x 2(Share with component)
	Monitor out (D-sub 15pin)	x 1
	Composite Video in (RCA)	x 1
	S-Video in (Mini DIN 4pin)	x 1
	HDMI	x 1
	Audio in (Mini Jack)	x 2
	Audio in (L/R)	x 1
	Audio out (Mini Jack)	x 1
	Microphone in (Mini Jack)	x 1
	Speaker	10W x 2
	USB (Type mini B)	x 1 (Download & page/down)
	RJ45	x 1 (LAN Control & LAN Display)
	RS232 (DB-9pin)	x 1
	DC 12V Trigger (3.5mm Jack)	x 1
	IR Receiver	x 2
Dimensions (WxHxD)	13.3" x 4.7" x 9.4"	
Weight	8.14lbs (3.7kg)	
Power Supply	AC100 to 240V, 3.5A, 50 to 60 Hz	
Power Consumption	398W(Max), Standby<0.5W	
Audible Noise	36/32 dBA (Normal/Economic mode)	
On-Screen Display Languages	Arabic/Bulgarian/ Croatian/ Czech/ Danish/ Dutch/ English/ Finnish/ French/ German/ Greek/ Hindi/ Hungarian/ Italian/ Indonesian/ Japanese/ Korean/ Norwegian/ Polish/ Portuguese/ Romanian/ Russian/ Simplified Chinese/Spanish/ Swedish/ Turkish/ Thai/ Traditional Chinese (28 Languages)	
Picture Modes	Dynamic/Presentation/sRGB/Cinema/User 1/User 2	
Accessories (Standard)	Lens Cover, Remote Control w/ Battery, Power Cord, User Manual CD, Quick Start Guide, Warranty Card, Carry bag, VGA(D-sub 15pin) Cable	
Accessories (Optional)	Spare Lamp Kit	P/N: 5J.J6N05.001
	Ceiling Mount	P/N: 5J.J4N10.001
	3D Glasses	P/N: 5J.J7K25.001
Limited Warranty	3-Year Parts & Labor / 1-Year or 2000 hours of lamp life	
UPC Code	8400460-2495-6	

*Lamp life results will vary depending on environmental conditions and usage. Actual product's features and specifications are subject to change without notice.



MX722 01-14-13-BQus



BenQ America Corp.
15375 Barranca Parkway, Suite A-205, Irvine, CA 92618 ☎ Tel: (949) 255-9500 🌐 www.BenQ.us

BenQ is a registered trademark of BenQ Corp. DLP® is a registered trademark of Texas Instruments. All rights reserved.
Product names, logos, brands, and other trademarks featured or referred to in this materials are the property of their respective trademark holders.
Specifications subject to change without notice.

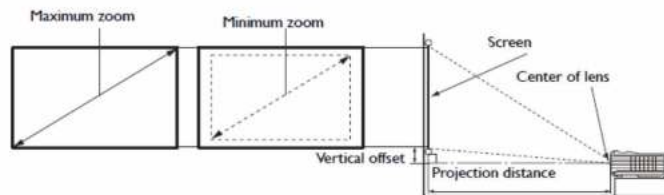


MX722 Digital Projector

Distance Chart

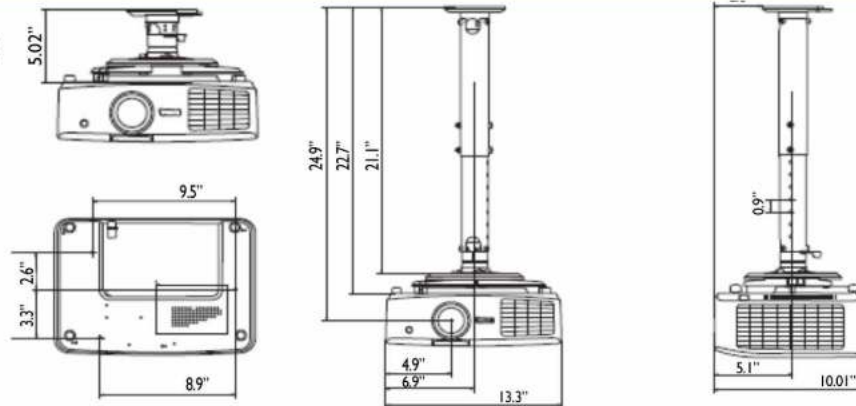
Screen Size				Distance from screen (inch)			Vertical offset (inch)
Diagonal		W (inch)	H (inch)	Min length	Average	Min length	
Inch	mm			(Max zoom)		(Max zoom)	
40	1016	32	24	48.5	55.7	62.9	1.81
50	1270	40	30	60.5	30.2	78.7	2.2
60	1524	48	36	72.6	83.9	94.4	2.7
70	1778	56	42	84.8	97.5	110.2	3.1
80	2032	64	48	96.9	111.4	125.9	3.5
90	2286	72	54	109.0	125.3	141.7	4.1
100	2540	80	60	121.1	139.2	157.4	4.4
120	3048	96	72	145.3	167.1	188.9	5.4
150	3810	120	90	181.7	208.9	236.2	6.7
200	5080	160	120	242.3	278.6	314.9	9.1
250	6350	200	150	302.8	348.2	393.7	11.3
300	7620	240	180	363.4	417.9	472.4	13.5

The screen aspect ratio is 4:3 and the projected picture is 4:3



Wall Mount Chart

Ceiling Mount screw: M4
(Max L = 25 mm; Min L = 20 mm)



Unit: inch

Dimensions



Touchboards

205 Westwood Ave, Long Branch, NJ 07740
Phone: 866-94 BOARDS (26273) / (732)-222-1511
Fax: (732)-222-7088 | E-mail: sales@touchboards.com

