

DIGITAL
PROJECTOR

MX768

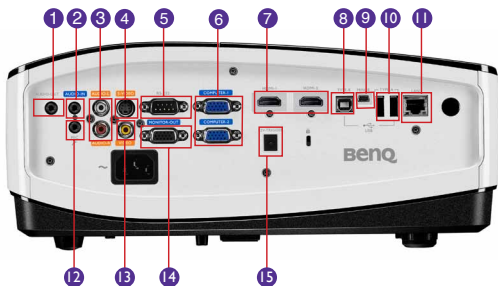


Features

- Native XGA (1024 x 768) Resolution
- 4,000 ANSI Lumens, 13,000:1 High Contrast Ratio
- SmartEco™ Power Saving Technology
- Full 3D Ready and nVidia 3DTV Play
- Big Zoom Ratio: 1.6x
- Wireless Display



Input and Output Terminals



- | | |
|-----------------------------------|------------------------------|
| 1 Audio out (Mini Jack) | 9 USB (Type Mini B) |
| 2 Audio in (Mini Jack) | 10 USB (Type A) x 2 |
| 3 Audio in (L/R) | 11 LAN |
| 4 S-Video In (Mini DIN 4pin) | 12 Microphone in (Mini jack) |
| 5 RS232 (DB-9pin) | 13 Composite Video in (RCA) |
| 6 Computer in 1 & 2 (D-sub 15pin) | 14 Monitor Out (D-sub 15pin) |
| 7 HDMI x 2 | 15 DC 12V Trigger |
| 8 USB (Type B) | |



Specifications

Projection System	DLP®
Native Resolution	XGA (1024x768)
Brightness	4000 ANSI Lumen
Contrast Ratio	13000:1
Display Color	1.07 Billion Colors
Lens	F=2.58~3.24, f=15.94~25.5mm
Aspect Ratio	Native 4:3 (5 aspect ratio selectable)
Throw Ratio	1.39~2.26
Image Size (Diagonal)	33" ~ 300"
Zoom Ratio	1.6x
Lamp Type	310W
Lamp (Normal/Economic Mode)*	2500/3000/3500 hours
Keystone Adjustment	2D, V +/- 30 degree, H +/- 25 degree
Projection Offset	Vertical: 130% ±5%
Resolution Support	VGA(640 x 480) to UXGA(1600 x 1200)
Horizontal Frequency	15K-102KHz
Vertical Scan Rate	23-120Hz
Compatibility	HDTV Compatibility: 480i, 480p, 576i, 576p, 720p, 1080i, 1080p Video Compatibility: NTSC, PAL, SECAM, 3D Compatibility: Frame Sequential: Up to 60Hz 720p Frame Packing: Up to 24 Hz 1080p Side by Side: Up to 24Hz 1080p Top Bottom: Up to 60Hz 1080p
Interface	Computer in (D-sub 15pin) x 2 HDMI x 2 Monitor out x 1 Composite Video in (RCA) x 1 S-Video in x 1 Audio in (Mini Jack) x 1 Audio in (L/R) x 1 Microphone in (Mini jack) x 1 Audio out (Mini Jack) x 1 Speaker 20W x 1 LAN (RJ-45) x 1 USB (Type A) x 2 USB (Type B) x 1 USB (Type Mini B) x 1 DC 12V Trigger (3.5mm Jack) x 1 RS232 (DB-9pin) x 1 IR Receiver x 2 (Front + Rear)
Dimensions (WxHxD)	12.9" x 5.4" x 10.1"
Weight	8.6 lbs (3.9 Kg)
Power Supply	AC100 to 240V, 4.2A, 50 to 60 Hz
Power Consumption	400W(Normal), 340W(Eco), Standby<0.5W
Audible Noise	36/34 dBA (Normal/Economic mode)
Languages	Arabic/Bulgarian/ Croatian/ Czech/ Danish/ Dutch/ English/ Finnish/ French/ German/ Greek/ Hindi/ Hungarian/ Italian/ Indonesian/ Japanese/ Korean/ Norwegian/ Polish/ Portuguese/ Romanian/ Russian/ Simplified Chinese/Spanish/ Swedish/ Turkish/ Thai/ Traditional Chinese (28 Languages)
Picture Mode	Dynamic/Presentation/sRGB/Cinema/(3D)/User 1/User 2
Accessories (Standard)	Remote Control w/ Battery, Power Cord, User Manual CD, QSG, Warranty Card, VGA Cable, Lens Cover, Carry Bag
Accessories (Optional)	Spare Lamp Kit P/N: 5J.JA905.001 Ceiling Mount Kit P/N: 5J.J4N10.001 Remote P/N: 5J.JA606.001 Wireless Dongle WDRT8192 P/N:5J.J3F28.A01
UPC / Part #	8400460-2894-7 / 9H.JA977.34A
Limited Warranty	3 Years Parts/Labor or 2,000 hours of lamp life.

*Lamp life results will vary depending on environmental conditions and usage. Actual product's features and specifications are subject to change without notice.

MX768 02-04-14-BQus



BenQ America Corp.
www.BenQ.us

BenQ is a registered trademark of BenQ Corp. DLP is a registered trademark of Texas Instruments. All rights reserved. Product names, logos, brands, and other trademarks featured or referred to in this materials are the property of their respective trademark holders. Specifications subject to change without notice.

Touchboards

205 Westwood Ave, Long Branch, NJ 07740
Phone: 866-94 BOARDS (26273) / (732)-222-1511
Fax: (732)-222-7088 | E-mail: sales@touchboards.com

BenQ

Because it matters

MX768 Digital Projector

Distance Chart

Ceiling Installation

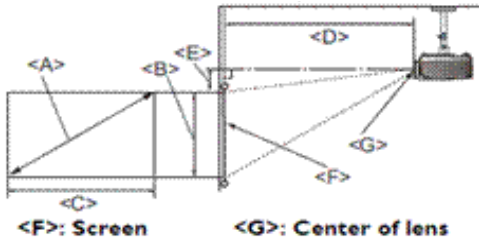
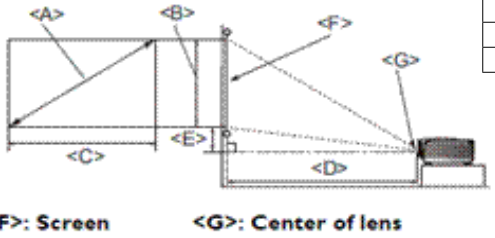


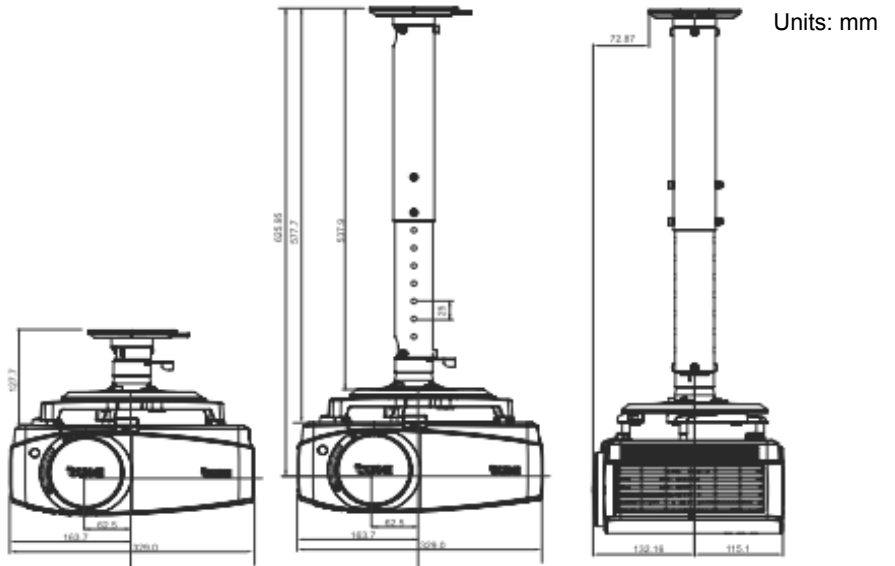
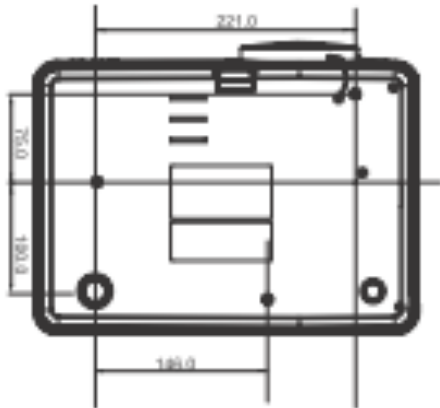
Image Size				Distance from Screen (mm)			Offset (mm)
Diagonal	Width	Height	Min Length	Average	Max Length		
Inch	mm	(mm)	(mm)	(max. zoom)		(min. zoom)	
30	762	24	18	33.3	43.8	54.2	2.7
40	1016	32	24	44.4	58.3	72.3	3.5
60	1524	48	36	66.7	87.5	108.4	5.3
80	2032	64	48	98.3	122.7	147.2	5.3
100	2540	85	53	122.9	153.5	184.0	6.6
120	3048	96	72	133.4	175.2	216.9	10.7
150	3810	120	90	166.8	217.9	271.1	13.5
200	5080	160	120	222.4	292.0	361.6	17.9
250	6350	200	150	277.9	365.0	452.0	22.5
300	7620	240	180	333.5	437.9	542.4	27.0

Floor Installation

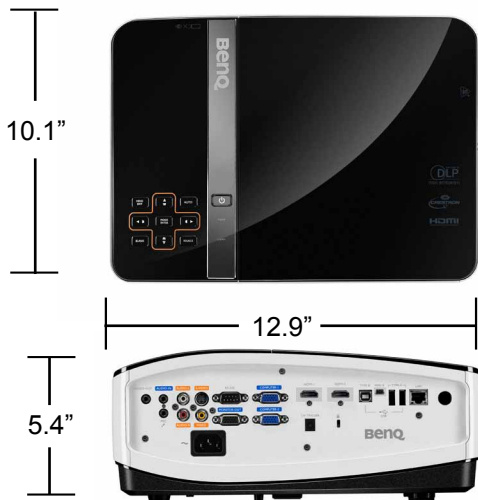


Ceiling Mount Chart

Ceiling Mount Screws: M4
(Max. L = 25 mm; Min L + 20mm)



Dimensions



Units: inch

