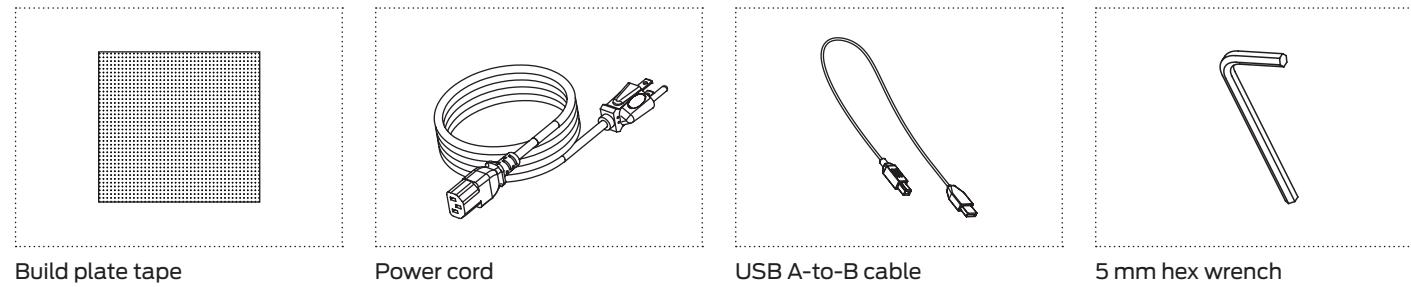
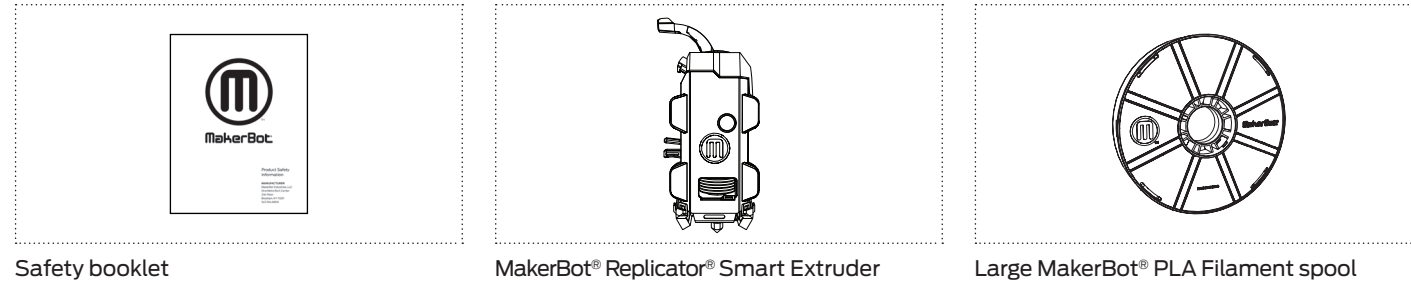
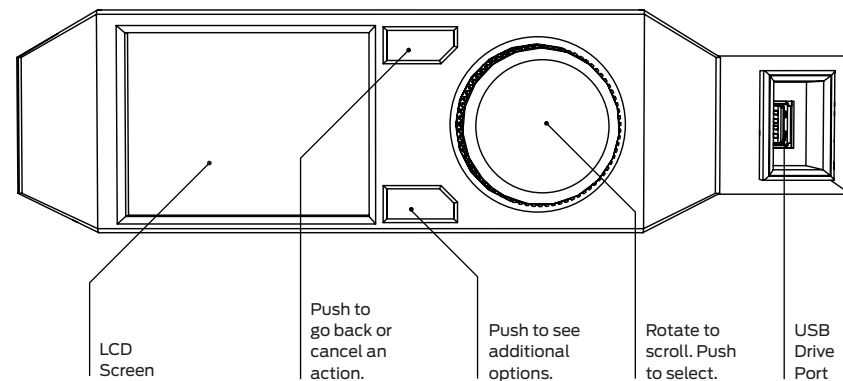


ACCESSORY CHECKLIST



GETTING TO KNOW THE CONTROL PANEL



MAKERBOT DESKTOP

To prepare files for your MakerBot Replicator Z18 to print, you'll need the MakerBot Desktop app.

DOWNLOAD

Go to makerbot.com/desktop to download the software for free.

INSTALL

Open and run the MakerBot Desktop installer

OPEN

Start up MakerBot Desktop and choose how you will connect to your MakerBot Replicator Z18. The app will guide you through the rest of the setup process.

DOWNLOAD THE USER MANUAL

For more in-depth information on setting up and using your MakerBot Replicator Z18 3D Printer, download the full MakerBot Replicator Z18 User Manual online. Available languages include English, French, German, Spanish and Japanese.

[w makerbot.com/um_rep_z18](http://makerbot.com/um_rep_z18)

Visit our Support page for more advanced information on the MakerBot Replicator Z18 and MakerBot Desktop.

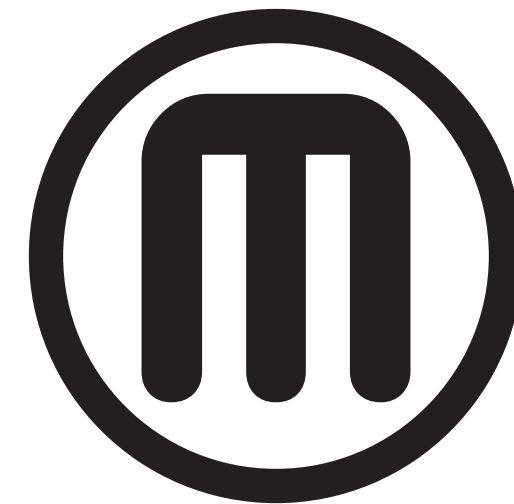
[w makerbot.com/support](http://makerbot.com/support)

SUPPORT

The expert MakerBot Support team is standing by to help you out with any issues you may encounter while using your MakerBot Replicator Z18.

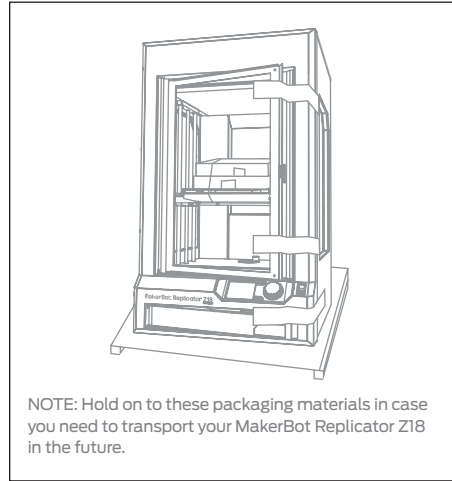
Visit makerbot.com/support/new/support to see an overview of your support options.

The MakerBot Replicator Z18 is covered by a Limited Warranty. For terms and conditions, see makerbot.com/legal

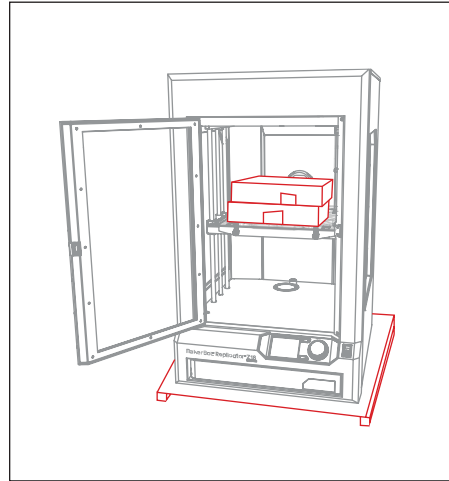


Welcome.

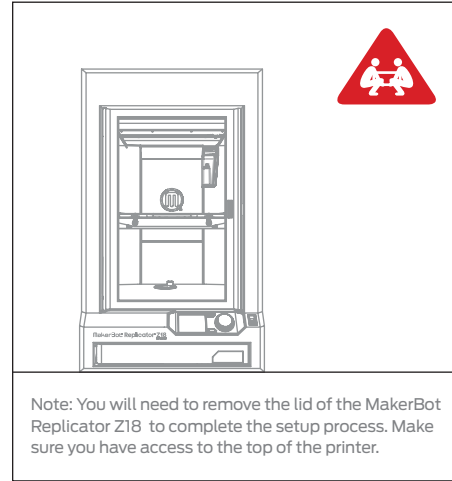
1. Remove packaging materials and protective film



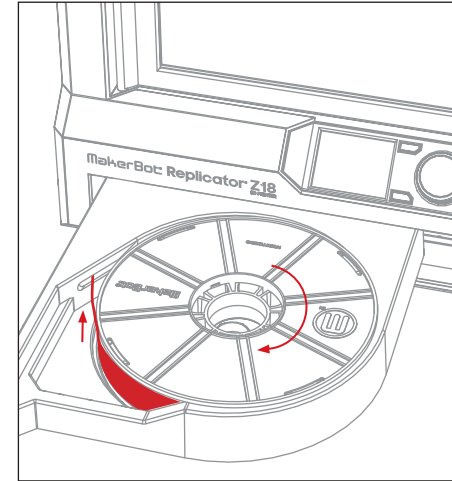
2. Remove filament and accessory box



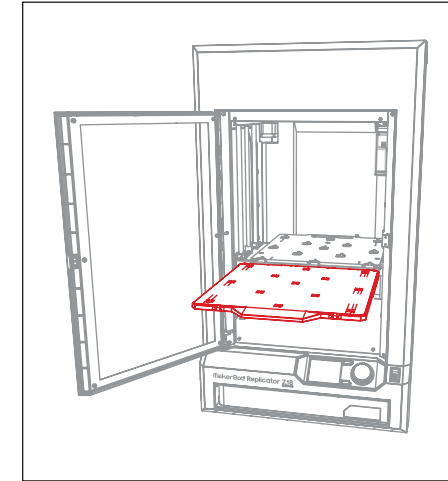
3. Place on a low, stable surface



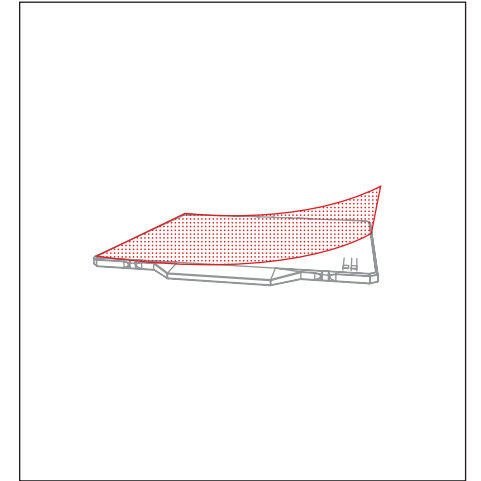
10. Feed filament by hand until it emerges in top compartment



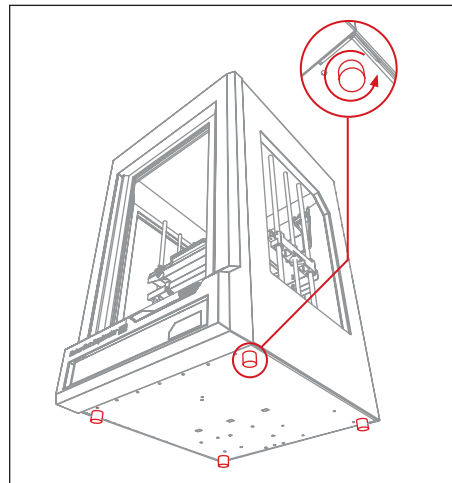
11. Rotate latches and remove build plate



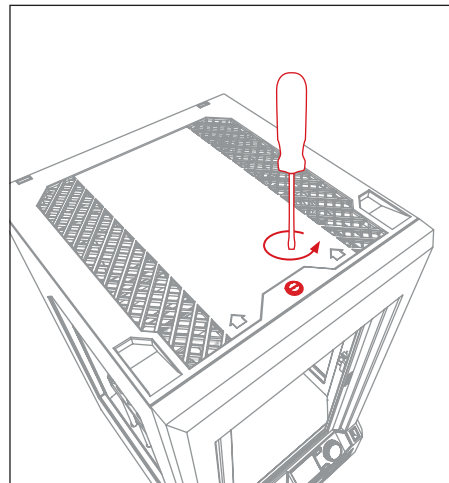
12. Apply tape to build plate



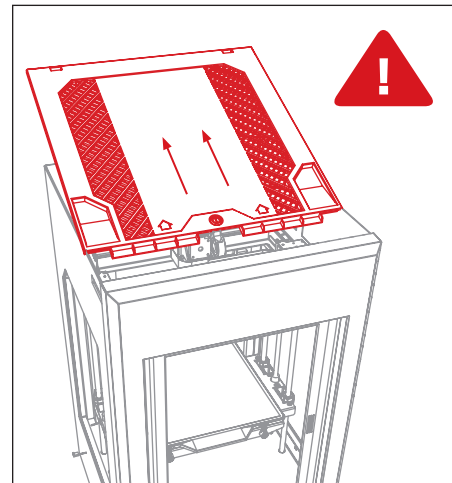
4. Adjust feet for stability



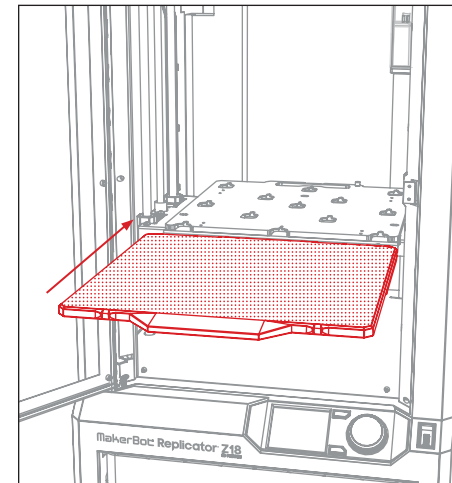
5. Unlock lid



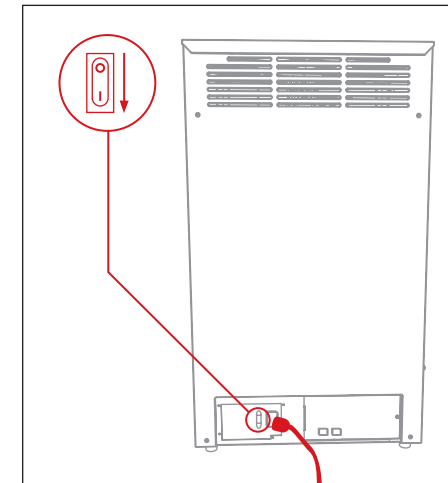
6. Remove lid



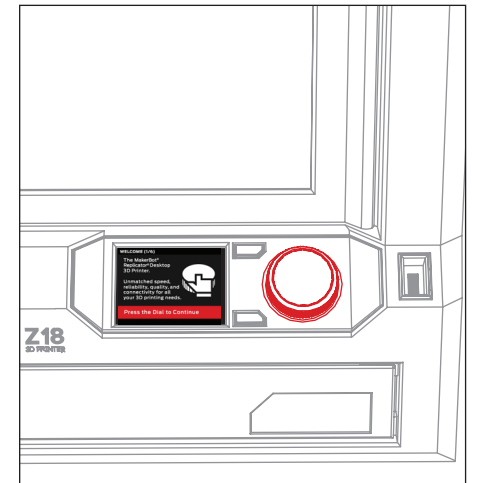
13. Replace build plate



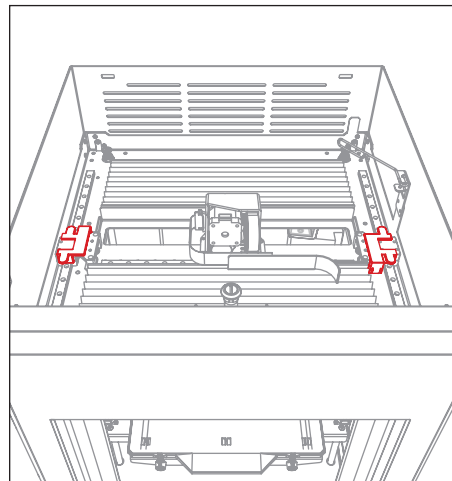
14. Plug in and power on



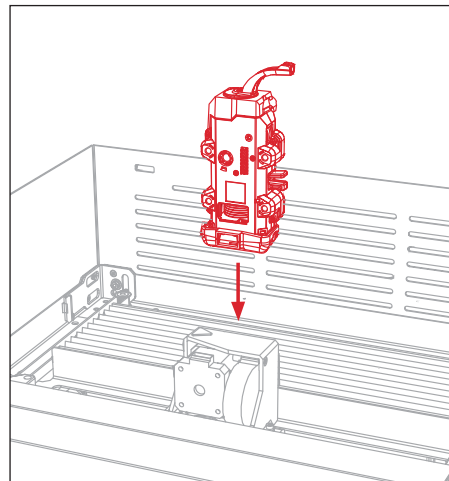
15. Press dial and follow instructions



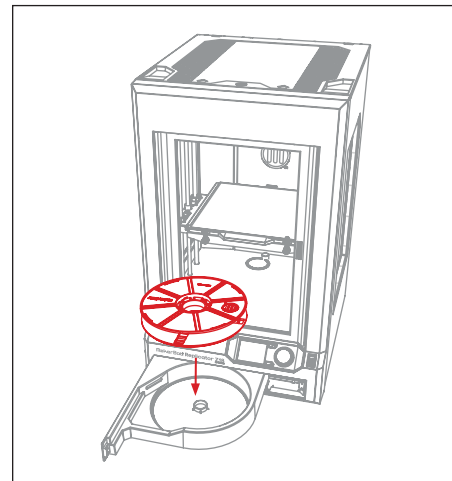
7. Remove gantry clips



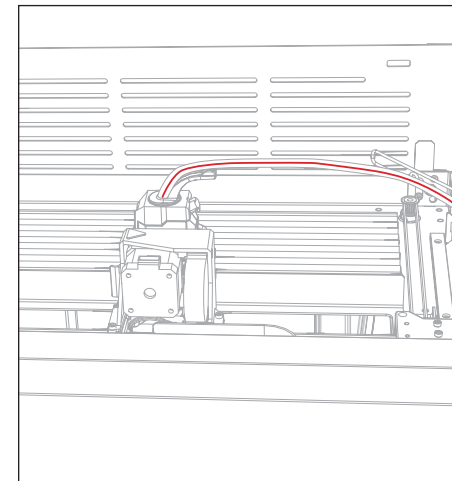
8. Install Smart Extruder



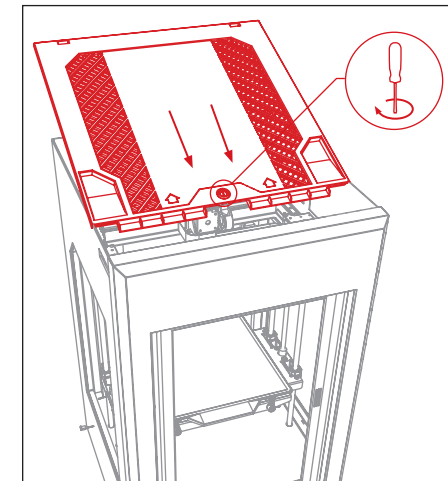
9. Load filament spool



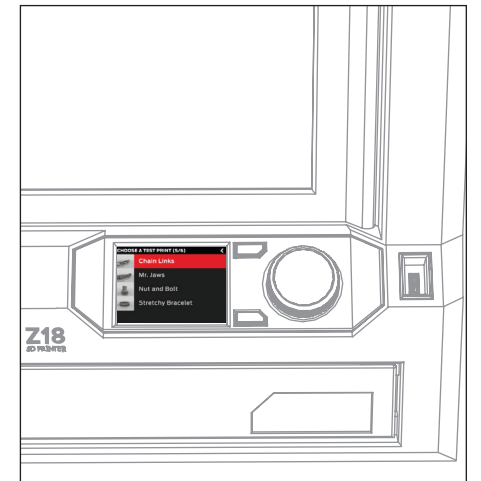
16. Push the filament into the Smart Extruder and snap the guide tube into the filament swivel guide



17. Replace lid



18. Choose a test print



Caution: Two people are required to lift the MakerBot Replicator Z18. Do not lift alone. To prevent injury, lift with your legs, not your back.

Exercise caution when accessing the top compartment, and always keep it locked when your MakerBot Replicator Z18 is in use. It contains hot surfaces and moving parts.