

# Force Test Stands Series **ES**

---

MODEL ES05

## User's Guide

**MARK - 10**®

## ***Thank you!***



Thank you for purchasing a Mark-10 Series ES Force Measurement Test Stand. We are confident that you will get many years of service from this product.

The Model ES05 test stand can be used in various compression testing applications up to 30 lbF (150 N). To maintain smooth mechanical functioning of your test stand, avoid repetitive overloads and shock loads.

We hope that this User's Guide will provide a comprehensive explanation of the test stand's operation. However, if you have any other questions or concerns our engineering and technical support teams will be eager to help you.

## **TABLE OF CONTENTS**

<b>UNPACKING &amp; SETTING UP .....</b>	<b>3</b>
<b>LIST OF INCLUDED ITEMS.....</b>	<b>3</b>
<b>OPERATION.....</b>	<b>4</b>
<b>SPECIFICATIONS.....</b>	<b>5</b>
<b>DIMENSIONS .....</b>	<b>5</b>
<b>WARRANTY .....</b>	<b>5</b>

## UNPACKING AND SETTING UP

- 1 Carefully unpack the stand and inspect for any damage. Inspect the contents to ensure that you have received a test stand complete with all accessories – see **List of Included Items** below.
- 2 Place the stand on a firm, flat and level working surface free from vibration to ensure accurate readings.
3. Save original packaging materials in case future transportation is required.

## LIST OF INCLUDED ITEMS

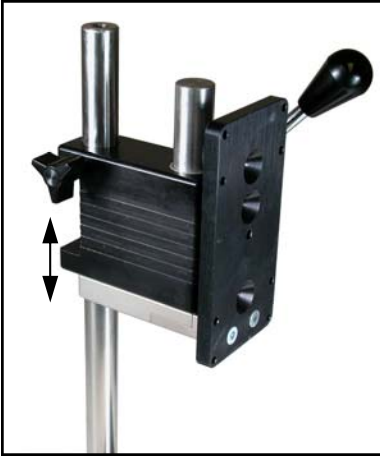
Quantity	Item
1	Force measurement test stand
4	Thumb screws for gauge mounting



### *Optional base plate 14-1068*

Steel base plate has 25 #10-32 thread holes for fixture mounting

## OPERATION



**Fig. 1**  
Lever mechanism can be repositioned along the length of the column.

All Mark-10 force gauges (except Series CG) can be mounted directly to the stand without adapters. Mount the gauge using the thumb screws provided.

The loading mechanism can be repositioned along the length of the column by loosening the wing nut on the left side of the housing, repositioning the mechanism as desired, and tightening the wing nut, as illustrated in Fig. 1.

To initiate a compression test, push down on the lever. Note that the lever is spring loaded. To prevent damage to the ES05, keep your hand on the lever until it returns to its original position.



**Fig. 2**  
Optional base plate can be installed by tightening four screws.

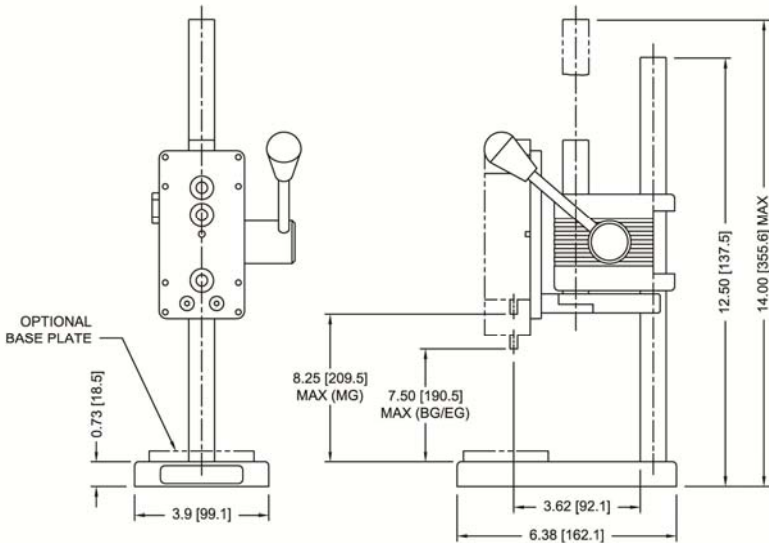
If the optional base plate has been ordered, install it by tightening the four screws provided, as illustrated in Fig. 2.

## SPECIFICATIONS

Load capacity	30 lbF [150 N]
Maximum travel	1.5" [38 mm]
Loading method	Spring-loaded lever
Weight	6 lb [2.7 kg]

## DIMENSIONS

in [mm]



## WARRANTY

Mark-10 Corporation expressly warrants to its buyer for three (3) years from the date of delivery that the goods sold are free from defects in workmanship and materials. Mark-10 Corporation will, at its option, repair or replace or refund the purchase price of goods found to be defective. This remedy shall be the buyer's sole and exclusive remedy. Any modification, abuse, exposure to corrosive environment or use other than intended will void this warranty. This warranty is in lieu of all other warranties, including implied warranties of merchantability and fitness for an intended purpose. In no event shall Mark-10 Corporation be liable for any incidental and consequential damages in connection with goods sold or any part thereof.



*Mark-10 Corporation has been an innovator in the Force and Torque measurement fields since 1979. We strive to achieve 100% customer satisfaction through excellence in product design, manufacturing and customer support. In addition to our standard line of products we can provide modifications and custom designs for OEM applications. Our engineering team is eager to satisfy any special requirements. Please contact us for further information or suggestions for improvement.*



*We make a measurable difference in force and torque measurement*

**Mark-10 Corporation**

11 Dixon Avenue  
Copiague, NY 11726 USA  
1-888-MARK-TEN  
Tel: 631-842-9200  
Fax: 631-842-9201  
Internet: [www.mark-10.com](http://www.mark-10.com)  
Email: [info@mark-10.com](mailto:info@mark-10.com)