

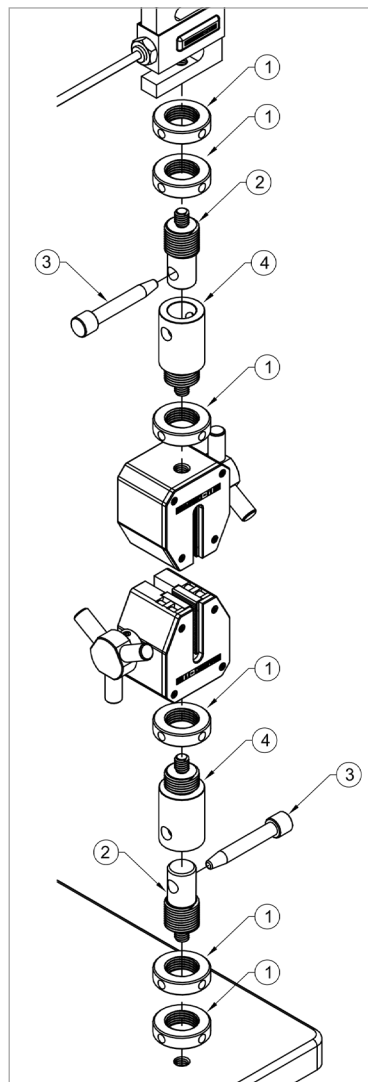


These adapters provide a commonly accepted industry method of attaching fixtures to load cells and test frames. They prevent grip rotation and allow for quick removal and installation.

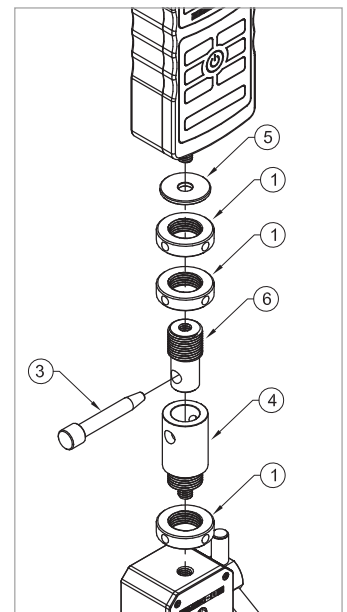
Several thread sizes and variations are available to suit most common test frames, load cells, grips, and force gauges. Eye ends and adapters are available individually or as kits.

◀ Eye end adapter is shown with a wedge grip and motorized test frame.

Load Cell / Test Frame Configuration



Force Gauge Configuration



Item No.	Part No.	Description
1	G1079	Lock ring, 3/4-16
2	G1081	Eye end, #10-32M
	G1081-1	Eye end, 5/16-18M
	G1081-2	Eye end, 1/2-20M
	G1081-3	Eye end, 1/4-28M
3	G1080	Anchor pin
4	G1083	Eye end adapter, #10-32M
	G1083-1	Eye end adapter, 5/16-18M
	G1083-2	Eye end adapter, 1/2-20M
5	G1084	Washer, 0.20 ID
	G1084-1	Washer, 0.32 ID
	G1084-2	Washer, 0.51 ID
6	G1082	Eye end, #10-32F
	G1082-1	Eye end, 5/16-18F
-	G1088	Spanner wrench (see next page)

Kits

Base / Load Cell Adapter Kits



AC1047



AC1047-1



AC1047-2



AC1047-3



AC1047-4

Model No.	Description	Compatibility	Includes
AC1047	Test stand base adapter kit, #10-32M	Test stand bases w/ #10-32 mounting	1x G1081 eye end 1x G1080 anchor pin 2x G1079 lock ring
AC1047-1	Test stand base adapter kit, 5/16-18M	Test stand bases w/ 5/16-18 mounting	1x G1081-1 eye end 1x G1080 anchor pin 2x G1079 lock ring
AC1047-2	Test stand base / force sensor adapter kit, 1/2-20M	Test stand bases w/ 1/2-20 mounting Models MR01-300 / -500 / -750 / -1000 / -1500 / -2000 force sensors Models MR07-300 / -500 / -750 / -1000 / -1500 / -2000 force sensors Models FS06-300 / -500 force sensors	1x G1081-2 eye end 1x G1080 anchor pin 2x G1079 lock ring
AC1047-3	Force sensor adapter kit, 1/4-28M	Models MR01-50 / -100 / -200 force sensors Models MR07-50 / -100 / -200 force sensors Models FS06-50 / -100 / -200 force sensors	1x G1081-3 eye end 1x G1080 anchor pin 2x G1079 lock ring
AC1047-4	Force sensor adapter, Series R03, #10-32M	Series R03 force sensors	1x G1081 eye end 1x G1080 anchor pin 2x G1079 lock ring 1x G1084 washer

Force Gauge Adapter Kits



AC1045



AC1045-1



AC1045-2

Model No.	Description	Compatibility	Includes
AC1045	Force gauge adapter kit, #10-32F	Force gauges up to 100 lbF capacity Models FS05 up to 100 lbF load cells	1x G1082 eye end 1x G1084 washer 2x G1079 lock ring 1x G1080 anchor pin
AC1045-1	Force gauge adapter kit, 5/16-18F	Force gauges with 200, 300, and 500 lbF capacities Models FS05-200/-300/-500 load cells	1x G1082-1 eye end 1x G1084-1 washer 2x G1079 lock ring 1x G1080 anchor pin
AC1045-2	Force gauge adapter kit, 1/2-20M	Models M5-750 - M5-2000 force gauges	1x G1081-2 eye end 1x G1084-2 washer 2x G1079 lock ring 1x G1080 anchor pin

Grip Adapter Kits



AC1046

AC1046-1

AC1046-2

Model No.	Description	Compatibility	Includes
AC1046	Grip adapter kit, #10-32M	Grips with #10-32 mounting	1x G1083 eye end adapter 1x G1079 lock ring
AC1046-1	Grip adapter kit, 5/16-18M	Grips with 5/16-18 mounting	1x G1083-1 eye end adapter 1x G1079 lock ring
AC1046-2	Grip adapter kit, 1/2-20M	Grips with 1/2-20 mounting	1x G1083-2 eye end adapter 1x G1079 lock ring

Grip Adapter Kits for Instron Frames and Load Cells



AC1088-1

AC1088-8

AC1088-9

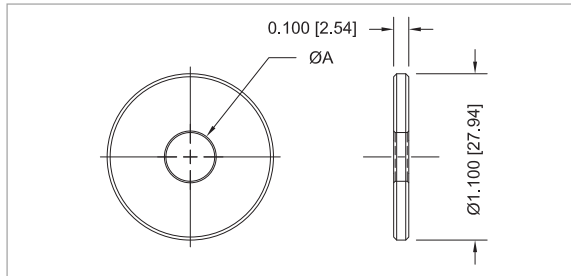
AC1090-1

AC1090-3

Model No.	Description	Compatibility	Includes
AC1088-1	Grip adapter kit, eye end, #10-32M	Mark-10 grips with #10-32 thread to Instron frames and load cells	1x G1083 eye end adapter 2x G1079 lock ring
AC1088-8	Grip adapter kit, eye end, 5/16-18M	Mark-10 grips with 5/16-18 thread to Instron frames and load cells	1x G1083-1 eye end adapter 2x G1079 lock ring
AC1088-9	Grip adapter kit, eye end, 1/2-20M	Mark-10 grips with 1/2-20 thread to Instron frames and load cells	1x G1083-2 eye end adapter 2x G1079 lock ring
AC1090-1	Eye end adapter kit, 0.23" dia.	Mark-10 grips with eye end mounting to Instron frames and load cells	1x G1083-2 eye end adapter 2x G1079 lock ring 1x G1080 anchor pin
AC1090-3	Eye end adapter kit, 0.47" dia.	Mark-10 grips with eye end mounting to Instron frames and load cells	1x G1083-2 eye end adapter 2x G1079 lock ring 1x G1080 anchor pin

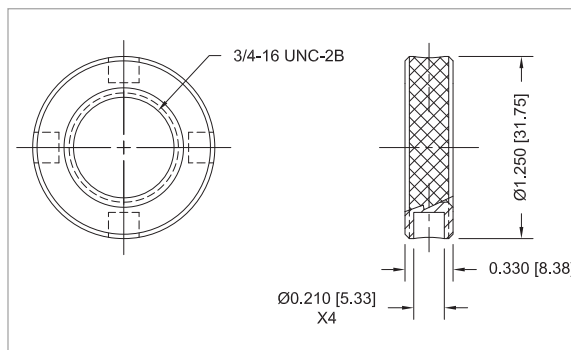
Individual Components

G1084-X Jam Washers



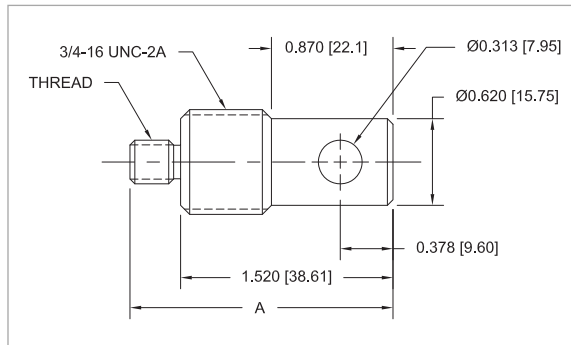
Model No.	ØA	Weight lb [kg]
G1084	0.2 [5.1]	0.03 [0.01]
G1084-1	0.32 [8.2]	0.03 [0.01]
G1084-2	0.51 [12.9]	0.03 [0.01]

G1079 Lock Ring



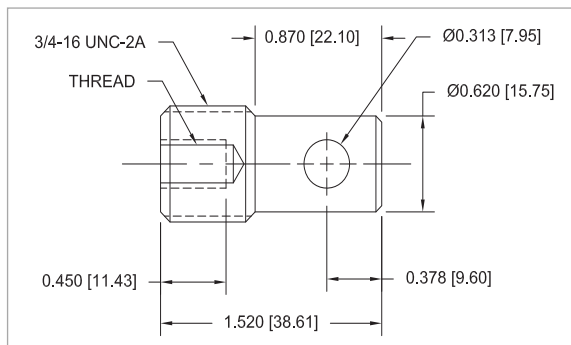
Weight lb [kg]
0.07 [0.03]

G1081-X Eye Ends



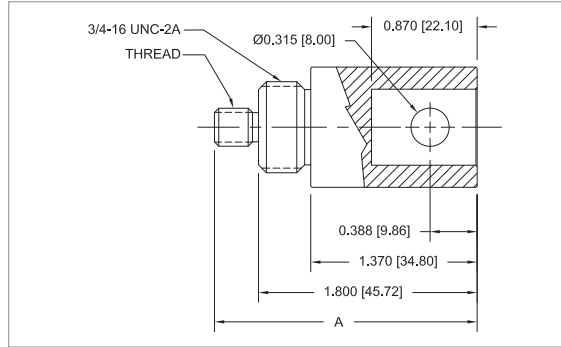
Model No.	A	Thread	Weight lb [kg]	Capacity lbF [kN]
G1081	1.82 [46.2]	#10-32	0.13 [0.06]	200 [1]
G1081-1	1.88 [47.8]	5/16-18	0.14 [0.06]	500 [2.5]
G1081-2	2.02 [51.3]	1/2-20	0.15 [0.07]	2,000 [10]
G1081-3	1.87 [47.5]	1/4-28	0.13 [0.06]	200 [1]

G1082-X Eye Ends



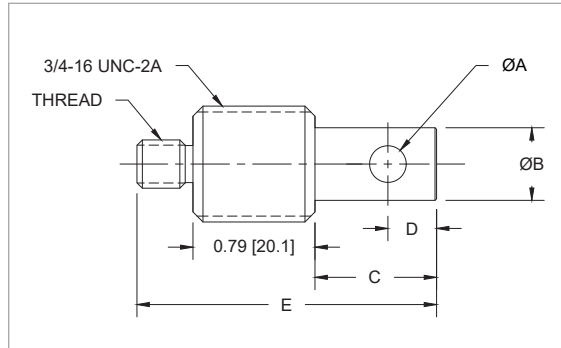
Model No.	Thread	Weight lb [kg]	Capacity lbF [kN]
G1082	#10-32	0.13 [0.06]	200 [1]
G1082-1	5/16-18	0.14 [0.05]	500 [2.5]

G1083-X Eye Ends



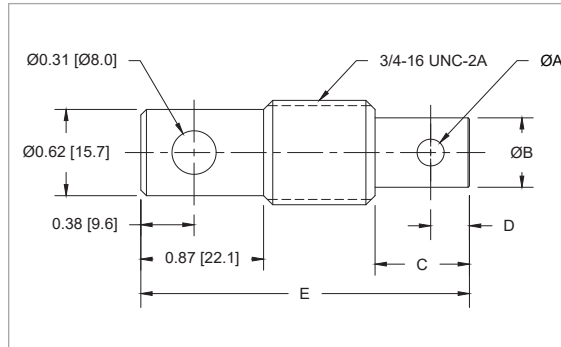
Model No.	A	Thread	Weight lb [kg]	Capacity lbF [kN]
G1083	2.1 [53.3]	#10-32	0.26 [0.12]	200 [1]
G1083-1	2.16 [54.9]	5/16-18	0.26 [0.12]	500 [2.5]
G1083-2	2.30 [58.4]	1/2-20	0.28 [0.13]	2,000 [10]

G1114-X Instron-compatible Eye Ends



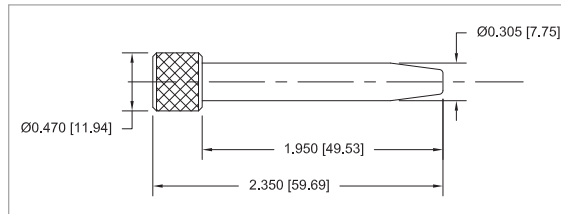
Model No.	ØA	ØB	C	D	E	Th.	Wt. lb [kg]	Cap. lbF [kN]
G1114-1	0.1 [2.6]	0.23 [6.0]	0.51 [13.0]	0.24 [6.1]	1.60 [40.6]	#10-32	0.1 [0.04]	20 [0.1]
G1114-8	0.24 [6.1]	0.47 [12.0]	0.79 [20.0]	0.32 [8.1]	1.94 [49.3]	5/16-18	0.13 [0.06]	500 [2.5]
G1114-9	0.24 [6.1]	0.47 [11.9]	0.79 [20.0]	0.32 [8.1]	2.08 [52.8]	1/2-20	0.14 [0.07]	2,000 [10]

G1116-X Instron-compatible Eye Ends



Model No.	ØA	ØB	C	D	E	Weight lb [kg]	Capacity lbF [kN]
G1116-1	0.1 [2.6]	0.23 [5.9]	0.51 [13.0]	0.24 [6.0]	2.17 [55.2]	0.15 [0.07]	20 [0.1]
G1116-3	0.24 [6.0]	0.47 [12.0]	0.79 [20.0]	0.32 [8.0]	2.45 [62.2]	0.18 [0.08]	2,000 [10]

G1080 Anchor Pin



Weight lb [kg]
0.06 [0.03]

G1088 Spanner Wrench

